

MAKENA II



PULSE

SHOWERSPAS

Makena II Showerspa

Model #1015-II

Installation Instructions



Makena II ShowerSpa Model #1015-II

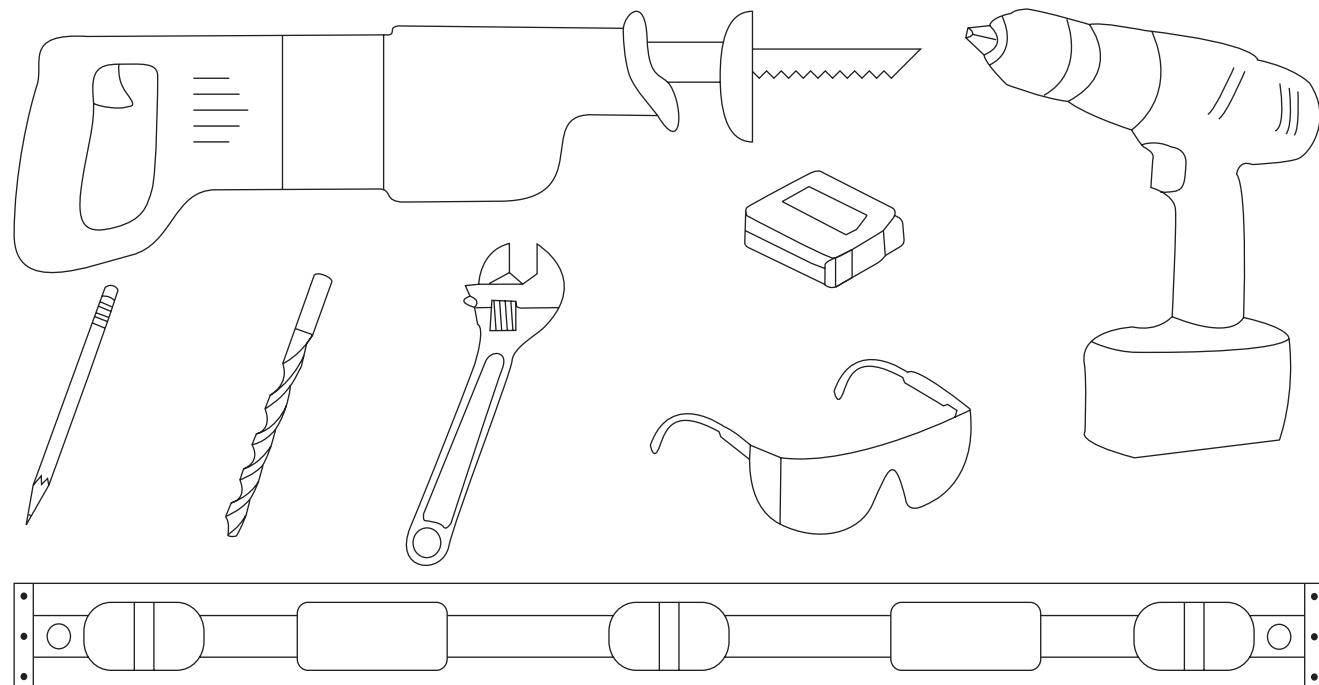
Please Read The Following Instructions COMPLETELY Before Beginning!

Our goal is to ensure your installation goes smoothly and safely. Please read these instructions carefully and follow recommendations for plumbing and mounting. **After reading instructions, if you determine you do not have the necessary skills and/or tools, we recommend that a licensed plumbing contractor complete the installation.**

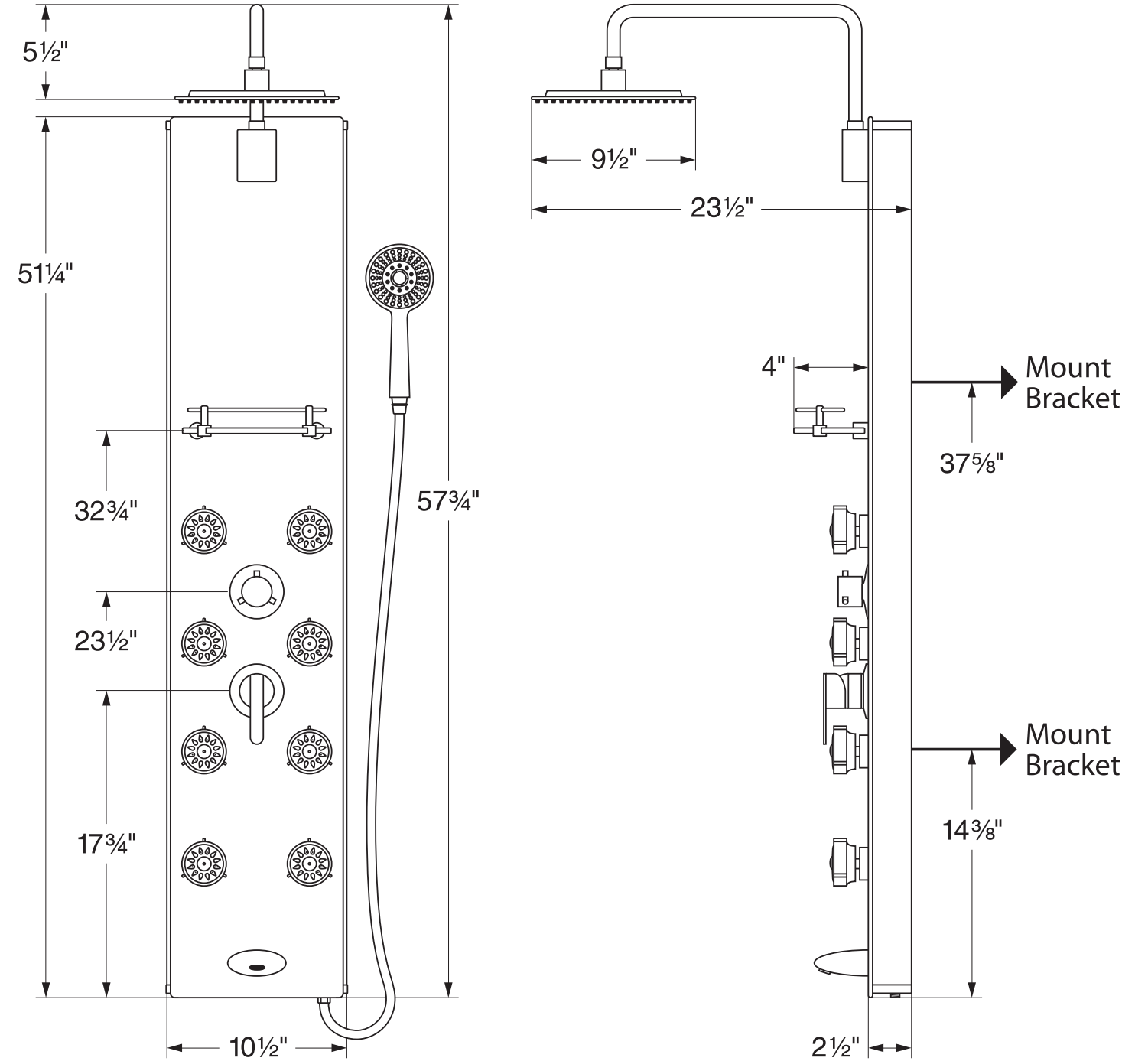
If you encounter any problems during installation CALL TECHNICAL SUPPORT TOLL FREE at 888-785-7320 Before returning your ShowerSpa to the store

You Will Need The Following Tools

- | | |
|--------------------------------------|----------------------------------------------------|
| Soft pencil or felt pen to mark tile | Reciprocating saw w/metal cutting blade (Sawzall®) |
| Safety glasses | Channel locks or adjustable wrench |
| Tape measure | Drill (Preferably cordless) |
| Level | 1/4" Masonry drill bit |

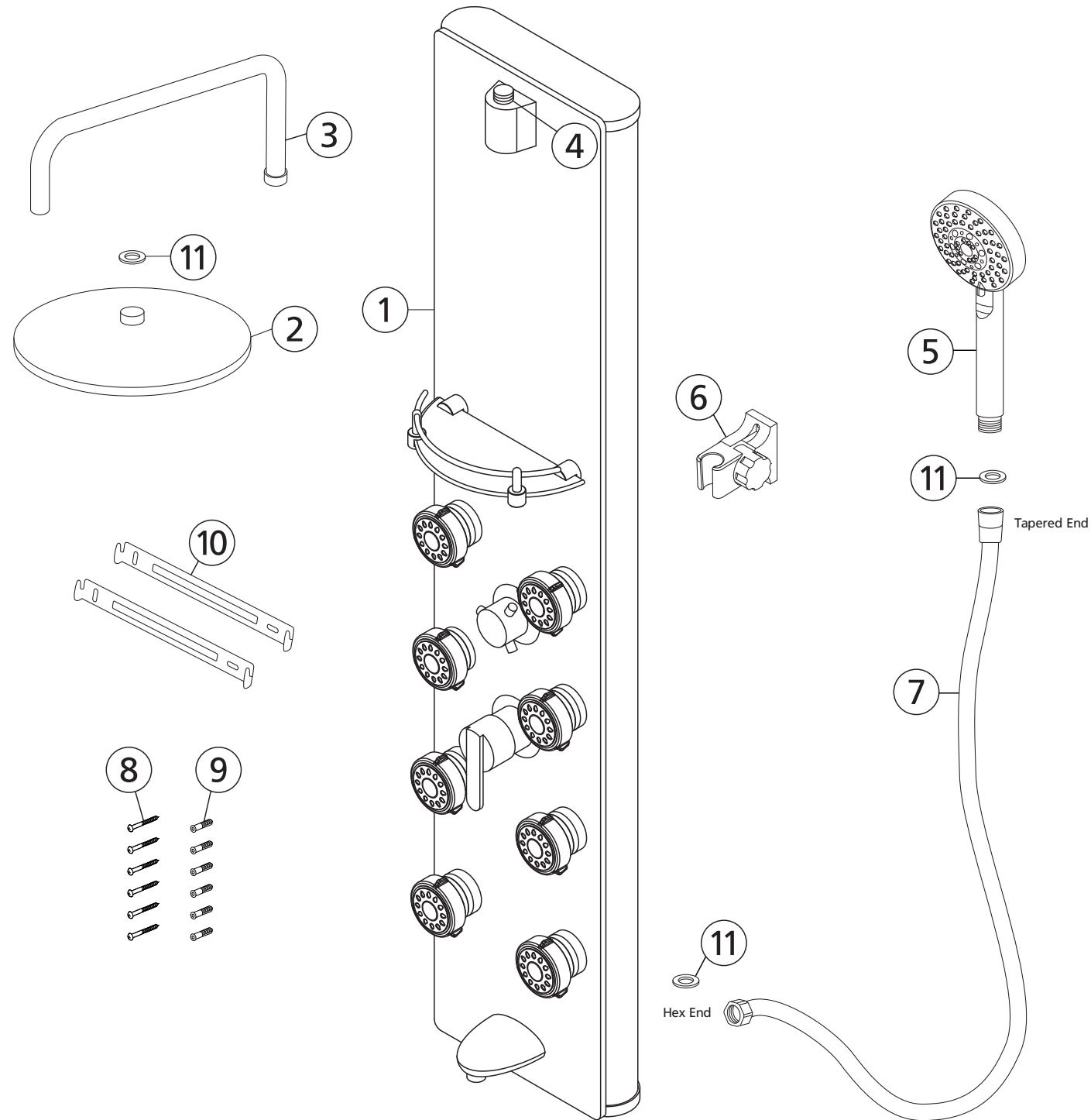


Product Dimensions



Parts Legend

- | | | |
|-----------------------|----------------------------|----------------------------|
| 1. ShowerSpa | 5. Handheld Shower | 9. Nylon Anchor..... (6) |
| 2. Shower Head | 6. Handheld Holder | 10. Mount Bracket..... (2) |
| 3. Shower Arm | 7. Handheld Hose | 11. Rubber Washer..... (3) |
| 4. Shower Arm Bracket | 8. Mounting Screw..... (6) | |



Assembly

After installing your ShowerSpa, some assembly is required prior to use.

Handheld Holder Installation

1. Locate the desired mounting location of the handheld holder (6) and mark the holes. We recommend placing it near the height of the glass shelf.
2. Drill $\frac{1}{4}$ " holes through wall surface using a masonry bit. Drill slowly through wall surface to avoid cracking and chipping.
3. Make certain the opening in the handheld holder (6) tapers toward the floor when you mount it to the wall. Insert anchors (9) into holes in wall and securely tighten handheld holder to wall with mounting screws (8).

NOTE—To adjust angle of handheld shower, loosen knob, gently rotate toward you or toward the wall, then tighten knob.

Connect The Handheld Shower

1. Insert rubber washer (11) into hexagon shaped end of handheld hose (7) and attach to threaded outlet on bottom of ShowerSpa. **DO NOT OVERTIGHTEN.**
2. Insert rubber washer (11) into tapered end of handheld hose (7) and attach to handheld shower (5). Place into handheld holder.
3. Place the female threaded end of the shower arm (3) over the male threads on top of the shower arm bracket (4). Hand tighten until secure. The shower arm should swing freely from side to side for ideal positioning.

Connect The Shower Head

1. Check that the rubber washer (11) is in shower head (2) and screw shower head onto the shower arm (3).

Installation—New Construction

Extensive Remodel—New Finished Wall Surface

1. Prior to sheetrock, stub-out $\frac{1}{2}$ " hot and cold supply lines beyond finished wall surface, 4" on center. For best results, attach 90° brass fittings (available at most hardware stores) to the stub-outs maintaining $\frac{1}{4}$ "– $\frac{1}{2}$ " of space between the fitting and finished wall. The open end of the 90° brass fittings should point down so the supply lines attach parallel to the wall.¹
2. The height of the stub-outs is completely dependent upon the desired mounting height of your Makena II ShowerSpa. For a person 5'8"–6'2" we recommend the stub-outs be 39" from finished floor.²
3. Before installation, make certain that water is **COMPLETELY TURNED OFF** to both hot & cold supply lines of shower.
4. Mark the location of holes for the mounting brackets, making sure brackets are level. For a person 5'8"–6'2" tall, we recommend putting the top bracket $65\frac{5}{8}$ " from finished floor height.³ The bottom bracket should be positioned exactly $23\frac{1}{4}$ " below the top bracket with the holes plumb to the upper bracket holes.

NOTE—Before drilling holes for the brackets, make certain ShowerSpa will rest flat against finished wall surface at the desired mounting height with supply lines connected.

5. Drill $\frac{1}{4}$ " holes through wall surface using a masonry bit. Drill slowly through wall surface to avoid cracking and chipping. Insert anchors and securely screw brackets to wall. Before connecting hot and cold supply lines, hang ShowerSpa on wall, check the height and make sure ShowerSpa is flush against wall with a secure fit.
6. Connect hot and cold water supply lines to stub-outs—**DO NOT OVERTIGHTEN.** Before mounting the ShowerSpa, check fittings to make sure they are secure. Turn on water and check for leaks. When fittings are leak-free, mount ShowerSpa on wall.
7. **OPTIONAL**—Seal around body of ShowerSpa with a bead of silicone. **DO NOT SEAL BOTTOM.**

¹ Additional fittings may be necessary depending on your specific situation.

² The desired mounting height of ShowerSpa determines height of the $\frac{1}{2}$ " stub-outs. The stub-outs must be located at a height allowing supply lines to be connected and body of ShowerSpa to rest flat against finished wall.

³ The mounting height may vary depending on several factors (i.e. location of supply lines, interference from ShowerSpa plumbing, personal preference, etc.)

Installation—Retrofit

Existing Shower Replacement

NOTE—In a remodel in which you are not replacing the finished wall surface (tile, or backing material) it is advisable to purchase a PULSE ShowerSpa model that covers the location of your existing valve assembly—either single handle or two-handle type. If your PULSE ShowerSpa model does not cover this area, you will need to either choose another PULSE ShowerSpa model that does or make necessary repairs with appropriate materials (i.e. wallboard, tile, fiberglass, etc).

1. **TURN OFF WATER SUPPLY TO SHOWER.** Typically there is a gate valve where the water main enters the house. Turning the water valve off at hot water tank does not turn off cold water supply line.
2. Make certain water is completely turned off to both hot & cold supply lines of Shower. Turn shower valve on, both hot and cold, to **VERIFY WATER SUPPLY IS OFF.** Open a sink faucet in the bathroom in which you are installing the ShowerSpa to relieve any pressure and help adequately drain shower supply lines.
3. Remove handle(s) and trim cover(s) of your existing shower valve, exposing valve body in wall.
4. Locate hot and cold supply lines entering valve. Using a reciprocating saw with sharp metal saw blade, cut existing valve out, preserving threads of the supply lines entering valve. You should also cut the riser within wall supplying the existing shower head. Carefully twist and remove valve.
5. Unscrew old shower head from shower arm, then unscrew shower arm from wall.
6. Water lines must be extended to the outside of wall cavity, 4" on center. For best results, attach 90° brass fittings (available at most hardware stores) to the stub-outs maintaining ¼"–½" of space between the fitting and finished wall. The open end of the 90° brass fittings should point down so the supply lines attach parallel to the wall.⁴
7. Make certain that when you connect to the stub-outs they **DO NOT INTERFERE** with the backside of the ShowerSpa after mounting.⁵
8. Mark the location of holes for mounting brackets, making sure brackets are level. For a person 5'8"–6'2" tall, we recommend putting the top bracket 65 ⅝" from finished floor height.⁵ The bottom bracket should be positioned exactly 23 ¼" below the top bracket with the holes plumb to the upper bracket holes. Before drilling holes for bracket, make certain ShowerSpa will rest flat against finished wall surface at desired mounting height with supply lines connected.
9. Drill ¼" holes through wall surface using a masonry bit. Drill slowly through wall surface to avoid cracking and chipping. Insert anchors and securely screw brackets to wall. Before connecting hot and cold supply lines, hang the ShowerSpa on wall, check the height and make sure the ShowerSpa is flush against the wall with a secure fit.
10. Connect hot and cold water supply lines to stub-outs—**DO NOT OVERTIGHTEN.** Before mounting the ShowerSpa, check fittings to make sure they are secure. Turn on water and check for leaks. When fittings are leak-free, mount ShowerSpa on wall.
11. **OPTIONAL**—Seal around body of ShowerSpa with a bead of silicone. **DO NOT SEAL BOTTOM.**

⁴ Additional fittings may be necessary depending on your specific situation.

⁵ The mounting height can vary depending on several factors (i.e. location of supply lines, old valve access area, interference from ShowerSpa plumbing, personal preference, etc).

Pressure Balance Mixing Valve

The Makena II ShowerSpa is equipped with a cUPC® pressure balance mixing valve to adjust water flow and temperature. The valve automatically adjusts to changes in water pressure (i.e. someone flushes a toilet), keeping your temperature constant and preventing accidental scalding. To turn on the ShowerSpa simply raise the handle until the desired flow rate is achieved. Rotate to the right to decrease temperature and rotate to the left to increase temperature. Be sure that the handle is in the OFF position when you are done using your ShowerSpa so that pressure does not build up inside the unit.

Brass Diverter

The brass diverter is used to change between ShowerSpa functions. Simply rotate the diverter knob either direction to select the desired function—shower head, handheld shower, body jets or tub spout.

Body Jets

The Makena II ShowerSpa comes with eight dual-function body jets. Our new Select-A-Jet™ feature allows you to run between two and eight body jets at once. The top two jets are always on but the other six jets can be turned off independently, increasing pressure to the remaining jets in use. Additionally, the jets have both a power spray and fine mist function. Simply rotate the face of the jet to select the different functions or turn them off.

Shower Arm

The shower arm on the Makena II has a unique pivoting feature that allows the shower head to be positioned in the ideal location. Gently press on the side of the shower head to reposition.

Hand Shower

The hand shower has three individual functions and two combo functions. Rotate the head of the hand shower left or right to change between the power spray, pulsating massage or gentle cascade functions.

Care and Maintenance

Always blot dry any water from the surface of your ShowerSpa. To help protect your ShowerSpa from hard water stains and mineral deposits, use an auto spray wax periodically and wipe down your ShowerSpa after each use. Allowing water to evaporate on the surface can lead to a buildup of mineral deposits. Cleaning with a damp, nonabrasive sponge and drying with a clean soft cloth should help keep your ShowerSpa looking beautiful.

R E M E M B E R

NEVER use any abrasives or harsh cleaners!

Clean with mild soap and water ONLY!

*To keep your ShowerSpa in pristine condition,
DRY AFTER EACH USE!*

Manufacturer's Limited Warranty

Usage

PULSE Shower Spas, Inc. warrants that all ShowerSpas are free from defect in workmanship and/or materials for a period of three years from the date of purchase. This warranty extends to the original purchaser only and is non-transferable.

This warranty does not cover, and PULSE ShowerSpas will not pay for conditions, malfunctions or damages resulting from (1) normal wear and tear, improper installation (whether performed by a contractor, service company or the consumer), improper maintenance, misuse, abuse, negligence, accident or alteration; (2) the use of abrasive, caustic or "no-rinse" cleaning agents; (3) the use of the product in any manner contrary to the product instruction; (4) conditions in the home such as excessive water pressure or corrosion.

Should any ShowerSpa be determined by PULSE ShowerSpas, Inc. to be defective in normal residential use, at the option of PULSE ShowerSpas, Inc., such product shall either be replaced or repaired and returned to the customer free of defects. The consumer shall give notice of any defects to PULSE ShowerSpas, Inc. within thirty days of discovery of such defect.

Proof of purchase (original sales receipt) must be provided to PULSE Shower Spas, Inc. with all warranty claims. PULSE ShowerSpas, Inc. is not responsible for labor charges, removal charges, installation or other consequential costs. In no event shall the liability of PULSE ShowerSpas, Inc. exceed the purchase price of the ShowerSpa.

Some states/provinces do not allow limitations of how long an implied warranty lasts or the exclusion or limitation of such damages, so these limitations and exclusions may not apply to you. This warranty gives the consumer specific legal rights. You may also have other rights that vary by state/province.

Follow manufacturers recommended installation. Use caution with children under ten years of age. Do not use ShowerSpa as a support device. Do not use harsh chemicals or abrasives when cleaning. Turn water supply off when servicing your ShowerSpa.



Pulse ShowerSpas, Inc. ~ 49 Hangar Way Suite A ~ Watsonville, CA 95076 ~ 888.785.7320
info@pulseshowerspas.com ~ www.pulseshowerspas.com ~ support@pulseshowerspas.com