



PULSE

SHOWERS PAS

Start your day in a whole new way!

KAUAI RAIN SHOWER SYSTEM

Model#: 1011

GENERAL DESCRIPTION:

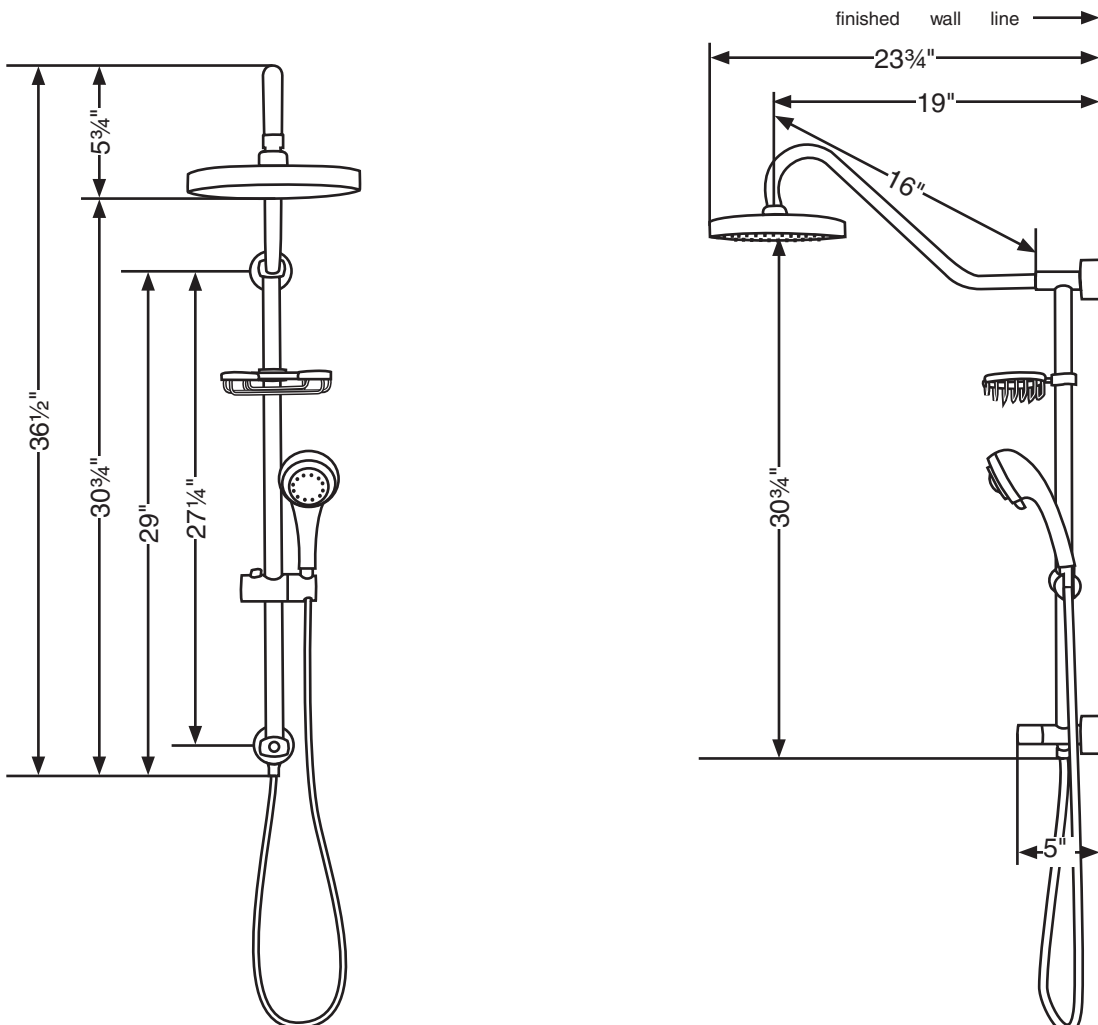
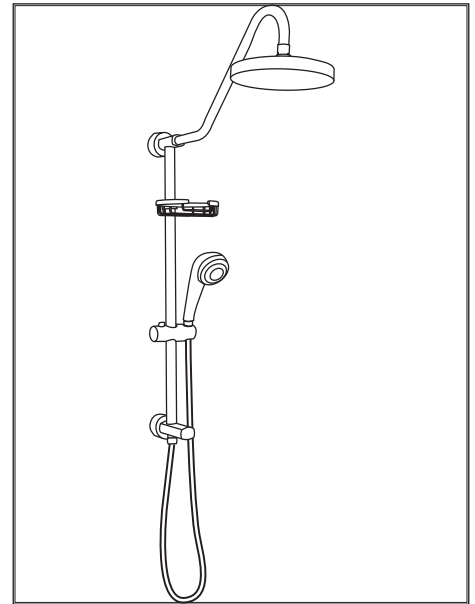
Designed to use your existing valve, it replaces the old shower head with an elegant rain shower head, multi-function hand-held shower wand with adjustable slide bar and wire basket soap dish. The diverter is located at the bottom of the slide bar, convenient for all heights. Easily installs in less than 20 minutes.

PRODUCT FEATURES

- All brass construction available with durable chrome finish or brushed nickel
- Replaces your existing shower head
- 8-in. rain style shower head
- Multi-function hand-held shower wand with stainless steel hose
- Installs in 20 minutes
- Utilizes your existing mixing valve
- Convenient diverter location makes it easy to switch between functions
- cUPC Approved

WARRANTY

Manufacturer's limited three-year warranty



The measurements shown are for reference only.

Rev. 05/10

TO ORDER PARTS CALL: 1-888-PULSE-20

www.pulshowerspas.com