

## Electrical Installation Instructions



**WARNING:** Elderly persons, pregnant women, or those suffering from heart disease, high blood pressure, diabetes, or who are otherwise not in good health, do not use this device unless directed to do so by a physician. Also, do not use steambath while under the influence of alcohol.

**IMPORTANT:** the warranty of this product is voided if it is used in a commercial application or for anything other than a residential steambath installation. All electrical connections must be performed by a licensed electrician in accordance with Local and National Electric Codes.

The Steamist “SM” generator operates with one or two controls appropriately located inside and/or outside the steamroom. It’s small enough in size to be tucked away using very little space in a vanity, closet, basement, or an insulated attic, but large enough to provide steam for most residential baths.

The Steamist “SM” Steambath Generator comes factory-assembled carefully wired and tested.

**NOTE:** The TC-110, TC-135, DSC-425, and DSP Controls are designed to work with all Steamist “SM” Generators.

### 1. Pre-Installation

- Proper electrical supply (208 or 240 Volt): See rating label on Steam Generator and Chart on back page. Determine proper size of wire, voltage, amperage, and phase for the Steam Generator. Only UL rated 90°C wire can be used.
- In-line fuse/circuit breaker required: Fuse/circuit breaker to be installed must be sized in accordance with chart on back page. Do NOT install a GFI (Ground Fault Interrupter) to this equipment (per article 210-8 in the National Electric Code).
- Route power supply cable to the location where the Steam Generator will be installed (before walls are closed).

### 2. Electrical Rough-In

- Route appropriate power cable to the location the Steam Generator will be installed. If receptacle is desired, mount the box for the receptacle near the location of the Steam Generator (See Figure 3: Typical Installation).

**NOTE:** The plug and receptacle require a rating of no less than 250V and proper amperage. Refer to chart on page 4 for amperage rating.

After the walls are complete, the Steam Generator and Control can be wired.

### 3. Steam Generator Electrical Installation

**WARNING:** All power to the steam generator must be turned off.

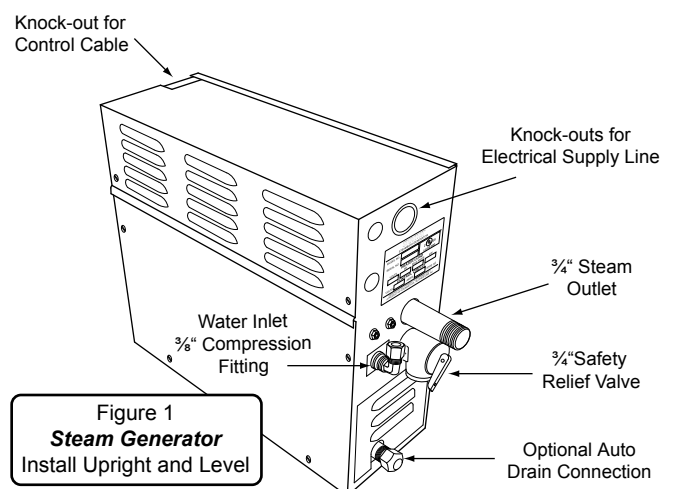
- Remove the six screws holding the electrical access cover and remove cover.
- Locate the supply line knockout. Mount proper strain relief into knockout hole.
- Strip back power cable’s outer insulation jacket eight inches and insert into steam generator. Strip back insulation ½” from the three (3) incoming wires (two power and one ground).
- Connect incoming ground wire to floating green pigtail labeled “GND.”

**CAUTION:** Be sure the ground wire does not come in contact with a live electrical part.

- Connect incoming power to floating black pigtail leads labeled “L1” and “L2.” (See illustration: Figure 2. Internal Electrical Connections).

### 4. Optional Auto Drain Valve Connection

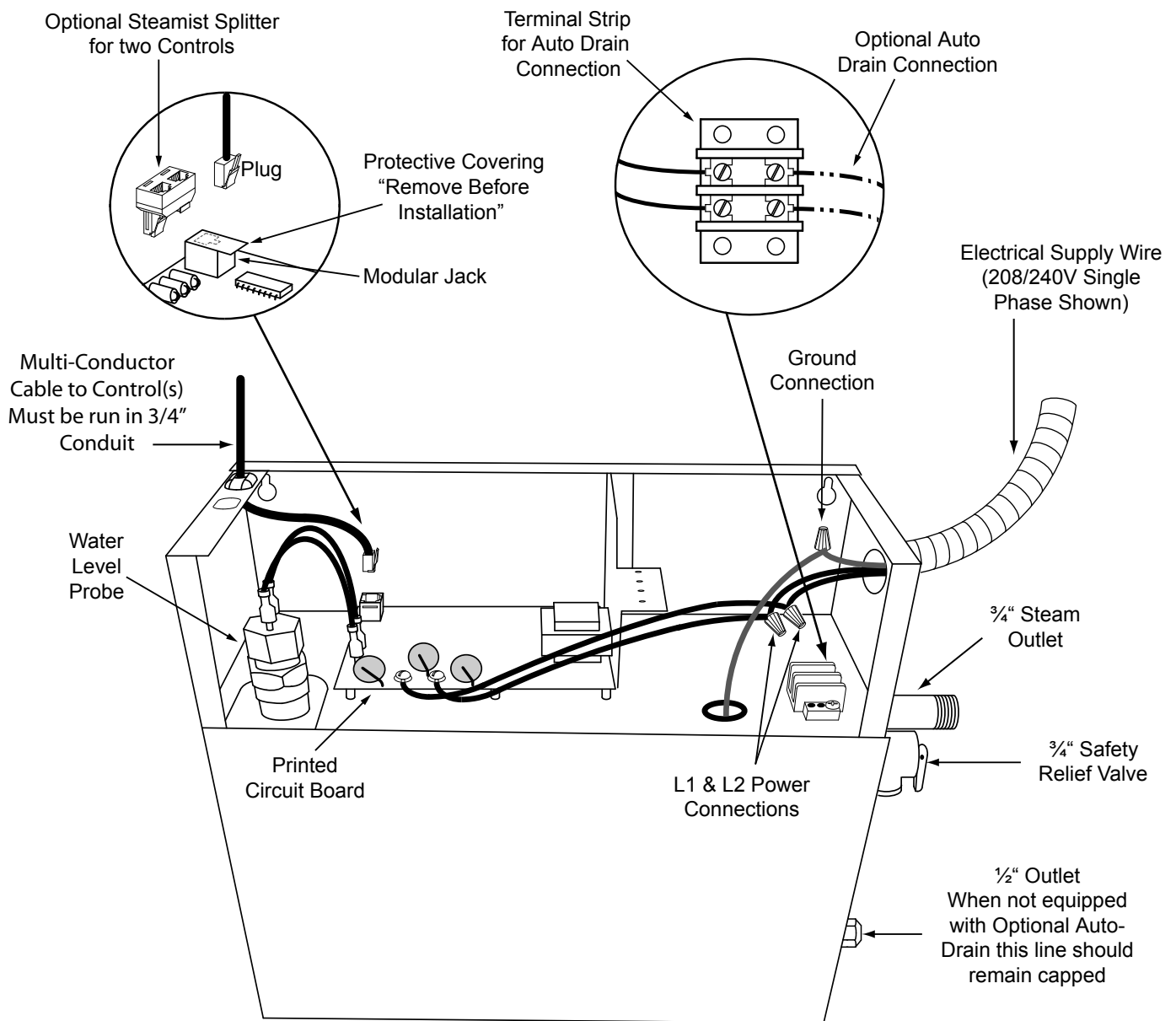
- Open knockout for Auto Drain Valve conduit connection.
- Route flexible conduit from valve to knockout and secure.
- Connect two wires from valve to the two place terminal strip provided (See figure 2).



## Checklist

**Before starting, insure that the conditions of the following checklist have been met:**

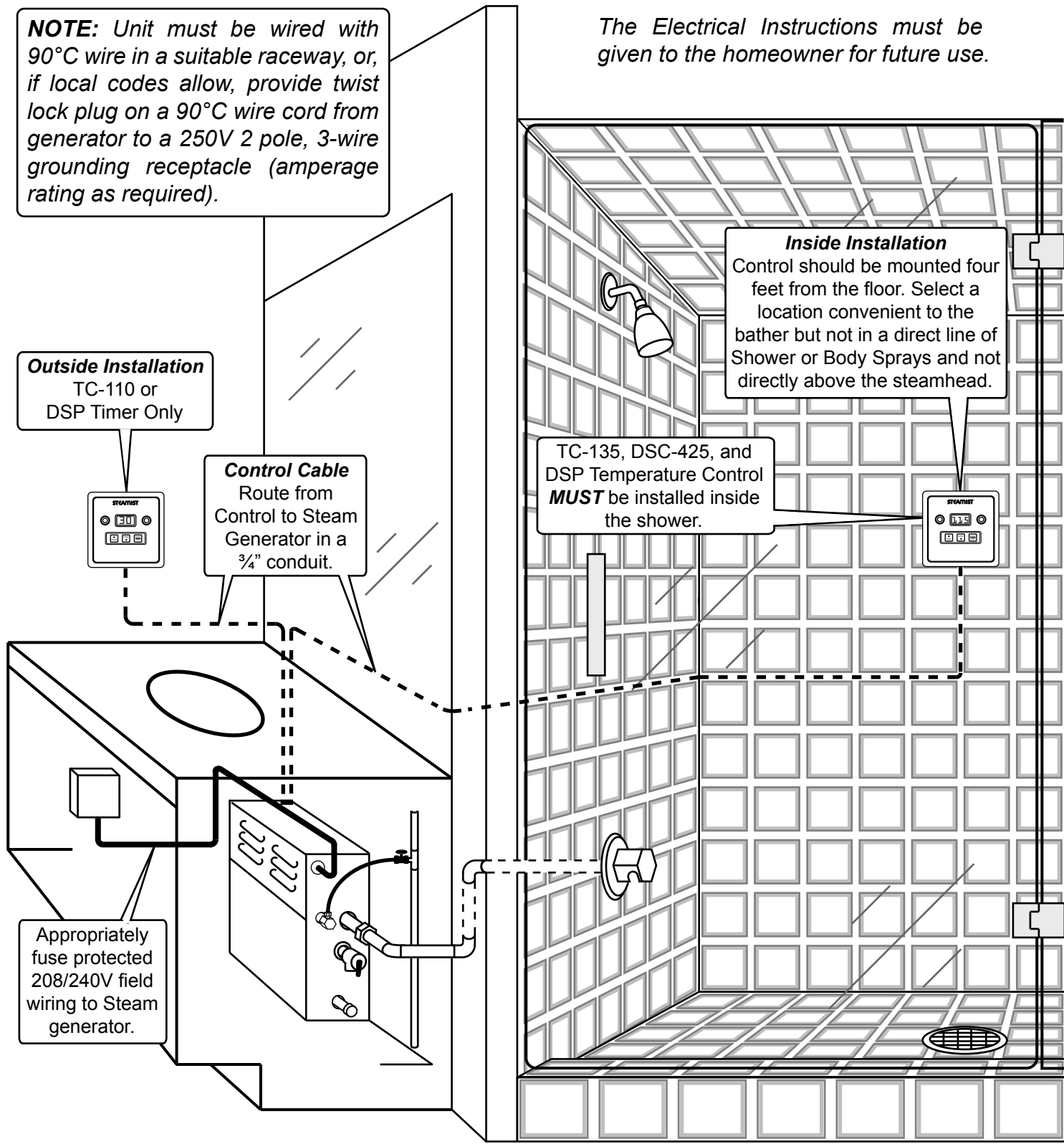
- |  |  |
|--|--|
| <ul style="list-style-type: none"> <li><input type="checkbox"/> The proper size Steam Generator has been selected by using the sizing page in the “Full Line Brochure,” “Pricing Guide,” or “The Generator Sizing Guide” in the Residential Systems/Steambath Product Information section of the Steamist web site - <a href="http://www.steamist.com">www.steamist.com</a>.<br/><b>CAUTION:</b> An improperly sized Steam Generator will NOT produce the amount of steam necessary to reach selected temperature.</li> <li><input type="checkbox"/> The proper voltage Steam Generator has been selected (i.e., 208V or 240V). A 208V generator operating on 240V will damage the heating element and a 240V Generator operating on 208V will result in a 25% loss of power.</li> </ul> | <ul style="list-style-type: none"> <li><input type="checkbox"/> The Steam Generator is installed in an upright position.</li> <li><input type="checkbox"/> The proper sized 90°C wire and circuit breaker have been used.</li> <li><input type="checkbox"/> The circuit breaker is <i>NOT</i> a GFI (Ground Fault Interrupter) type.</li> <li><input type="checkbox"/> The Steam Generator is properly grounded.</li> <li><input type="checkbox"/> The circuit breaker or disconnect switch is on.</li> <li><input type="checkbox"/> Water Supply is open to the Steam Generator.</li> </ul> |
|--|--|



**Figure 2: Major Electrical Components**

**NOTE:** Unit must be wired with 90°C wire in a suitable raceway, or, if local codes allow, provide twist lock plug on a 90°C wire cord from generator to a 250V 2 pole, 3-wire grounding receptacle (ampere rating as required).

The Electrical Instructions must be given to the homeowner for future use.



**Outside Installation**  
TC-110 or  
DSP Timer Only

**Control Cable**  
Route from  
Control to Steam  
Generator in a  
3/4" conduit.

**Inside Installation**  
Control should be mounted four  
feet from the floor. Select a  
location convenient to the  
bather but not in a direct line of  
Shower or Body Sprays and not  
directly above the steamhead.

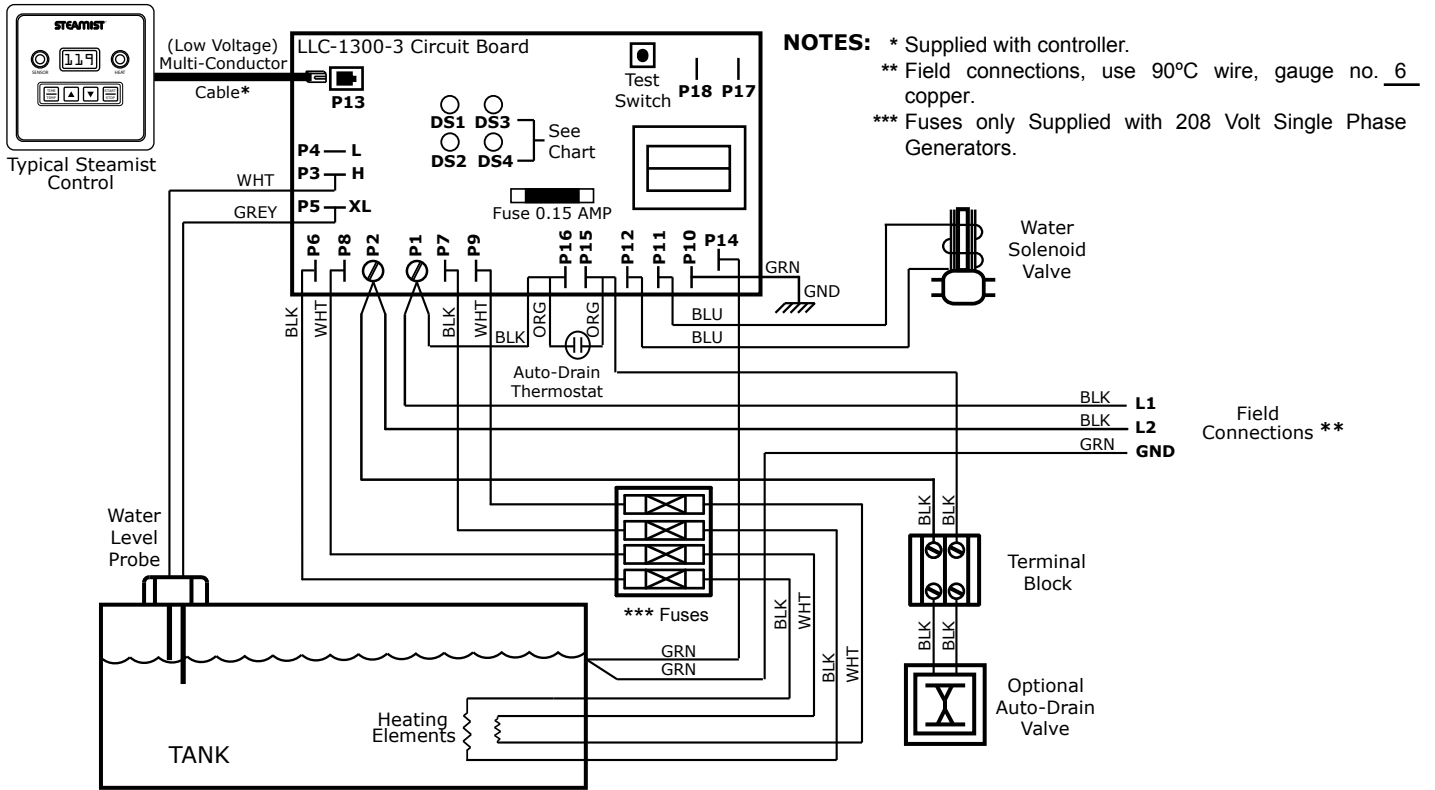
TC-135, DSC-425, and  
DSP Temperature Control  
**MUST** be installed inside  
the shower.

Appropriately  
fuse protected  
208/240V field  
wiring to Steam  
generator.

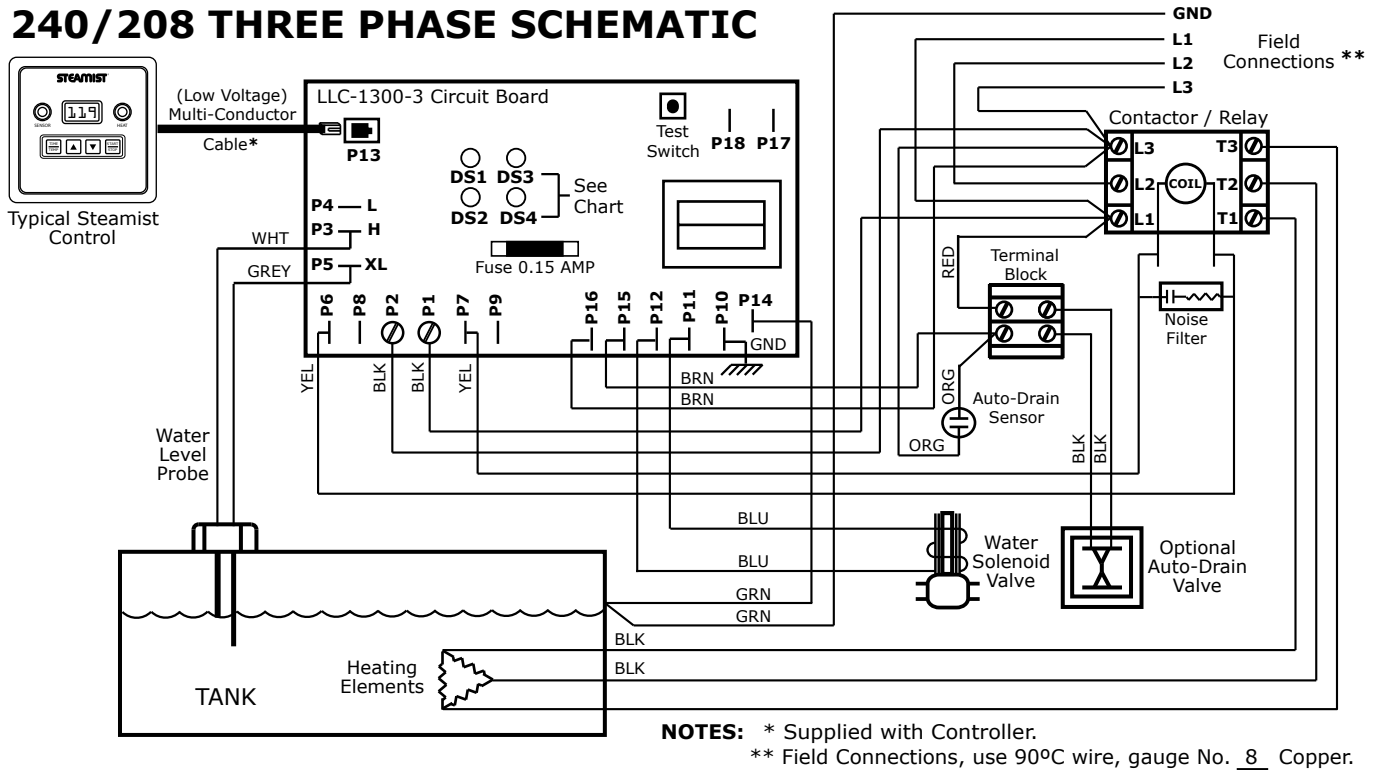
**IMPORTANT:** Run the Control Cable through a 3/4" conduit. Remove protective cap when making the final connection to Control.

Figure 3: Typical installation

# 240/208 VOLT SINGLE PHASE SCHEMATIC



# 240/208 THREE PHASE SCHEMATIC



SPECIFICATION CHART							
Model No.	Max. Cu. Ft. For Area Up To	KW	Volt	Phase	Amps	Wire Size 90°C Copper AWG	Line Fuse
SM-11	400	11	240	1	46	6	60
			208	1	53	6	70
			240	3	27	8	35
			208	3	31	8	40

LED COLOR CHART		
DS1	GRN	TIMER ON
DS2	YEL	HEAT ON
DS3	AMB	WATER FILL ON
DS4	RED	POWER ON



East Coast Office: 275 Veterans Blvd., Rutherford, NJ 07070 • Tel: (800) 577-6478 • Fax: (201) 933-0746

West Coast Office: 315 W. Pondera St., Suite F, Lancaster, CA 93534 • Tel: (800) 355-6478 • Fax: (661)940-1617