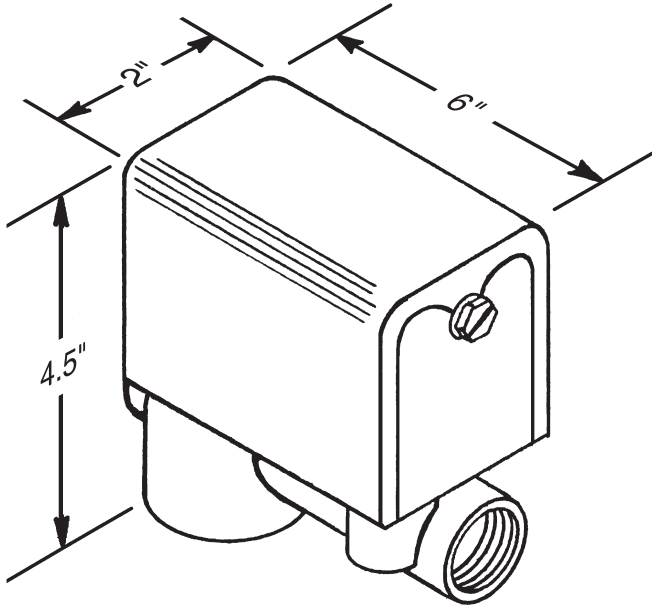




STEAMBATH

Model SM-900 Auto Drain



Electrical Information:

Connects to P15 & P16 terminals on Printed Circuit Board

Product Information:

Dimensions: 6"L x 2"W x 4.5"H

Normally Open (N/O)

Inlet & Outlet – .5" NPT Brass female thread

Installation Notes:

- Valve should be installed with Arrow on cover pointing away from generator
- Pipe Auto Drain outlet to empty into floor drain
- Outlet must have a minimum air gap of twice the diameter of the Auto Drain pipe.

Application Information:

Factory installed ONLY on models SM-46, SM-79, SM-4, SM-5, SM-7 & SM-8

Can be field or factory installed on models SM-11, SM-12, SM-15, SYS-18*, SYS-24* & SYS-30*

**Note: If installing auto drains the SYS-18, SYS-24 & SYS-30 require (2) valves.*

Product No. – Description

9060 – 240v – To be used with 240v generators

9061 – 208v – To be used with 208v generators