

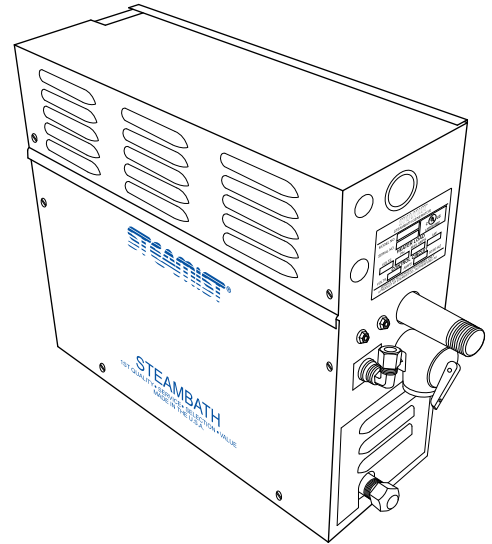
Steam Generator **Model SM-11**

Features:

- 5 years parts warranty - 2 years labor warranty
- Generator typically can be installed up to 25 ft from the bathing area
- Diagnostic LED Displays
- Stainless-Steel Construction
- Solid-State Circuitry

Codes/Standards:

- UL 499
- UL/CUL Listed
- City of LA - Approved
- City of New York - M.E.A. Approved



Steam Generator Specification Chart

| Model Number | Product Number | KW Rating | Max. Cu. Ft. Range * | Volts/Phase/Max. Amps | Wire Size 90°C Copper AWG | Line Fuse | Dimensions L x W x H |
|--------------|----------------|-----------|----------------------|-----------------------|---------------------------|-----------|----------------------|
| SM-11 | 1100 | 11 | 400 | 240/1/46 | 6 | 60 | 17½" x 6½" x 15½" |
| | 1101 | | | 208/1/53 | 6 | 70 | |
| | 1102 | | | 240/3/27 | 8 | 35 | |
| | 1103 | | | 208/3/31 | 8 | 40 | |

* Refer to sizing guidelines to accurately determine the proper size generator for the installation.

Required Equipment:

TC-110, TC-135, DSC-425, or DSP Controls

Required Electrical Service:

Dedicated circuit required: See Specification Chart for proper electrical requirements

Product Information:

Dedicated circuit required: See Specification Chart for proper electrical requirements

- Water Supply - ¾" Compression Fitting
- Steam Line - ¾" Brass BPT male thread
- Pressure Relief Valve - ¾" NPT female thread
- Drain Line - Capped ½" Brass NPT male thread (Auto-Drain Ready)

Generator:

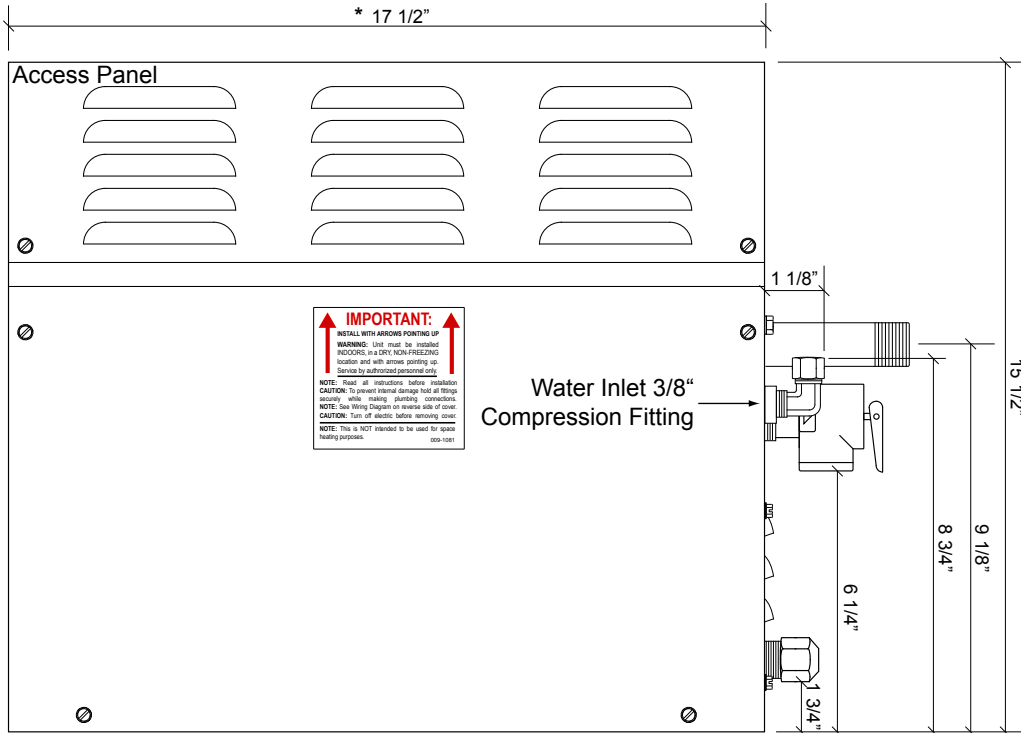
Weight - 40 lbs.

Installation Notes:

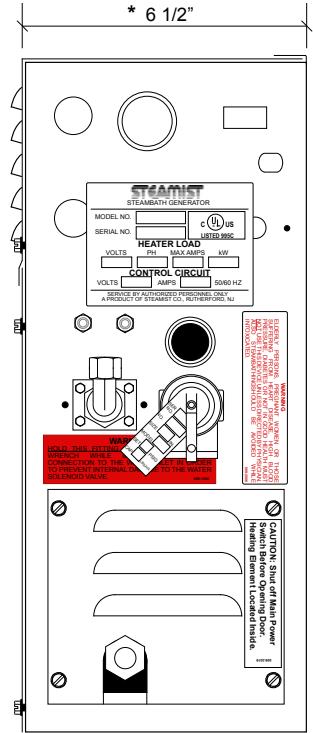
- Steam Generators can be typically mounted within 25ft of the bathing area.
- Steam Generators should be accessible for service.
- Do not install generators outside, in moist, humid area or in an area where parts may freeze or corrode.
- Steamhead to be mounted 18" above floor or 6" above rim of tub and as far from the seating area as possible.

Rough-In Notes:

Access: 28"W x 18"D x 20"H (35"W with Auto-Drain)

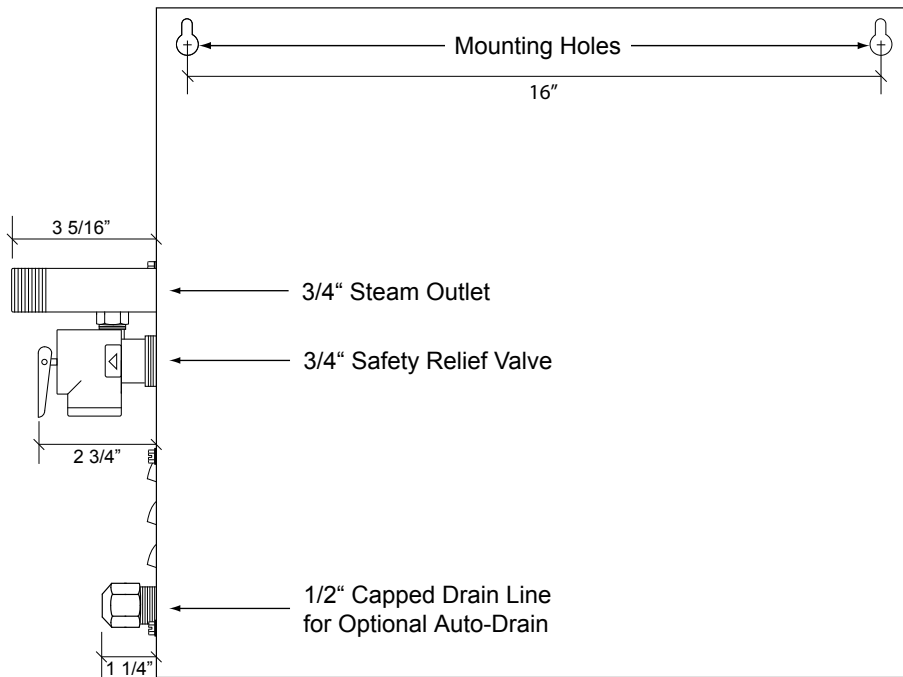


Front Access

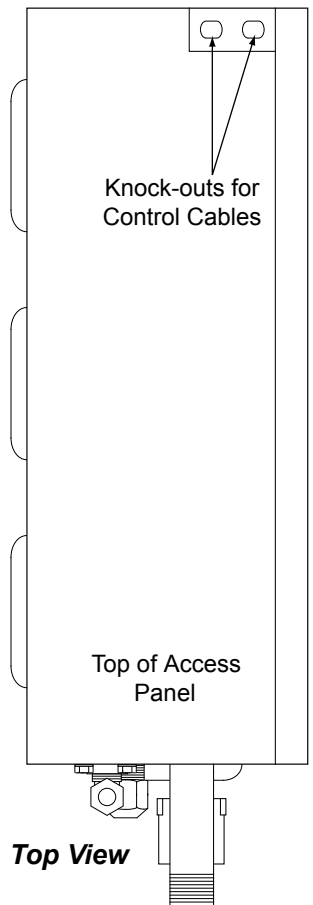


Front Side View

* Add 1/4" to the dimension for the louvres



Back View



East Coast Office: 275 Veterans Blvd., Rutherford, NJ 07070 • Phone: (800) 577-6478 • Fax: (201) 933-0746

West Coast Office: 315 West Pondera Street Suite F Lancaster, CA 93534 • Phone: (800) 355-6478 • Fax: (661) 940-1617