

# STERLING®

A KOHLER COMPANY

## Features

- 23-gauge stainless steel
- Includes SilentShield® sound-absorption technology
- Double (equal) bowl, ledge back sink
- Top-mount, rolled rim
- Satin deck and luster bowls
- 33" (83.8 cm) x 19" (48.3 cm) x 6" (15.2 cm)

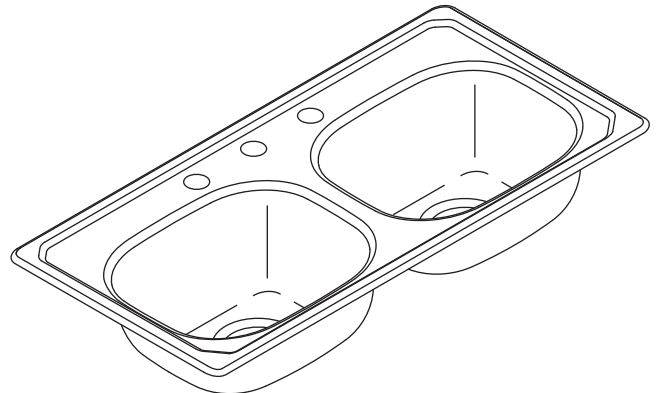
## Codes/Standards Applicable

Specified model meets or exceeds the following:

- ADA
- ASME A112.19.3/CSA B45.4
- ICC/ANSI A117.1

## TOP-MOUNT SPECIALTY KITCHEN SINK 14619

ADA



## Colors/Finishes

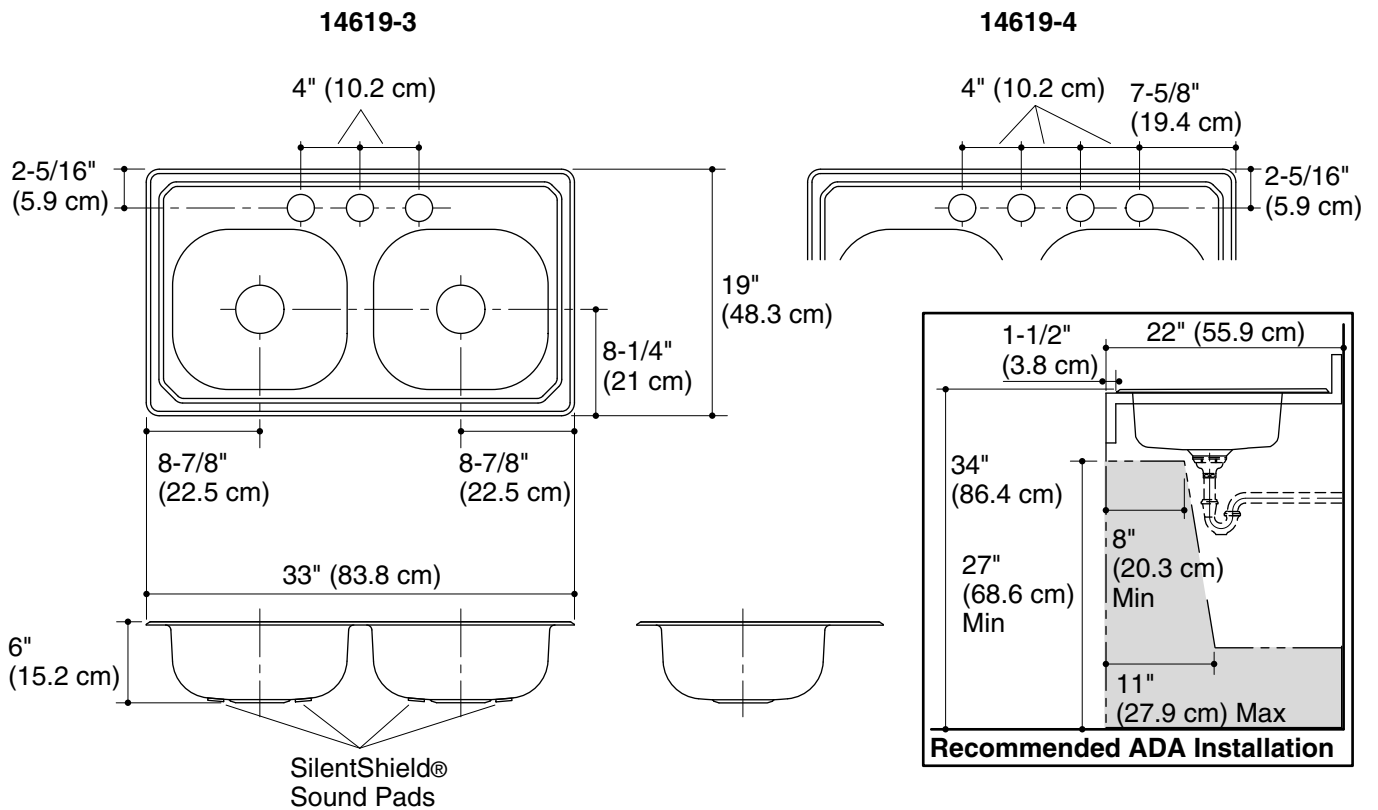
- NA: None applicable

## Specified Model

Model	Description	Faucet Holes	Quantity	Basin Depth	Colors/Finishes
14619-3	Top-mount kitchen sink (shown)	3	1	6" (15.2 cm)	<input type="checkbox"/> NA
14619-4	Top-mount kitchen sink	4	1	6" (15.2 cm)	<input type="checkbox"/> NA
14619-3F	Top-mount kitchen sink, multi-pack	3	50	6" (15.2 cm)	<input type="checkbox"/> NA
14619-4F	Top-mount kitchen sink, multi-pack	4	50	6" (15.2 cm)	<input type="checkbox"/> NA

## Technical Information

Fixture*:	
Sink	
Cutout size	32-1/2" (82.6 cm) x 18-1/2" (47 cm)
Drain holes	3-5/8" (9.2 cm) D.
Faucet holes	1-7/16" (3.7 cm) D.
* Approximate measurements for comparison only.	



## Product Diagram