

TOP-MOUNT KITCHEN SINK 11878

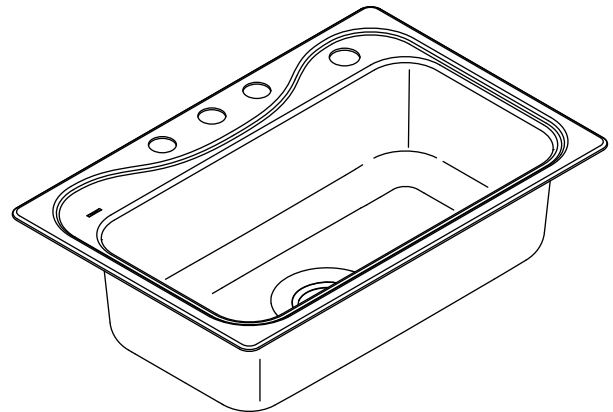
Features

- 19-gauge stainless steel
- Includes SilentShield® sound-absorption technology
- Single bowl, ledge back sink
- Top-mount, rolled rim
- Satin deck finish
- Luster bowl finish
- 33" (83.8 cm) x 22" (55.9 cm) x 9-1/4" (23.5 cm)

Codes/Standards Applicable

Specified model meets or exceeds the following:

- ASME A112.19.3/CSA B45.4
- State of Massachusetts



Colors/Finishes

- NA: None applicable

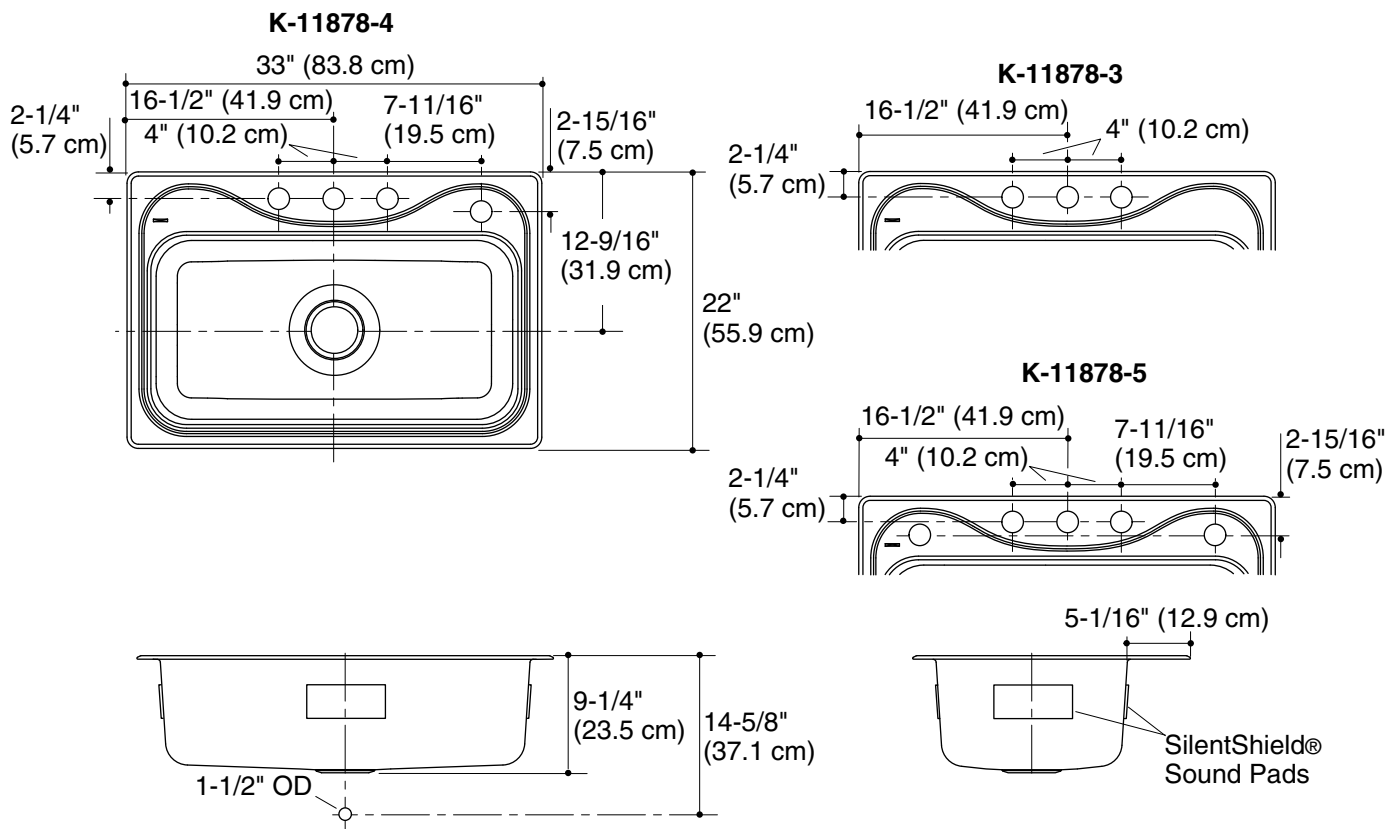
Specified Model

| Model | Description | Faucet Holes | Quantity | Bowl Depth | Colors/Finishes |
|---------|--------------------------------|--------------|----------|------------------|-----------------------------|
| 11878-3 | Top-mount kitchen sink | 3 | 1 | 9-1/4" (23.5 cm) | <input type="checkbox"/> NA |
| 11878-4 | Top-mount kitchen sink (shown) | 4 | 1 | 9-1/4" (23.5 cm) | <input type="checkbox"/> NA |
| 11878-5 | Top-mount kitchen sink | 5 | 1 | 9-1/4" (23.5 cm) | <input type="checkbox"/> NA |

SOUTHAVEN®

Technical Information

| | |
|---|--|
| Fixture*: | |
| Sink | |
| Bowl area | 29-1/4" (74.3 cm) x 15" (38.1 cm) |
| Water depth | 9" (22.9 cm) |
| Drain hole | 3-5/8" (9.2 cm) D. |
| Faucet holes | 1-7/16" (3.7 cm) D. |
| * Approximate measurements for comparison only. | |
| Cut-out template | 1032929-7 (Available at sterlingplumbing.com) |



Product Diagram