

# STERLING®

A KOHLER COMPANY

## TRANQUILITY®

### 42" (106.7 cm) OVAL BATH WHIRLPOOL 66050100

ALSO 66051100, 76050100, 76051100



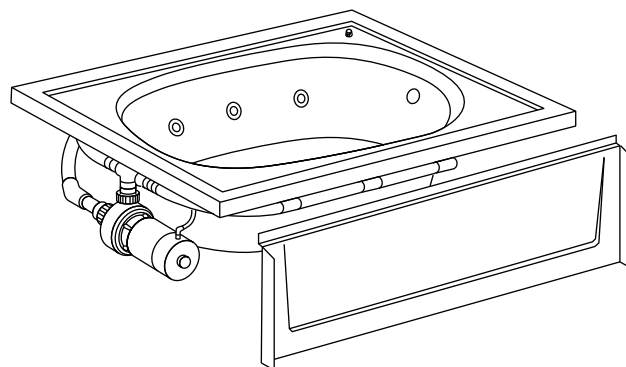
### Features

- Compression molded from our exclusive solid Vikrell® material
- Pump with air switch and grounding-type plug-in cord
- Available in either a high gloss or swirl gloss finish
- 10-year consumer/3-year commercial limited warranty
- 6 Jets with independent variable control
- 60" (152.4 cm) x 43-1/2" (110.5 cm) x 18-1/8" (46 cm) complete unit rough-in dimensions include flange
- 60" (152.4 cm) x 42" (106.7 cm) x 18-1/8" (46 cm) finished dimensions

### Codes/Standards Applicable

Specified model meets or exceeds the following:

- ASME A112.19.7
- ASTM E162
- ASTM E662
- CSA B45.5/IAPMO Z124
- HUD, UM Bulletin 73A
- UL 1795



### Colors/Finishes

- 0: White
- Other: Refer to Price Book for additional colors/finishes

### Specified Model

Model	Description	Colors/Finishes	
76051100	42" (106.7 cm) oval bath whirlpool, high gloss, without apron	<input type="checkbox"/> 0	<input type="checkbox"/> Other _____
76050100	42" (106.7 cm) oval bath whirlpool, high gloss, with apron	<input type="checkbox"/> 0	<input type="checkbox"/> Other _____
66051100	42" (106.7 cm) oval bath whirlpool, swirl gloss, without apron	<input type="checkbox"/> 0	<input type="checkbox"/> Other _____
66050100	42" (106.7 cm) oval bath whirlpool, swirl gloss, with apron	<input type="checkbox"/> 0	<input type="checkbox"/> Other _____
<b>Optional Accessories</b>			
71058100	Apron (high gloss)	<input type="checkbox"/> 0	<input type="checkbox"/> Other _____
61058100	Apron (swirl gloss)	<input type="checkbox"/> 0	<input type="checkbox"/> Other _____

# TRANQUILITY®

## Technical Information

Fixture*:	basin area	top area
Bathing well	42" (106.7 cm) x 23" (58.4 cm)	51" (129.5 cm) x 32-1/2" (82.6 cm)
To overflow	water depth	capacity
	11-1/4" (28.6 cm)	56 gal (212 L)
* Approximate measurements for comparison only.		

Pump:	V	Hz	A
1-speed	120	60	7

## Required Electrical Service

Dedicated circuit required, protected with Class A Ground-Fault Circuit-Interrupter (GFCI):	
Pump	120 V, 15 A, 60 Hz

## Installation Notes

Install this product according to the installation guide.

Pump is supplied with a grounding-type plug-in cord. Locate the outlet behind the whirlpool, and within 24" (61 cm) of the pump.

Pump access opening is required.

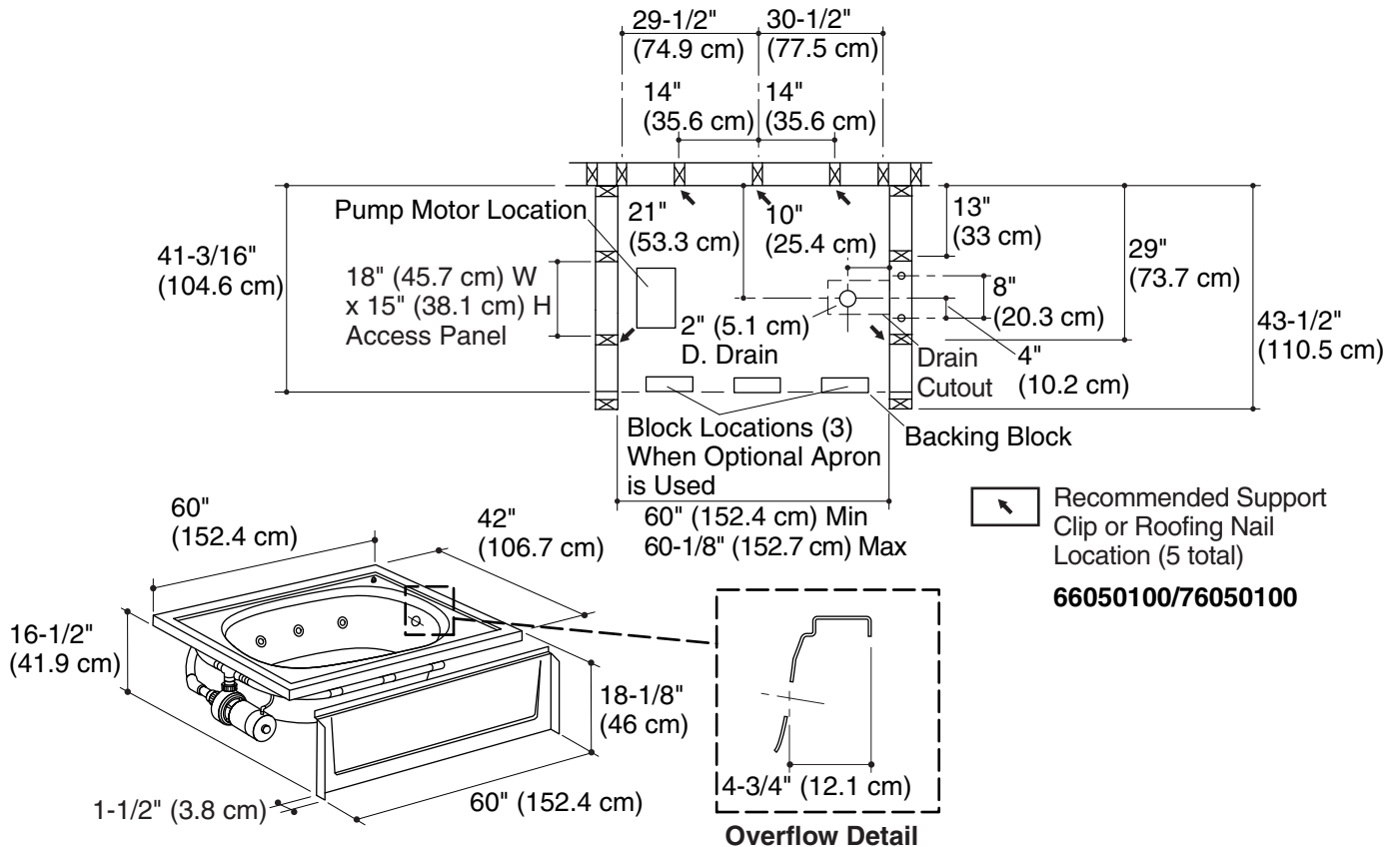
Do not disassemble the pump or piping as this could void the warranty.

Size the drain cutout to fit the drain assembly that will be used.

End stud positioning is critical if nailing-in flanges are used.

Double studding is recommended for pivot shower door installations.

Studs should be positioned roughly as shown for support clip or roofing nail installation.



## Product Diagram