

STERLING®

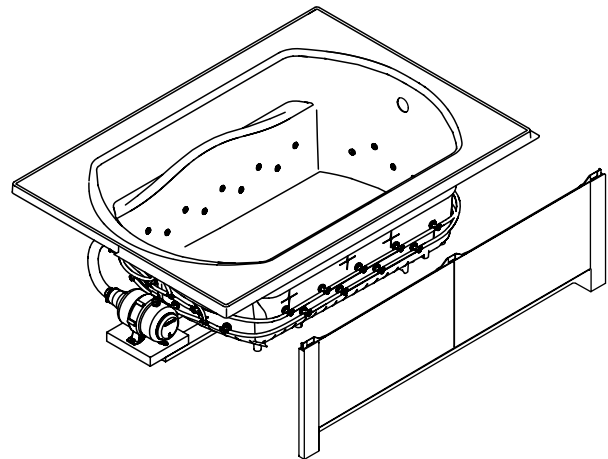
A KOHLER COMPANY

LAWSON™

Features

- Compression molded from our exclusive solid Vikrell® material
- Durable high-gloss finish
- 10-year consumer/3-year commercial limited warranty
- 3-speed blower with integrated 300 W heater, air switch control, and grounding-type plug-in cord
- 1-year limited warranty blower motor assembly
- 29 air jets
- Optional attached apron 76268100
- 60" (152.4 cm) x 42" (106.7 cm) x 20-5/16" (51.6 cm) unit rough-in dimensions include 5/16" (8 mm) tall nailing flange
- 60" (152.4 cm) x 42" (106.7 cm) x 20-5/16" (51.6 cm) complete unit finished dimensions

60" (152.4 cm) x 42" (106.7 cm)
DROP-IN AIR MASSAGE BATH
77281100



Codes/Standards Applicable

Specified model meets or exceeds the following:

- ANSI Z124.1.2
- ASME A112.19.7
- ASTM E162
- ASTM E662
- CSA B45
- UL 1795
- CSA C22 no. 218

Colors/Finishes

- 0: White
- Other: Refer to Price Book for additional colors/finishes

Specified Model

Model	Description	Colors/Finishes	
77281100	60" (152.4 cm) x 42" (106.7 cm) drop-in air massage bath	<input type="checkbox"/> 0	<input type="checkbox"/> Other _____
Optional Accessories			
76268100	Optional apron with access openings	<input type="checkbox"/> 0	<input type="checkbox"/> Other _____

Technical Information

Fixture*:	
Basin area:	
Bathing well	44" (111.8 cm) x 25-3/4" (65.4 cm)
Top area	51" (129.5 cm) x 32-3/4" (83.2 cm)
To overflow:	
Water depth	15-1/4" (38.7 cm)
Capacity	68 gal (257.4 L)
* Approximate measurements for comparison only.	

Blower:	V	Hz	A
3-speed	120	60	9.2

Required Electrical Service

Dedicated circuit required, protected with Class A Ground-Fault Circuit-Interrupter (GFCI):	
Blower	120 V, 15 A, 60 Hz

Installation Notes

Install this product according to the installation guide.

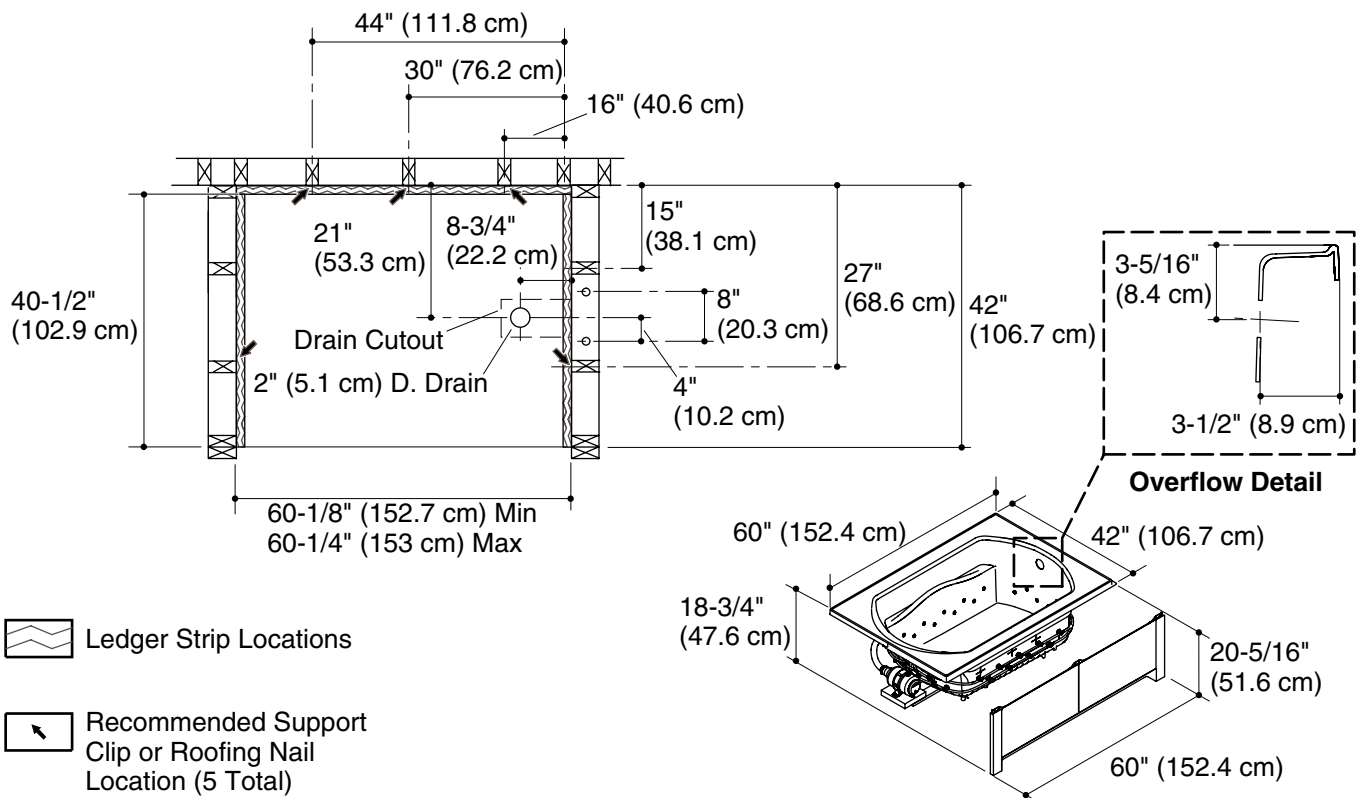
Blower is supplied with a grounding-type plug-in cord. Locate the outlet within 24" (61 cm) of the blower.

Blower service access is required.

Size the drain cutout to fit the drain assembly that will be used.

End stud positioning is critical if nailing-in flanges are to be used.

Studs should be positioned roughly as shown for support clip or roofing nail installation.



Product Diagram