

STERLING®

A KOHLER COMPANY

RIVERTON™

Features

- Vitreous china
- 5-year limited warranty
- Three-bolt, quick-connect installation system
- Less seat and supply
- 10" (254 mm) or 12" (305 mm) rough-in
- 2" (51 mm) glazed trapway
- ADA bowl also available - model 402532 only
- 8" (203 mm) x 9" (229 mm) water area
- 1.6 gpf (6 lpf)
- Insulated tank liner (402502-U, 402512-U and 402522-U)
- 27-1/4" (692 mm) x 18-1/8" (460 mm) x 29" (737 mm) [Round bowl]
- 29-1/4" (743 mm) x 18-1/8" (460 mm) x 29" (737 mm) [Elongated bowl]

Codes/Standards Applicable

Specified model meets or exceeds the following:

- ASME A112.19.2/CSA B45.1

LOW CONSUMPTION TOILET

402502

ALSO 402512, 402522, 402532



Model 402522



Model 402522-U

Colors/Finishes

- 0: White
- Other: Refer to Price Book for additional colors/finishes

Specified Model

| Model | Description | Included tank | Included bowl | Colors/Finishes | |
|---------------------|---------------------------------|------------------|---------------|----------------------------|--------------------------------------|
| 402502, 402502-U | Round toilet combination | 404522, 404522-U | 403015 | <input type="checkbox"/> 0 | <input type="checkbox"/> Other _____ |
| 402512, 402512-U | 10" (254 mm) toilet combination | 404522, 404522-U | 404210 | <input type="checkbox"/> 0 | <input type="checkbox"/> Other _____ |
| 402522, 402522-U | Elongated toilet combination | 404522, 404522-U | 403215 | <input type="checkbox"/> 0 | <input type="checkbox"/> Other _____ |
| 402532 | ADA toilet combination | 404522, 40452-2U | 403315 | <input type="checkbox"/> 0 | <input type="checkbox"/> Other _____ |

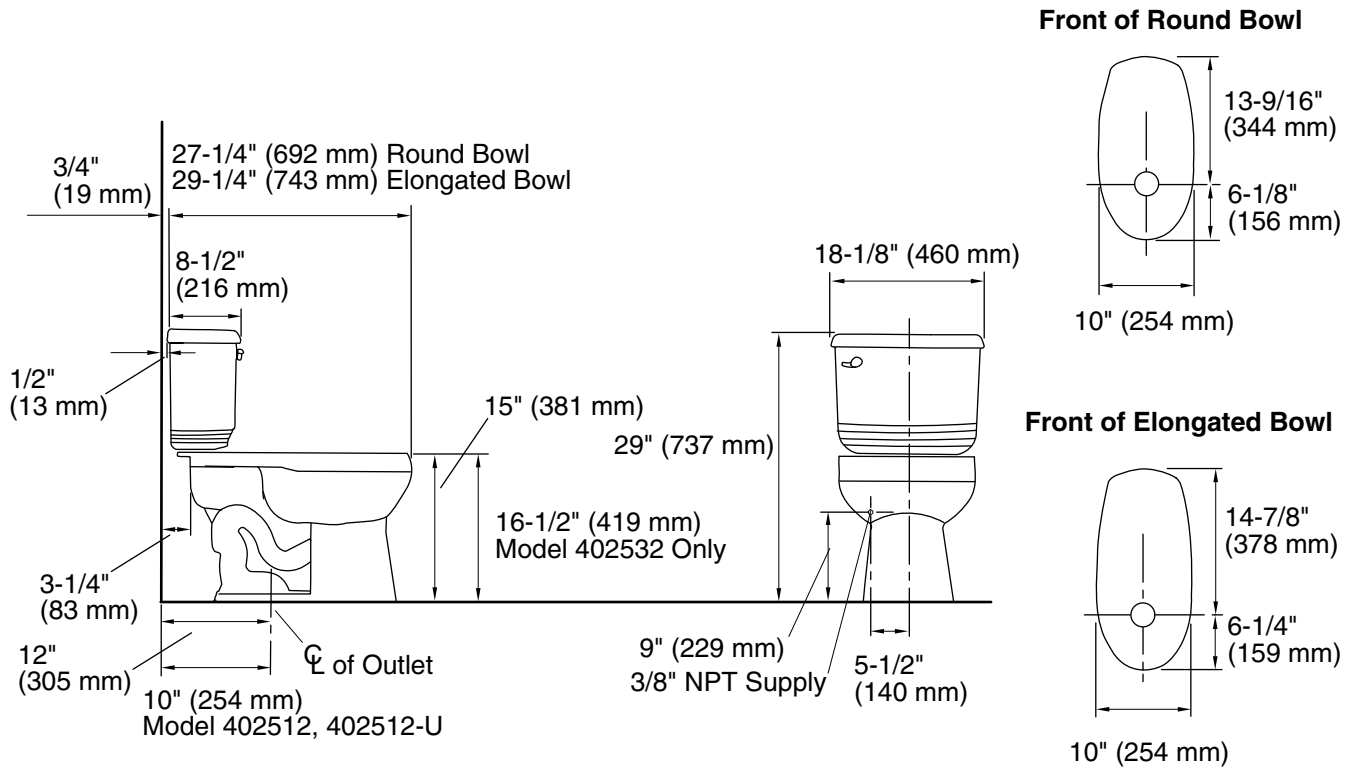
| Recommended Accessories | | | |
|-------------------------|---|----------------------------|--------------------------------------|
| K-4650 | Lustra™ elongated open-front toilet seat – for Accessibility compliance (model 402532 only) | <input type="checkbox"/> 0 | <input type="checkbox"/> Other _____ |
| K-4650-A | Lustra™ elongated open-front toilet seat with anti-microbial agent – for Accessibility compliance (model 402532 only) | <input type="checkbox"/> 0 | <input type="checkbox"/> Other _____ |

RIVERTON™

Technical Information

| | |
|------------------------|---------------------------|
| Fixture: | |
| Configuration | two-piece |
| Water per full flush | 1.6 gallons (6 L) |
| Passageway | 2" (51 mm) |
| Water area | 8" (203 mm) x 9" (229 mm) |
| Seat post hole centers | 5-1/2" (140 mm) |

| | |
|-------------------------|---------|
| Included components: | |
| Tank cover | 84624 |
| Trip lever | 84625 |
| Bolt cap accessory pack | 1013092 |



Product Diagram