

STERLING®

A KOHLER COMPANY

LAWSON™

Features

- Compression molded from our exclusive solid Vikrell® material
- Pump with air switch and grounding-type plug-in cord
- Durable high-gloss finish
- 10-year consumer/3-year commercial limited warranty
- 1-year limited warranty pump motor assembly
- Optional heater available (-H model)
- Jets with independent variable control
- 72" (1829 mm) x 42" (1067 mm) x 20-5/16" (516 mm) unit rough-in dimensions include flanges
- 72" (1829 mm) x 42" (1067 mm) x 20-5/16" (516 mm) finished dimensions

Codes/Standards Applicable

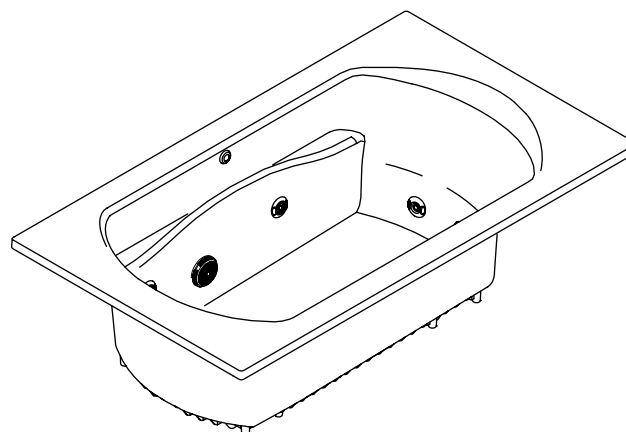
Specified model meets or exceeds the following:

- ANSI Z124.1.2
- ASME A112.19.7
- CSA B45
- CSA C22.2 No 218.2
- UL 1795
- ASTM E162
- ASTM E662

Specified Model

Model	Description	Colors/Finishes	
76311100	72" (1829 mm) x 42" (1067 mm) drop-in whirlpool bath	<input type="checkbox"/> 0	<input type="checkbox"/> Other _____
76311100-H	72" (1829 mm) x 42" (1067 mm) drop-in whirlpool bath with heater	<input type="checkbox"/> 0	<input type="checkbox"/> Other _____

72" (1829 mm) x 42" (1067 mm)
DROP-IN WHIRLPOOL BATH
76311100



Colors/Finishes

- 0: White
- Other: Refer to Price Book for additional colors/finishes

Technical Information

Fixture*:	
Bathing well:	
Basin area, bottom	50" (1270 mm) x 25-5/8" (651 mm)
Basin area, top	59" (1499 mm) x 33" (838 mm)
Weight	112 lbs (50.8 kg)
To overflow:	
Water depth	15-1/4" (387 mm)
Capacity	80 gal (302.8 L)
* Approximate measurements for comparison only.	

Pump:		V	Hz	A
1-speed		120	60	7
Heater:	kW	V	Hz	A
	1.5	120	60	12.5

Required Electrical Service

Dedicated circuit required, protected with Class A Ground-Fault Circuit-Interrupter (GFCI):	
Pump/control	120 V, 15 A, 60 Hz
Heater	120 V, 15 A, 60 Hz
Locate the outlet within 24" (610 mm) of the pump.	

Installation Notes

Install this product according to the installation guide.

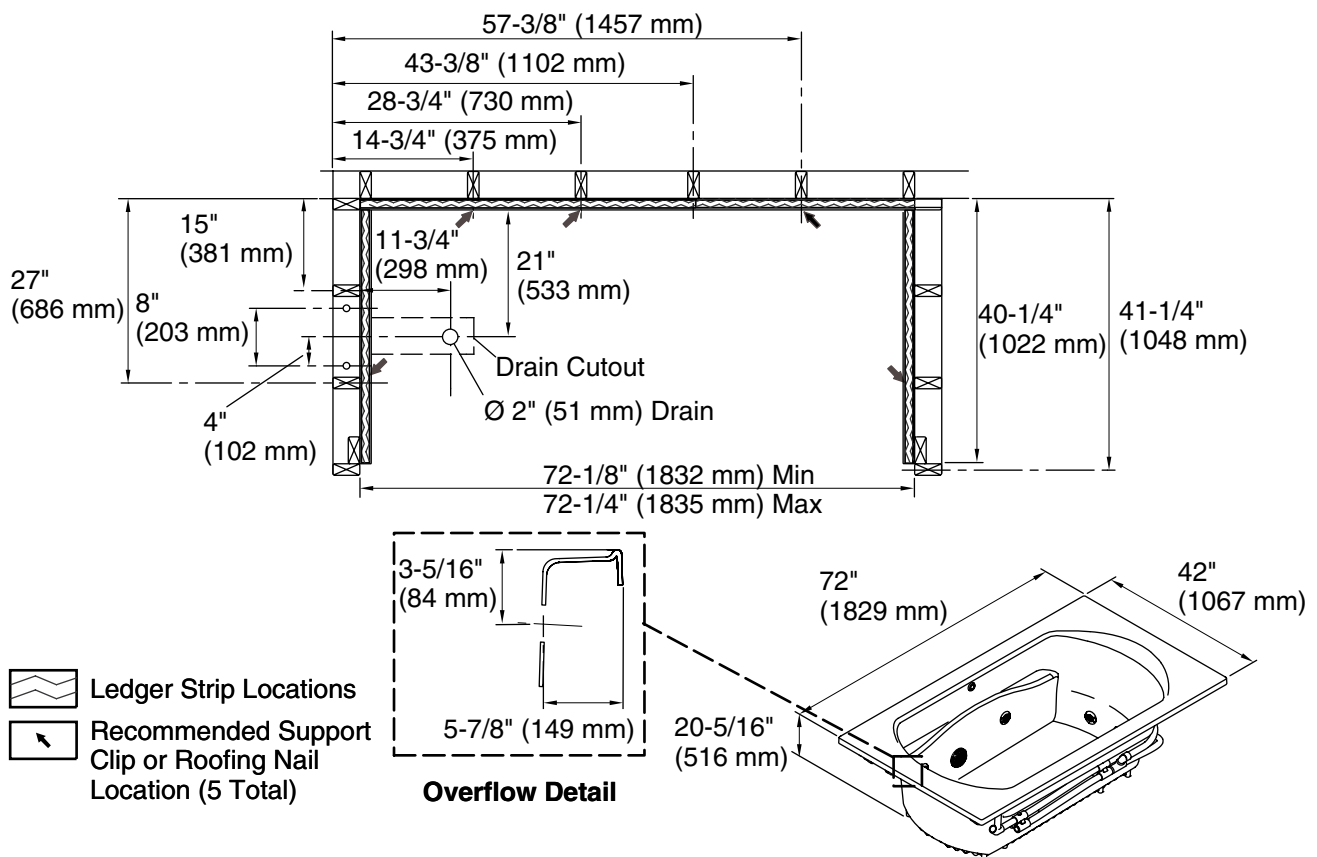
Pump is supplied with a grounding-type plug-in cord.

A pump motor/control access panel is required.

Size the drain cutout to fit the drain assembly that will be used.

End stud positioning is critical if nailing-in flanges are to be used.

Studs should be positioned roughly as shown for support clip or roofing nail installation.



Product Diagram