

# STERLING®

A KOHLER COMPANY

LAWSON™

## Features

- Compression molded from our exclusive solid Vikrell® material
- Durable high-gloss finish
- 10-year consumer/3-year commercial limited warranty
- 3-speed blower with integrated 300 W heater, air switch control, and grounding-type plug-in cord
- 1-year limited warranty blower motor assembly
- 29 air jets
- 72" (1829 mm) x 42" (1067 mm) x 20-5/16" (516 mm) unit rough-in dimensions include 5/16" (8 mm) tall nailing flange
- 72" (1829 mm) x 42" (1067 mm) x 20-5/16" (516 mm) complete unit finished dimensions

## Codes/Standards Applicable

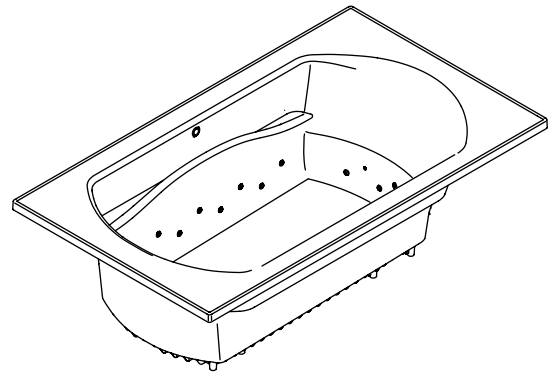
Specified model meets or exceeds the following:

- ANSI Z124.1.2
- ASME A112.19.7
- ASTM E162
- ASTM E662
- CSA B45
- UL 1795
- CSA C22 no. 218

## Specified Model

Model	Description	Colors/Finishes	
77311100	72" (1829 mm) x 42" (1067 mm) drop-in air massage bath	<input type="checkbox"/> 0	<input type="checkbox"/> Other _____

72" (1829 mm) x 42" (1067 mm)  
**DROP-IN AIR MASSAGE BATH**  
**77311100**



## Colors/Finishes

- 0: White
- Other: Refer to Price Book for additional colors/finishes

## Technical Information

Fixture*:	
Bathing well:	
Basin area, bottom	50" (1270 mm) x 25-5/8" (651 mm)
Basin area, top	59" (1499 mm) x 33" (838 mm)
Weight	92 lbs (41.7 kg)
To overflow:	
Water depth	15-1/4" (387 mm)
Capacity	80 gal (352.3 L)
* Approximate measurements for comparison only.	

Blower:	Heater	V	Hz	A
3-speed	300 W	120	60	9.2

## Required Electrical Service

Dedicated circuit required, protected with Class A Ground-Fault Circuit-Interrupter (GFCI):	
Blower	120 V, 15 A, 60 Hz
Blower is supplied with a 24" (610 mm) grounding-type plug-in cord.	

## Installation Notes

Install this product according to the installation guide.

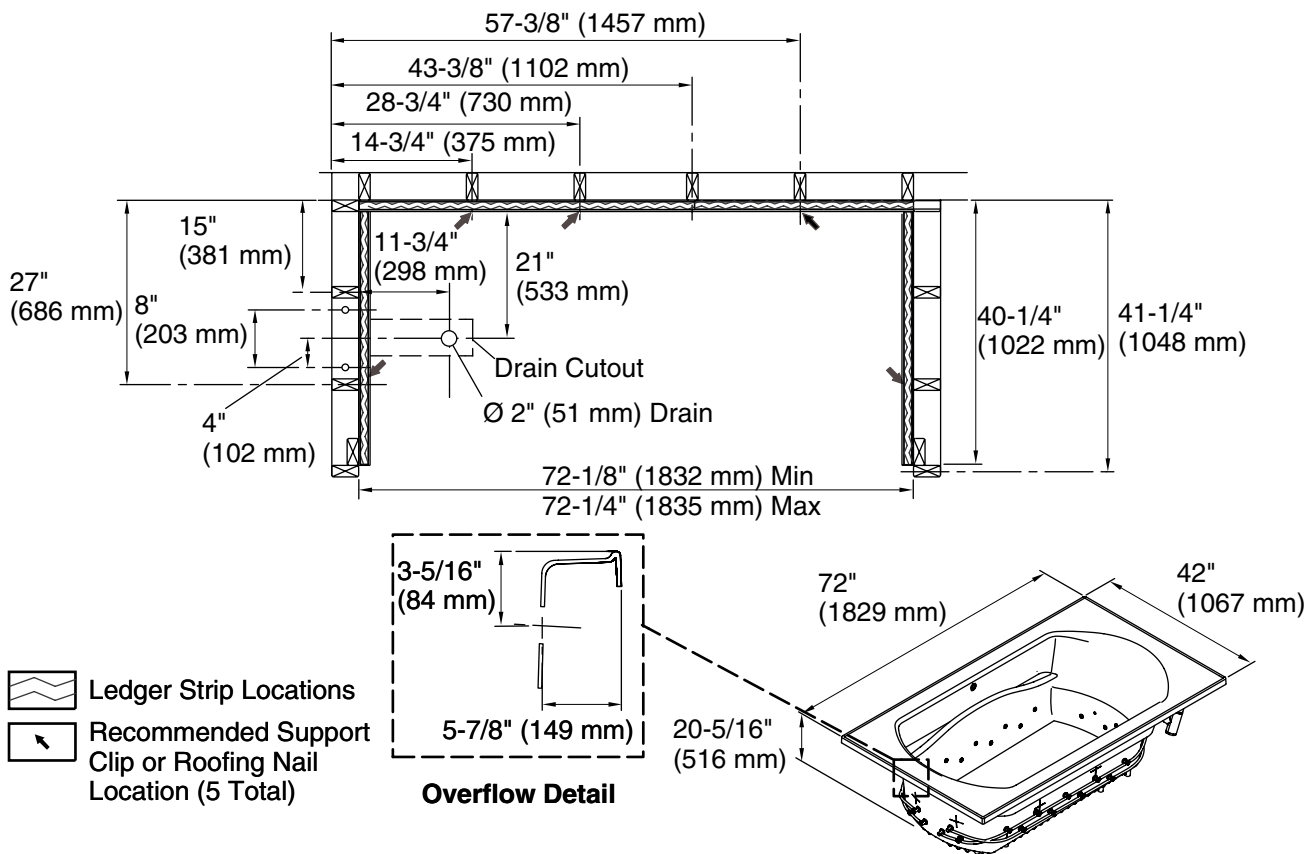
Floor support under this product must provide for a minimum of 41 lbs/square foot (200 kg/square meter) loading.

Blower service access is required.

Size the drain cutout to fit the drain assembly that will be used.

End stud positioning is critical if nailing-in flanges are to be used.

Studs should be positioned roughly as shown for support clip or roofing nail installation.



## Product Diagram