

STERLING®

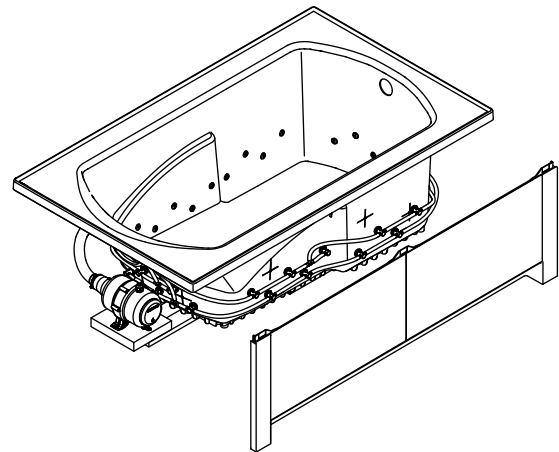
A KOHLER COMPANY

LAWSON™

Features

- Compression molded from our exclusive solid Vikrell® material
- Durable high-gloss finish
- 10-year consumer/3-year commercial limited warranty
- 3-speed blower with integrated 300 W heater, air switch control, and grounding-type plug-in cord
- 1-year limited warranty blower motor assembly
- 29 air jets
- Optional attached apron 76268100
- 60-1/4" (1530 mm) x 36" (914 mm) x 20-5/16" (516 mm) unit rough-in dimensions include 5/16" (8 mm) tall nailing flange
- 60" (1524 mm) x 36" (914 mm) x 20-5/16" (516 mm) complete unit finished dimensions

60" (1524 mm) x 36" (914 mm)
DROP-IN AIR MASSAGE BATH
77271100



Codes/Standards Applicable

Specified model meets or exceeds the following:

- ASME A112.19.7
- ASTM E162
- ASTM E662
- CSA C22 no. 218
- CSA B45.5/IAPMO Z124
- UL 1795

Colors/Finishes

- 0: White
- Other: Refer to Price Book for additional colors/finishes

Specified Model

Model	Description	Colors/Finishes	
77271100	60" (1524 mm) x 36" (914 mm) drop-in air massage bath	<input type="checkbox"/> 0	<input type="checkbox"/> Other _____
Model			
76268100	Optional apron with access openings	<input type="checkbox"/> 0	<input type="checkbox"/> Other _____

Technical Information

Fixture*:	
Basin area:	
Bathing well	44" (1118 mm) x 25-1/2" (648 mm)
Top area	51" (1295 mm) x 26-3/4" (679 mm)
To overflow:	
Water depth	15-1/4" (387 mm)
Capacity	59 gal (223.3 L)
* Approximate measurements for comparison only.	

Blower:	V	Hz	A
3-speed	120	60	9.2

Required Electrical Service

Dedicated circuit required, protected with Class A Ground-Fault Circuit-Interrupter (GFCI):	
Blower	120 V, 15 A, 60 Hz

Installation Notes

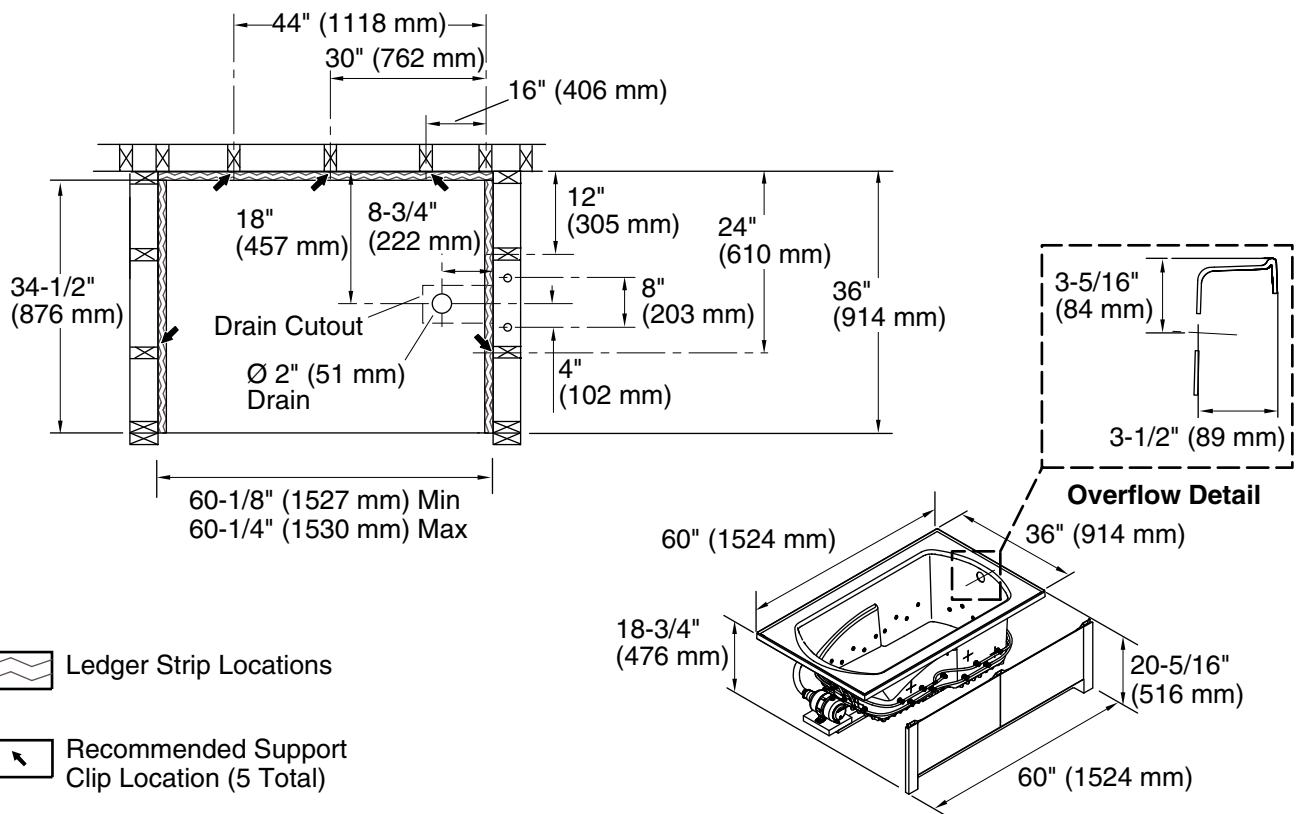
Install this product according to the installation guide.

Blower is supplied with a grounding-type plug-in cord. Locate the outlet within 24" (610 mm) of the blower.

Blower service access is required.

Size the drain cutout to fit the drain assembly that will be used.

Studs should be positioned roughly as shown.



Product Diagram