

# STERLING®

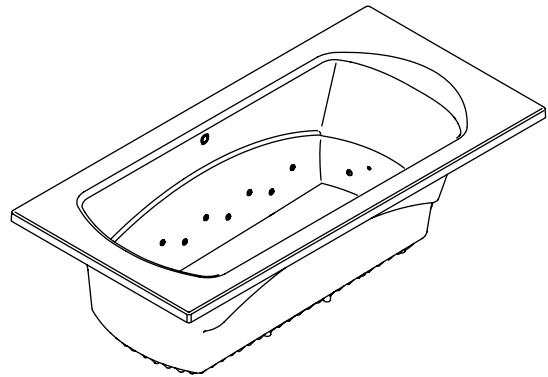
A KOHLER COMPANY

LAWSON™

## Features

- Compression molded from our exclusive solid Vikrell® material
- Durable high-gloss finish
- 10-year consumer/3-year commercial limited warranty
- 3-speed blower with integrated 300 W heater, air switch control, and grounding-type plug-in cord
- 1-year limited warranty blower motor assembly
- 29 air jets
- 72" (1829 mm) x 36" (914 mm) x 20-5/16" (516 mm) unit rough-in dimensions include 5/16" (8 mm) tall nailing flange
- 72" (1829 mm) x 36" (914 mm) x 20-5/16" (516 mm) complete unit finished dimensions

72" (1829 mm) x 36" (914 mm)  
**DROP-IN AIR MASSAGE BATH**  
**77301100**



## Codes/Standards Applicable

Specified model meets or exceeds the following:

- ANSI Z124.1.2
- ASME A112.19.7
- ASTM E162
- ASTM E662
- CSA B45
- UL 1795
- CSA C22 no. 218

## Colors/Finishes

- 0: White
- Other: Refer to Price Book for additional colors/finishes

## Specified Model

Model	Description	Colors/Finishes	
77301100	72" (1829 mm) x 36" (914 mm) drop-in air massage bath	<input type="checkbox"/> 0	<input type="checkbox"/> Other _____

## Technical Information

Fixture*:				
Bathing well:				
Basin area, bottom	50-3/8" (1280 mm) x 21-3/4" (552 mm)			
Basin area, top	58-1/4" (1480 mm) x 27" (686 mm)			
Weight	83 lbs (37.6 kg)			
To overflow:				
Water depth	15-1/4" (387 mm)			
Capacity	68 gal (299.5 L)			
* Approximate measurements for comparison only.				
Blower:	Heater	V	Hz	A
3-speed	300 W	120	60	9.2

## Required Electrical Service

Dedicated circuit required, protected with Class A Ground-Fault Circuit-Interrupter (GFCI):	
Blower	120 V, 15 A, 60 Hz
Blower is supplied with a 24" (610 mm) grounding-type plug-in cord.	

## Installation Notes

Install this product according to the installation guide.

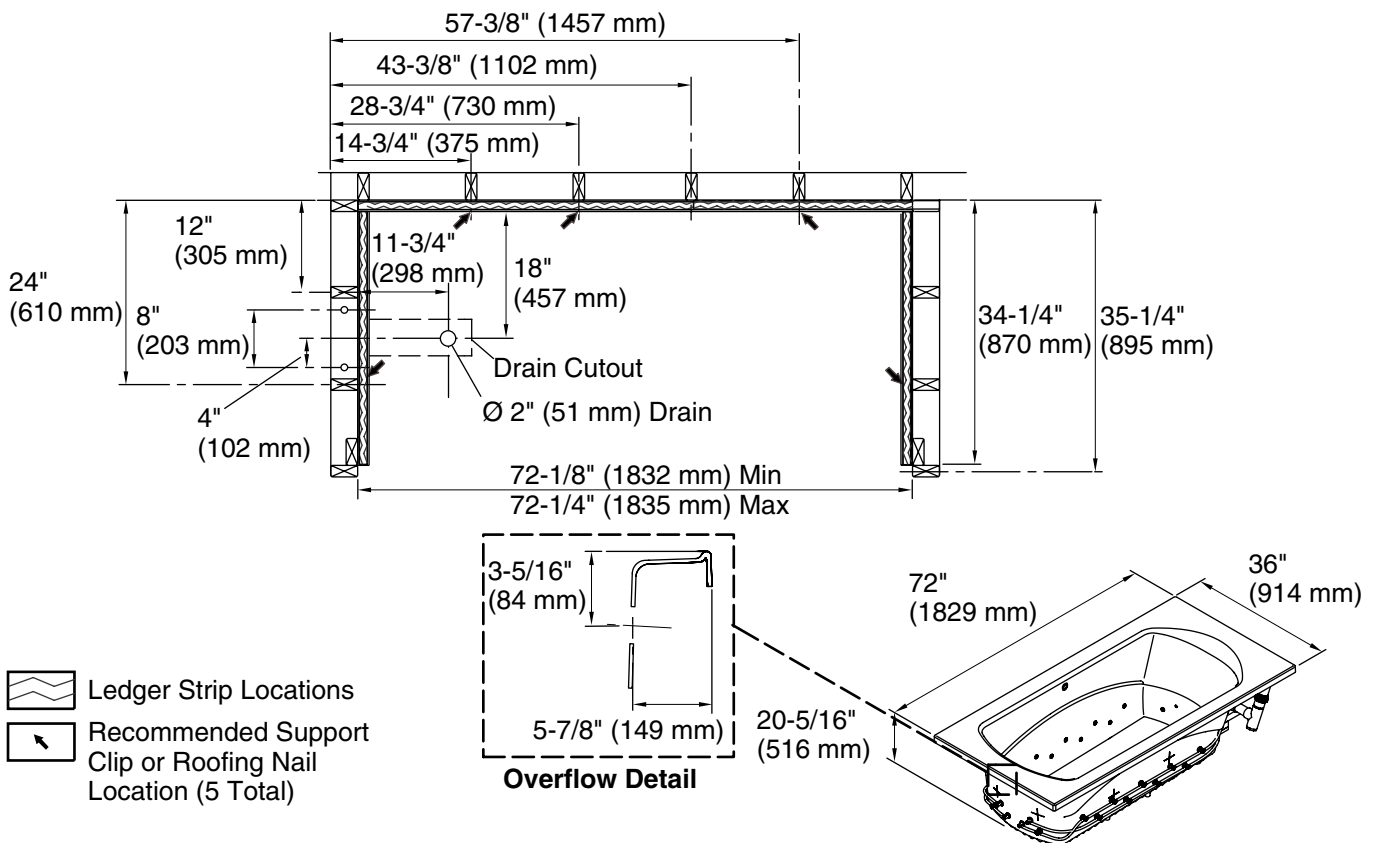
Floor support under this product must provide for a minimum of 41 lbs/square foot (200 kg/square meter) loading.

Blower service access is required.

Size the drain cutout to fit the drain assembly that will be used.

End stud positioning is critical if nailing-in flanges are to be used.

Studs should be positioned roughly as shown for support clip or roofing nail installation.



## Product Diagram