

# STERLING®

A KOHLER COMPANY

LAWSON™

## Features

- Compression molded from our exclusive solid Vikrell® material
- 10-year consumer/3-year commercial limited warranty
- Durable high-gloss finish
- Optional attached apron 71268100
- 60-1/4" (1530 mm) x 32" (813 mm) x 20-5/16" (516 mm) rough-in dimensions include flanges
- 60" (1524 mm) x 32" (813 mm) x 20-5/16" (516 mm) finished dimensions

## Codes/Standards Applicable

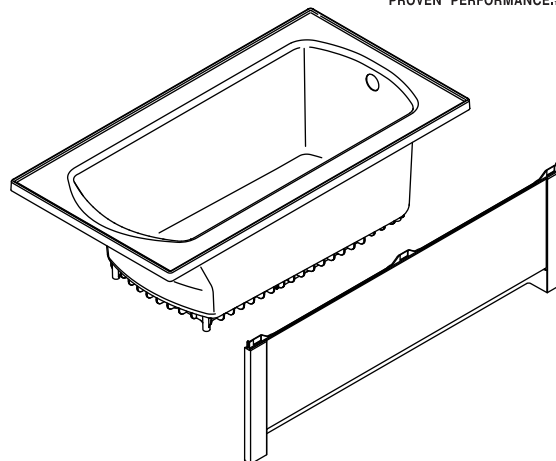
Specified model meets or exceeds the following:

- ASTM E162
- ASTM E662
- CSA B45.5/IAPMO Z124

32" (813 mm) DROP-IN BATH  
**71261100**  
ALSO 71261500



MATERIAL STRENGTH.  
PROVEN PERFORMANCE...



## Colors/Finishes

- 0: White
- Other: Refer to Price Book for additional colors/finishes

## Specified Model

Model	Description	Colors/Finishes	
71261100	60" (1524 mm) x 32" (813 mm) drop-in bath	<input type="checkbox"/> 0	<input type="checkbox"/> Other _____
71261500	60" (1524 mm) x 32" (813 mm) drop-in bath, 5 pack	<input type="checkbox"/> 0	<input type="checkbox"/> Other _____

## Technical Information

Fixture*:	
Basin area:	
Bathing well	44" (1118 mm) x 21-1/2" (546 mm)
Top area	51" (1295 mm) x 22-3/4" (578 mm)
To overflow:	
Water depth	15-1/4" (387 mm)
Capacity	53 gal (200.6 L)
* Approximate measurements for comparison only.	

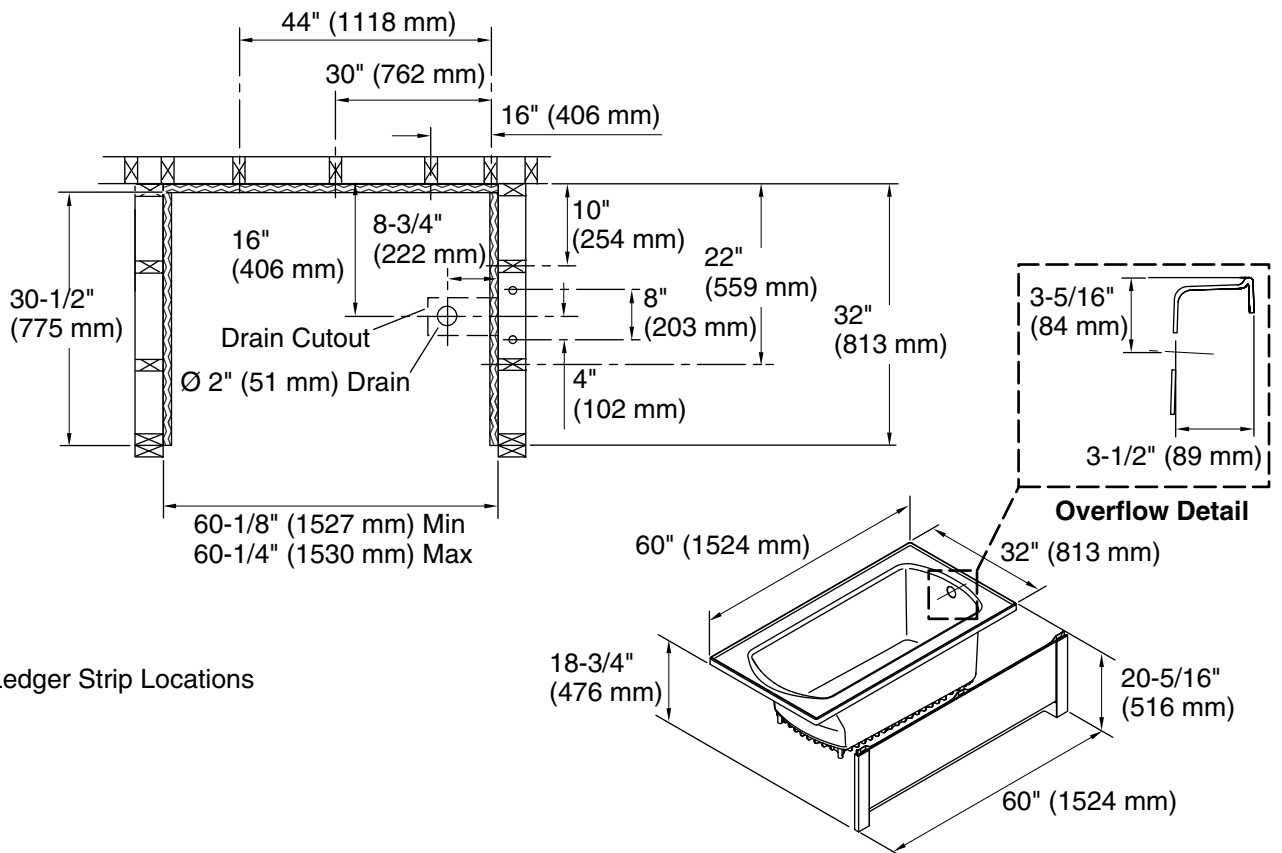
Model	Door maximum width	Door maximum height
All	60" (1524 mm)*	NA*
* Varies with alternative walls.		

## Installation Notes

Install this product according to the installation guide.

Size the drain cutout to fit the drain assembly that will be used.

Studs should be positioned roughly as shown.



## Product Diagram