

STERLING®

A KOHLER COMPANY

LAWSON™

Features

- Compression molded from our exclusive solid Vikrell® material
- 10-year consumer/3-year commercial limited warranty
- Durable high-gloss finish
- 72" (1829 mm) x 36" (914 mm) x 20-5/16" (516 mm) rough-in dimensions include flanges
- 72" (1829 mm) x 36" (914 mm) x 20-5/16" (516 mm) finished dimensions

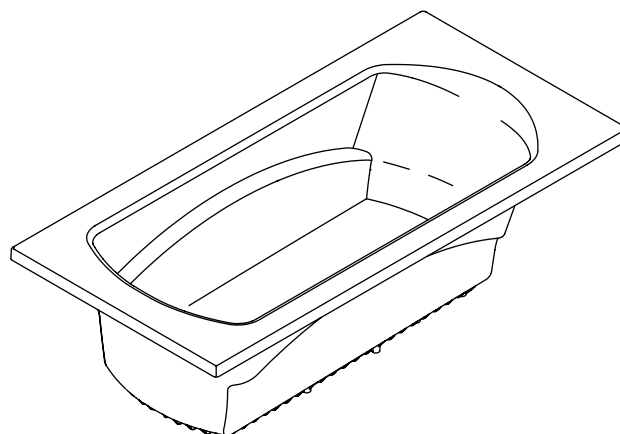
72" (1829 mm) x 36" (914 mm)
DROP-IN BATH
71301100



Codes/Standards Applicable

Specified model meets or exceeds the following:

- ANSI Z124.1.2
- ASTM E162
- ASTM E662
- CSA B45



Colors/Finishes

- 0: White
- Other: Refer to Price Book for additional colors/finishes

Specified Model

Model	Description	Colors/Finishes	
71301100	72" (1829 mm) x 36" (914 mm) drop-in bath	<input type="checkbox"/> 0	<input type="checkbox"/> Other _____

Technical Information

Fixture*:	
Bathing well:	
Basin area, bottom	50-3/8" (1280 mm) x 21-3/4" (552 mm)
Basin area, top	58-1/4" (1480 mm) x 27" (686 mm)
To overflow:	
Water depth	15-1/4" (387 mm)
Capacity	68 gal (257.4 L)
* Approximate measurements for comparison only.	

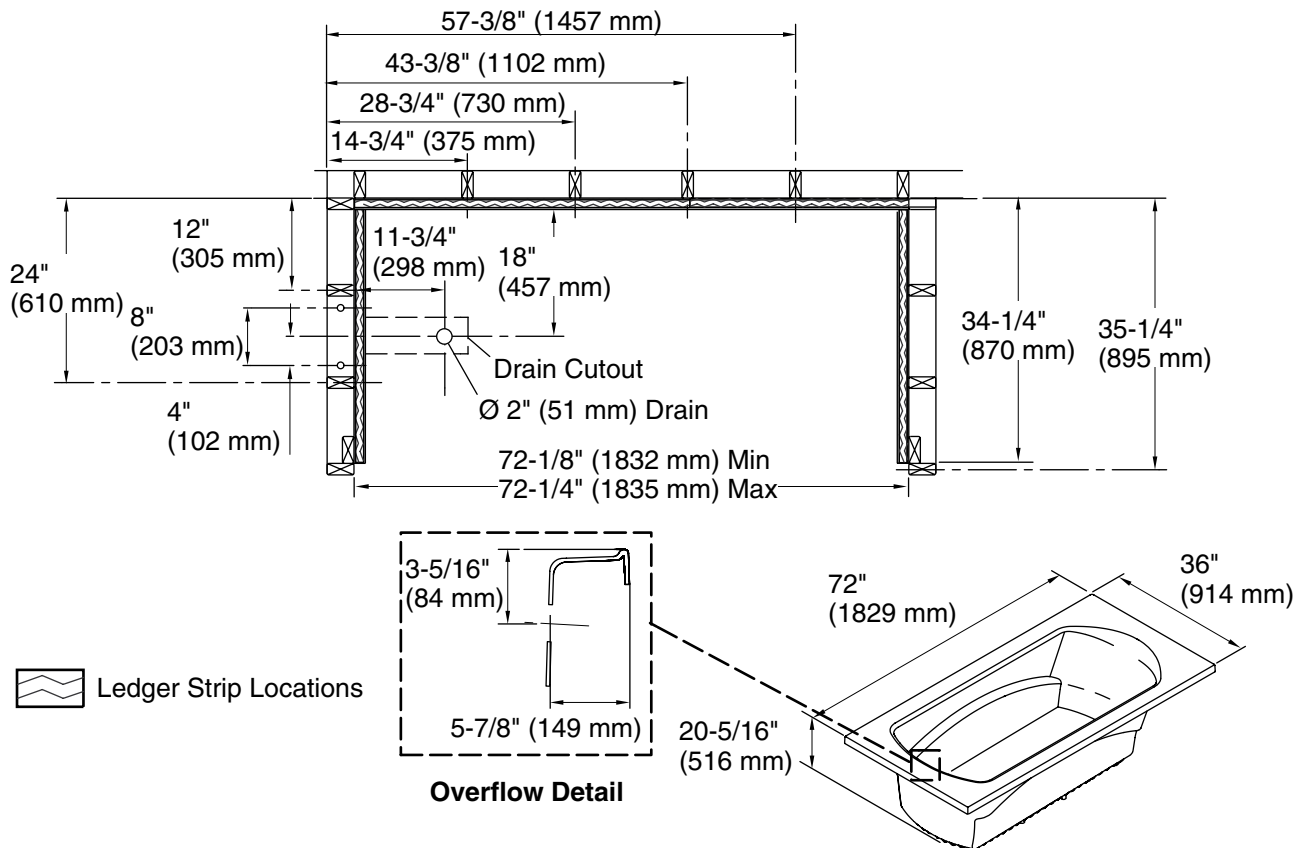
Model	Door maximum width	Door maximum height
All	72" (1829 mm)*	NA*
*Varies with alternative walls.		

Installation Notes

Install this product according to the installation guide.

Size the drain cutout to fit the drain assembly that will be used.

Studs should be positioned roughly as shown.



Product Diagram