

STERLING®

A KOHLER COMPANY

ENSEMBLE™

Features

- Compression molded from our exclusive solid Vikrell® material
- Tongue-and-groove 4-piece modular design allows for easy "snap together" installation
- Convenient shelves provide generous storage
- Shaving ledge and foot rest added for comfort
- Shower base can be ordered separately
- Durable high-gloss finish
- 10-year consumer/3-year commercial limited warranty
- 60-1/4" (1530 mm) x 35-1/4" (895 mm) x 77" (1956 mm) unit rough-in dimensions include nailing flange
- 60" (1524 mm) x 34" (864 mm) x 75-3/4" (1924 mm) complete unit finished dimensions

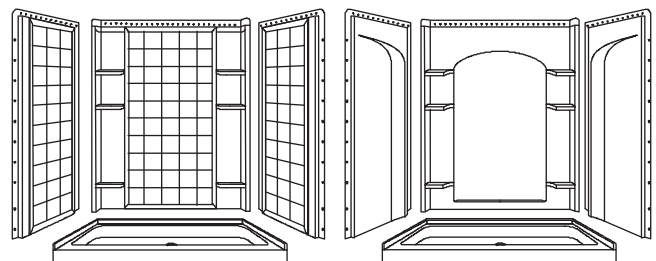
60" (1524 mm) SHOWER BASE AND WALL SURROUND
72130100
ALSO 72230100



Codes/Standards Applicable

Specified model meets or exceeds the following:

- ASTM E162
- ASTM E662
- CSA B45.5/IAPMO Z124



72130100

72230100

Colors/Finishes

- 0: White
- Other: Refer to Price Book for additional colors/finishes

Specified Model

Model	Complete Unit Description	Colors/Finishes	
72130100	60" (1524 mm) shower base and wall surround, tile wall	<input type="checkbox"/> 0	<input type="checkbox"/> Other _____
72230100	60" (1524 mm) shower base and wall surround, curve wall	<input type="checkbox"/> 0	<input type="checkbox"/> Other _____

Model	Wall Component Description	Colors/Finishes	
72132100	Back wall, tile	<input type="checkbox"/> 0	<input type="checkbox"/> Other _____
72105100	End wall set, tile	<input type="checkbox"/> 0	<input type="checkbox"/> Other _____
72232100	Back wall, curve	<input type="checkbox"/> 0	<input type="checkbox"/> Other _____
72205100	End wall set, curve	<input type="checkbox"/> 0	<input type="checkbox"/> Other _____

ENSEMBLE™

Technical Information

Model	Door maximum width	Door maximum height
72130100	56-5/8" (1438 mm)	70-1/2" (1791 mm)
72230100		

Installation Notes

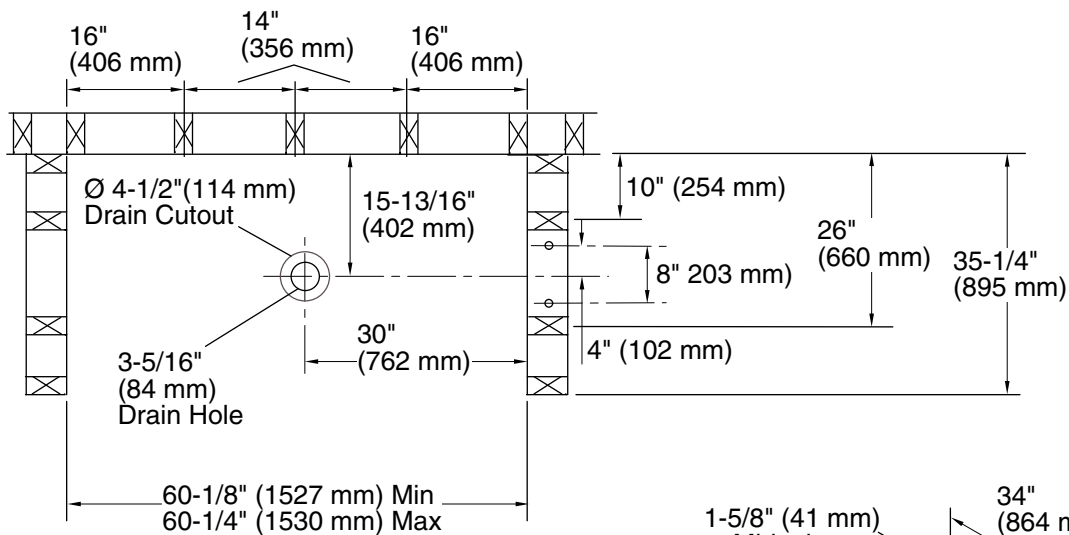
Install this product according to the installation guide.

Size the drain cutout to fit the drain assembly that will be used.

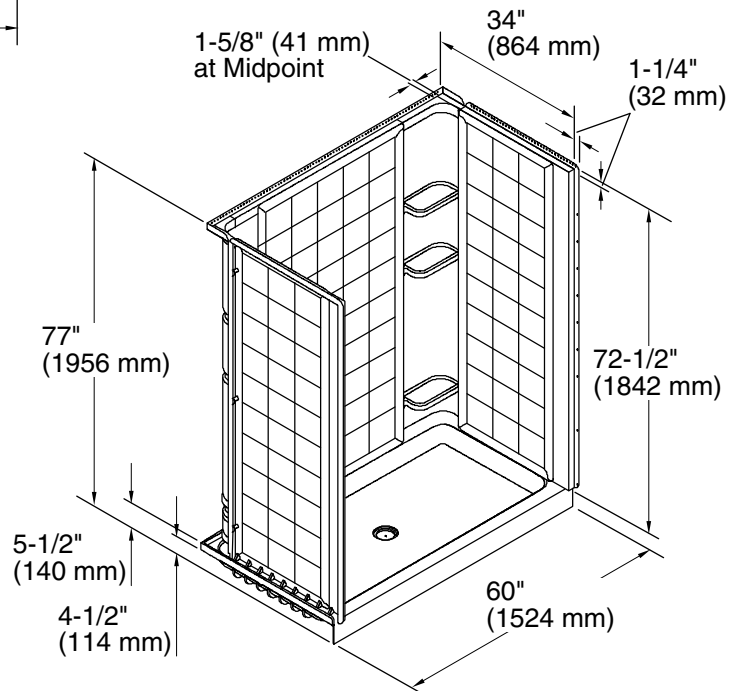
Double studding is recommended for pivot shower door installations.

Studs should be positioned as shown.

Both tile and curve wall surrounds share the same dimensions.



72130100



Product Diagram

ENSEMBLE™ 60" (1524 mm) SHOWER BASE AND WALL SURROUND

Page 2 of 2
1017265-4-J

STERLING
A KOHLER COMPANY