

STERLING®

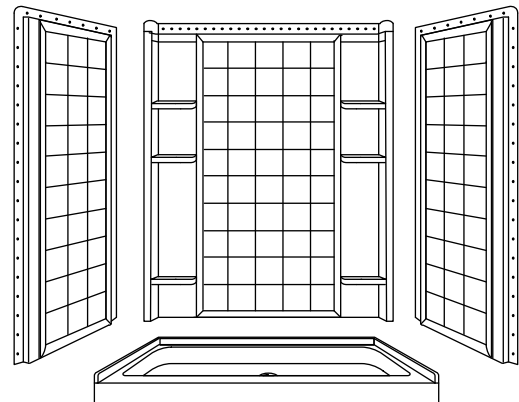
A KOHLER COMPANY

ENSEMBLE™

Features

- Compression molded from our exclusive solid Vikrell® material
- Tongue-and-groove 4-piece modular design allows for easy "snap together" installation
- Durable high-gloss finish
- 10-year consumer/3-year commercial limited warranty
- Convenient shelves provide generous storage
- Shaving ledge and foot rest added for comfort
- Wall surround allows for attachment of grab bars
- Tile design
- 60-1/4" (153 cm) x 35-1/4" (89.5 cm) x 77" (195.6 cm) complete unit rough-in dimensions include nailing flange
- 60" (152.4 cm) x 34" (86.4 cm) x 75-3/4" (192.4 cm) complete unit finished dimensions

60" (152.4 cm) SHOWER BASE AND SURROUND WITH BACKER BOARDS 72130106



Codes/Standards Applicable

Specified model meets or exceeds the following:

- ASTM E162
- ASTM E662
- CSA B45.5/IAPMO Z124

Colors/Finishes

- 0: White
- Other: Refer to Price Book for additional colors/finishes

Specified Model

Model	Complete Unit Description	Colors/Finishes	
72130106	60" (152.4 cm) shower base and wall surround with backer boards	<input type="checkbox"/> 0	<input type="checkbox"/> Other _____
Model	Wall Component Description	Colors/Finishes	
72132106	Back wall with backer boards	<input type="checkbox"/> 0	<input type="checkbox"/> Other _____
72105106	End wall with backer boards	<input type="checkbox"/> 0	<input type="checkbox"/> Other _____

ENSEMBLE™

Technical Information

Model	Door maximum width	Door maximum height
72130106	56-5/8" (143.8 cm)	70-1/2" (179.1 cm)

Installation Notes

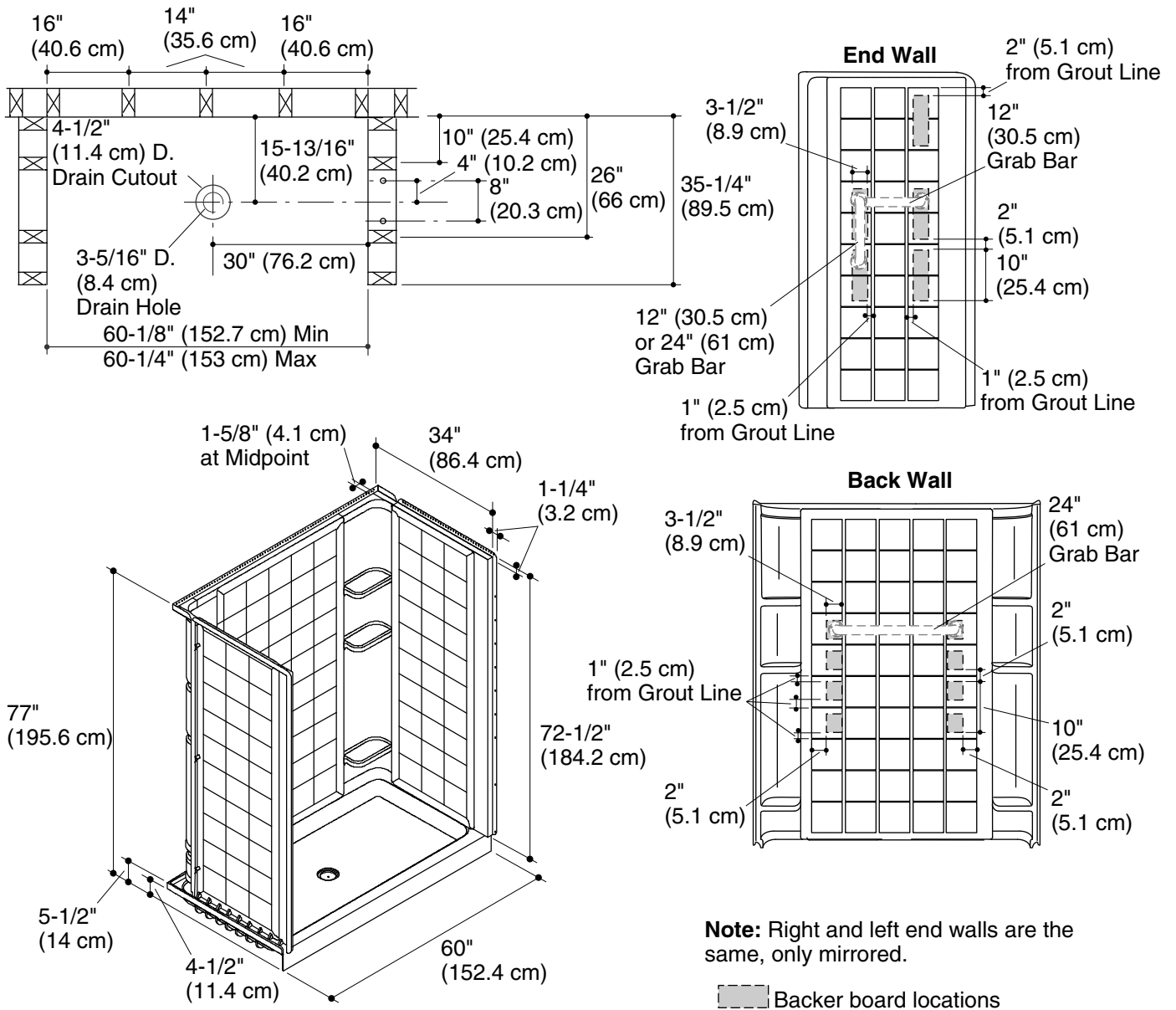
Install this product according to the installation guide.

Size the drain cutout to fit the drain assembly that will be used.

Double studding is recommended for pivot shower door installations.

Studs should be positioned roughly as shown.

Attach grab bars at the specified backer board locations only.



Note: Right and left end walls are the same, only mirrored.

Backer board locations

Product Diagram