

# STERLING®

A KOHLER COMPANY

ENSEMBLE™

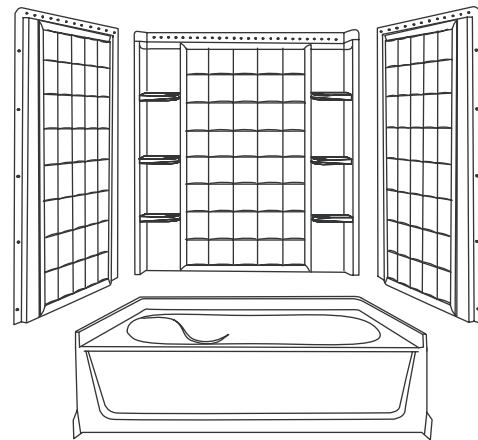
## Features

- Compression molded from our exclusive solid Vikrell® material
- Tongue-and-groove 4-piece modular design allows for easy "snap together" installation
- Gentle sloping back, neck, and armrest in bath design
- Bath and integral apron eliminates installation step
- Durable high-gloss finish
- 10-year consumer/3-year commercial limited warranty
- Available with above-the-floor drain
- Wall surround allows for attachment of grab bars
- 60-1/4" (1530 mm) x 43-1/2" (1105 mm) x 73-1/4" (1861 mm) complete unit rough-in dimensions include flange
- 60" (1524 mm) x 42" (1067 mm) x 72" (1829 mm) complete unit finished dimensions

## 42" (1067 mm) OVAL BATH/SHOWER SYSTEM WITH BACKER BOARDS

# 71110116

ALSO 71110118, 71110126, 71110128



## Codes/Standards Applicable

Specified model meets or exceeds the following:

- ANSI Z124.1.2
- ASTM E162
- ASTM E662
- CSA B45

## Colors/Finishes

- 0: White
- Other: Refer to Price Book for additional colors/finishes

## Specified Model

Model	Complete Unit Description	Colors/Finishes	
71110116	42" (1067 mm) oval bath and wall surround with backer boards, left drain	<input type="checkbox"/> 0	<input type="checkbox"/> Other _____
71110118	42" (1067 mm) oval bath and wall surround with backer boards, above-the-floor left drain	<input type="checkbox"/> 0	<input type="checkbox"/> Other _____
71110126	42" (1067 mm) oval bath and wall surround with backer boards, right drain (shown)	<input type="checkbox"/> 0	<input type="checkbox"/> Other _____
71110128	42" (1067 mm) oval bath and wall surround with backer boards, above-the-floor right drain	<input type="checkbox"/> 0	<input type="checkbox"/> Other _____
Model	Component Description	Colors/Finishes	
71114106	Complete wall set with backer boards	<input type="checkbox"/> 0	<input type="checkbox"/> Other _____

# ENSEMBLE™

## Technical Information

Fixture*:	
Basin area:	
Bathing well, bottom	40" (1016 mm) x 27" (686 mm)
Bathing well, top	52" (1321 mm) x 35" (889 mm)
To overflow:	
Water depth	11" (279 mm)
Capacity	45 gal (170.3 L)
* Approximate measurements for comparison only.	

Model	Door width	Door maximum height
71110116	58-1/2" (1486 mm)	55-3/4" (1416 mm)
71110118		
71110126		
71110128		

## Installation Notes

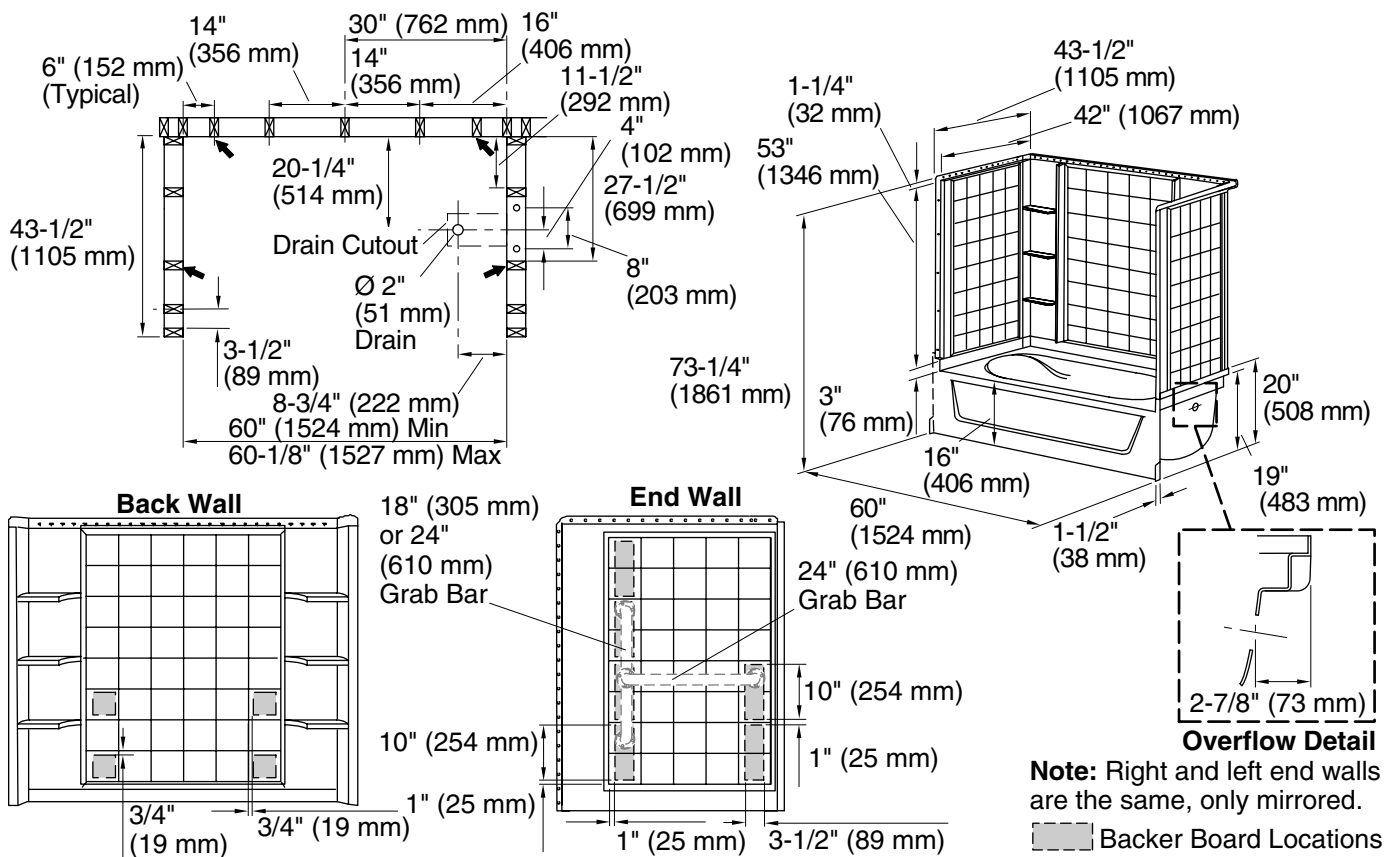
Install this product according to the installation guide.

Size the drain cutout to fit the drain assembly that will be used.

Double studding is recommended for pivot shower door installations.

Studs should be positioned roughly as shown.

Attach grab bars at the specified backer board locations only.



## Product Diagram