

STERLING®

A KOHLER COMPANY

ENSEMBLE™

Features

- Compression molded from our exclusive solid Vikrell® material
- Tongue-and-groove 4-piece modular design allows for easy "snap together" installation
- Convenient shelves provide generous storage
- Shaving ledge and foot rest added for comfort
- Shower base can be ordered separately
- Durable high-gloss finish
- 10-year consumer/3-year commercial limited warranty
- 36-1/4" (92.1 cm) x 35-1/4" (89.5 cm) x 77" (195.6 cm) rough-in dimensions include nailing flange
- 36" (91.4 cm) x 34" (86.4 cm) x 75-3/4" (192.6 cm) complete unit finished dimensions

Codes/Standards Applicable

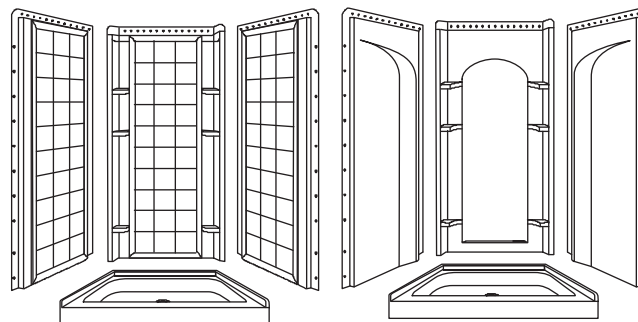
Specified model meets or exceeds the following:

- ASTM E162
- ASTM E662
- CSA B45.5/IAPMO Z124

36" (91.4 cm) SHOWER BASE AND WALL SURROUND

72100100

ALSO 72200100



72100100

72200100

Colors/Finishes

- 0: White
- Other: Refer to Price Book for additional colors/finishes

Specified Model

Model	Complete Unit Description	Colors/Finishes	
72100100	36" (91.4 cm) shower base and wall surround, tile wall	<input type="checkbox"/> 0	<input type="checkbox"/> Other_____
72200100	36" (91.4 cm) shower base and wall surround, curve wall	<input type="checkbox"/> 0	<input type="checkbox"/> Other_____

Model	Wall Component Description	Colors/Finishes	
72104100	Complete wall set, tile	<input type="checkbox"/> 0	<input type="checkbox"/> Other_____
72204100	Complete wall set, curve	<input type="checkbox"/> 0	<input type="checkbox"/> Other_____

ENSEMBLE™

Technical Information

Model	Door maximum width	Door maximum height
72100100	32-5/8" (82.9 cm)	70-1/2" (179.1 cm)
72200100		

Installation Notes

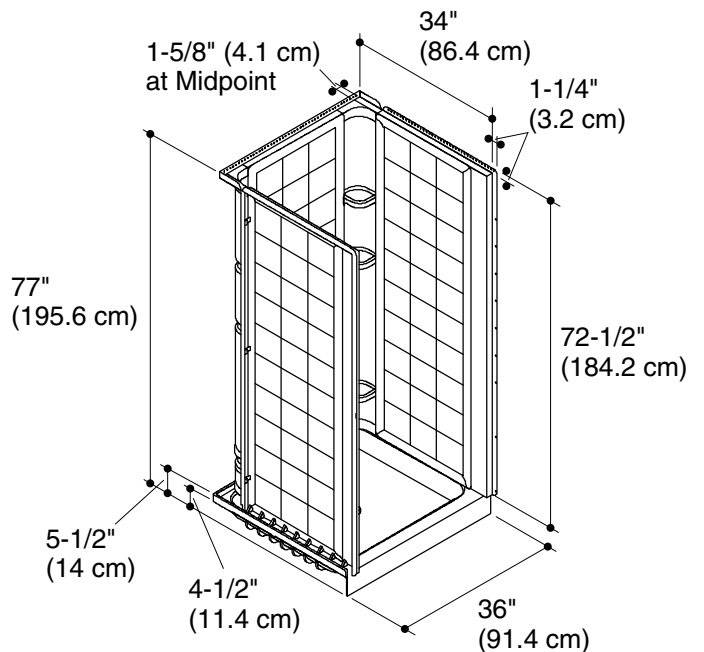
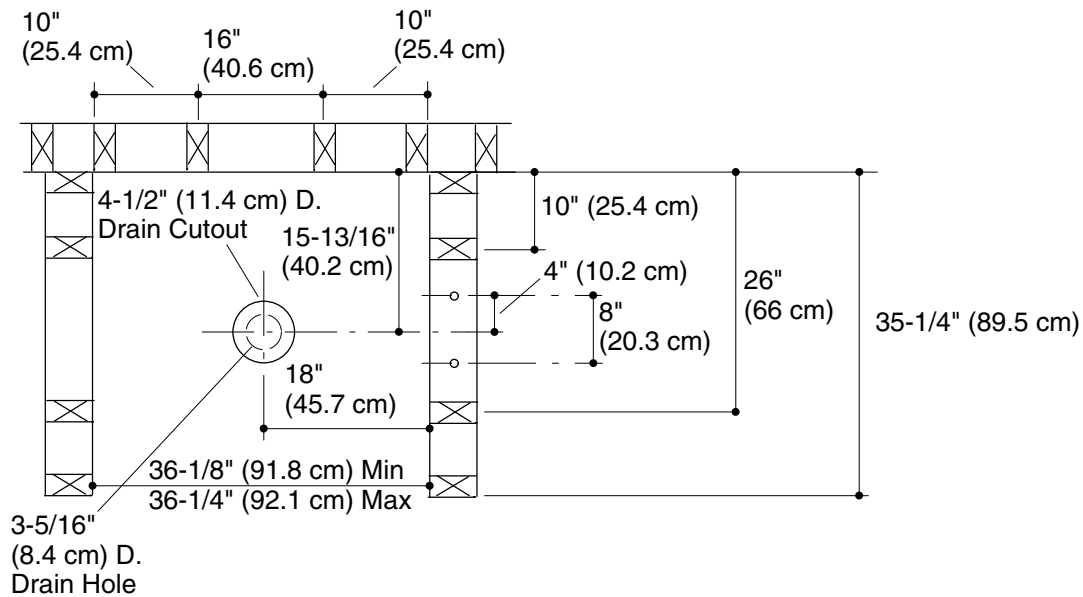
Install this product according to the installation guide.

Size the drain cutout to fit the drain assembly that will be used.

Double studding is recommended for pivot shower door installations.

Studs should be positioned roughly as shown.

Both tile and curve wall surrounds share the same dimensions.



Product Diagram

ENSEMBLE™ 36" (91.4 cm) SHOWER BASE AND WALL SURROUND