

STERLING®

A KOHLER COMPANY

ENSEMBLE™

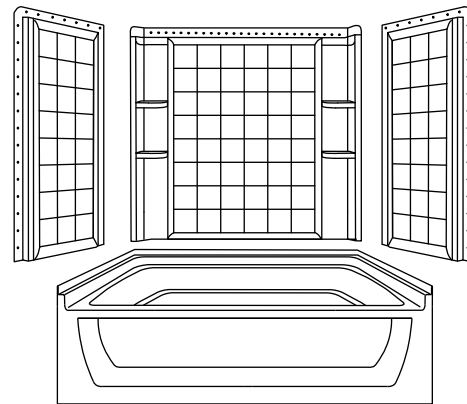
Features

- Compression molded from our exclusive solid Vikrell® material
- Tongue-and-groove 4-piece modular design allows for easy "snap together" installation
- Durable high-gloss finish
- 10-year consumer/3-year commercial limited warranty
- Compatible with 71121110, 71121120, 71121112, and 71121122
- Allows for future attachment of grab bars
- Complete unit rough-in dimensions include flange
- 60-1/4" (153 cm) x 33-1/4" (84.5 cm) x 54" (137.2 cm)

BATH AND WALL SURROUND WITH BACKER BOARDS

71120116

ALSO 71120118, 71120126, 71120128



Codes/Standards Applicable

Specified model meets or exceeds the following:

- ASTM E162
- ASTM E662
- CSA B45.5/IAPMO Z124

Colors/Finishes

- 0: White
- Other: Refer to Price Book for additional colors/finishes

Specified Model

Model	Complete Unit Description	Colors/Finishes	
71120116	32" (81.3 cm) bath and wall surround with backer boards, left drain	<input type="checkbox"/> 0	<input type="checkbox"/> Other _____
71120118	32" (81.3 cm) bath and wall surround with backer boards, above-the-floor left drain	<input type="checkbox"/> 0	<input type="checkbox"/> Other _____
71120126	32" (81.3 cm) bath and wall surround with backer boards, right drain	<input type="checkbox"/> 0	<input type="checkbox"/> Other _____
71120128	32" (81.3 cm) bath and wall surround with backer boards, above-the-floor right drain	<input type="checkbox"/> 0	<input type="checkbox"/> Other _____

Model	Wall Component Description	Colors/Finishes	
71124106	Complete wall set with backer boards	<input type="checkbox"/> 0	<input type="checkbox"/> Other _____

ENSEMBLE™

Technical Information

Fixture*:	
Basin area:	
Bathing well, bottom	42" (106.7 cm) x 20" (50.8 cm)
Bathing well, top	54" (137.2 cm) x 26" (66 cm)
To overflow:	
Water depth	13-3/4" (34.9 cm)
Capacity	55 gal (208.2 L)
* Approximate measurements for comparison only.	

Model	Door maximum width	Door maximum height
71120116	57-11/16" (146.5 cm)	55-1/2" (141 cm)
71120118		
71120126		
71120128		

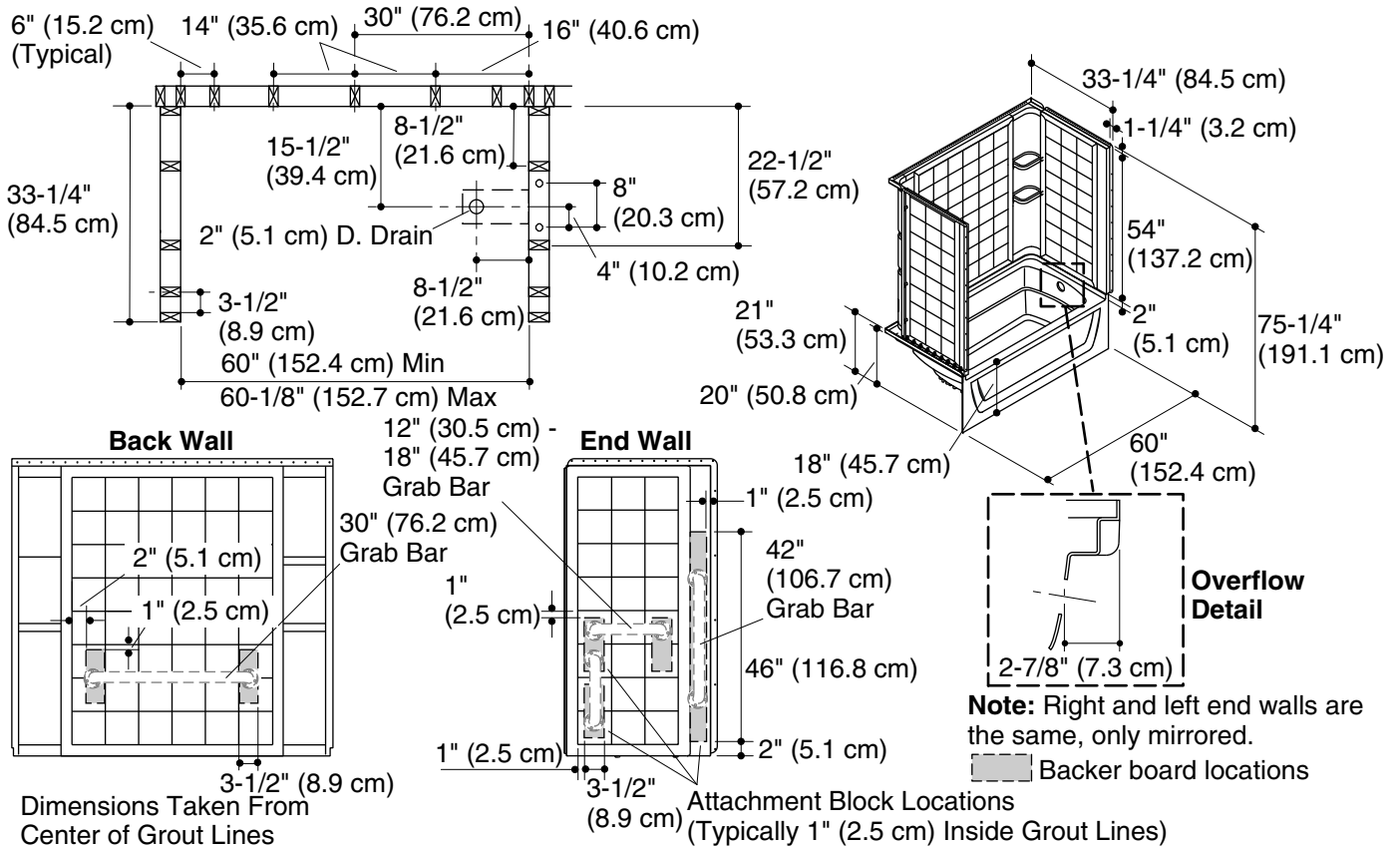
Installation Notes

Install this product according to the installation guide.

End stud positioning is critical if nailing-in flanges are used.

Double studding is recommended for pivot shower door installations.

Attach grab bars at the specified backer board locations only.



Product Diagram