

STERLING®

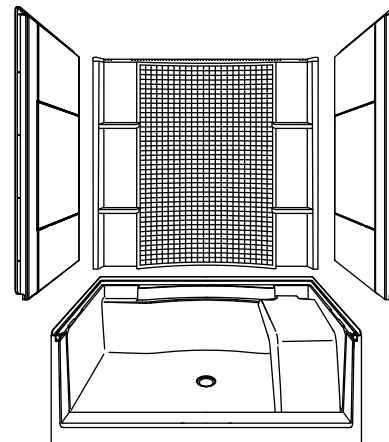
A KOHLER COMPANY

ACCORD®

Features

- Compression molded from our exclusive solid Vikrell® material
- Modular 4-piece design
- Pivot "snap together" installation
- Caulkless seam installation
- Convenient shelves provide generous storage
- Durable, chemical-resistant removable seat
- Removable seat can be conveniently placed on either side of receptor
- 10-year consumer/3-year commercial limited warranty
- 60-1/4" (1530 mm) x 37-1/4" (946 mm) x 75-7/8" (1927 mm) rough-in dimensions include nailing flange
- 60" (1524 mm) x 36" (914 mm) x 74-1/2" (1892 mm) complete unit finished dimensions

60" (1524 mm) SEATED BASE AND SURROUND 72290100



Codes/Standards Applicable

Specified model meets or exceeds the following:

- ASTM E162
- ASTM E662
- CSA B45.5/IAPMO Z124

Colors/Finishes

- 0: White
- Other: Refer to Price Book for additional colors/finishes

Specified Model

Model	Complete Unit Description	Colors/Finishes	
72290100	60" (1524 mm) seated base and surround	<input type="checkbox"/> 0	<input type="checkbox"/> Other _____
Model	Component Description	Colors/Finishes	
72291100	60" (1524 mm) base with removable seat	<input type="checkbox"/> 0	<input type="checkbox"/> Other _____
71164100	60" (1524 mm) complete wall set	<input type="checkbox"/> 0	<input type="checkbox"/> Other _____
Model	Age in Place Component Description	Colors/Finishes	
72290106	60" (1524 mm) seated base and surround with age in place wall backers	<input type="checkbox"/> 0	<input type="checkbox"/> Other _____
71164106	Complete wall set, age-in-place backers	<input type="checkbox"/> 0	<input type="checkbox"/> Other _____

ACCORD®

Technical Information

Door maximum width		Door maximum height	
56-1/8" (1426 mm) at threshold		70-5/8" (1794 mm)	
56-5/8" (1438 mm) at top		(1794 mm)	
Removable seat	Height	Surface width	Surface length
	15-3/4" (400 mm)	11-3/4" (298 mm)	21-1/4" (540 mm)

Installation Notes

Install this product according to the installation guide.

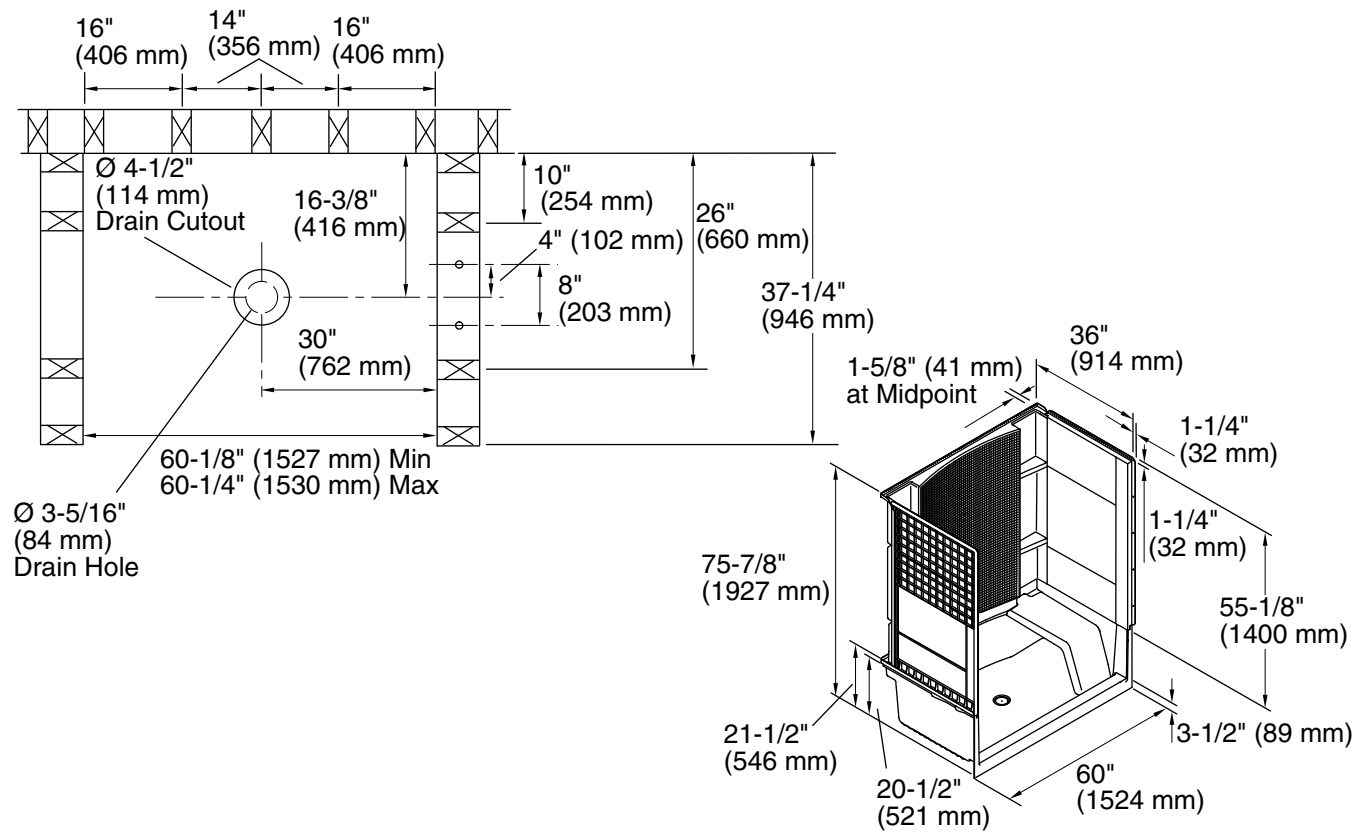
Size the drain cutout to fit the drain assembly that will be used.

End stud positioning is critical.

Double studding is recommended for pivot shower door installations.

Studs should be positioned roughly as shown.

Base cannot be installed without the wall surround.



Product Diagram

ACCORD® 60" (1524 mm) SEATED BASE AND SURROUND

Page 2 of 2
1122778-4-F

STERLING
A KOHLER COMPANY