

# STERLING®

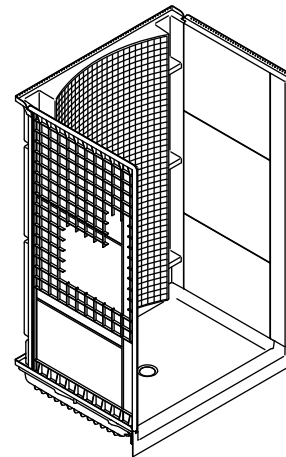
A KOHLER COMPANY

ACCORD®

## Features

- Compression molded from our exclusive solid Vikrell® material
- Modular 4-piece design
- Pivot "snap together" installation
- Caulkless seam installation
- Convenient shelves provide generous storage
- Durable high-gloss finish
- 10-year consumer/3-year commercial limited warranty
- Wall surround allows for attachment of grab bars
- 42-1/4" (1073 mm) x 37-1/4" (946 mm) x 77" (1956 mm) rough-in dimensions include nailing flange
- 42" (1067 mm) x 36" (914 mm) x 75-3/4" (1924 mm) complete unit finished dimensions

## 42" (1067 mm) BASE AND SURROUND W/BACKER BOARDS 72250106



## Codes/Standards Applicable

Specified model meets or exceeds the following:

- ASTM E162
- ASTM E662
- CSA B45.5/IAPMO Z124

## Colors/Finishes

- 0: White
- Other: Refer to Price Book for additional colors/finishes

## Specified Model

| Model    | Complete Unit Description                                      | Colors/Finishes            |                                      |
|----------|--|----------------------------|--------------------------------------|
| 72250106 | 42" (1067 mm) shower base and wall surround with backer boards | <input type="checkbox"/> 0 | <input type="checkbox"/> Other _____ |

| Model    | Wall Component Description     | Colors/Finishes            |                                      |
|----------|--------------------------------|----------------------------|--------------------------------------|
| 72252100 | 42" (1067 mm) Backwall         | <input type="checkbox"/> 0 | <input type="checkbox"/> Other _____ |
| 72251100 | 42" (1067 mm) Base             | <input type="checkbox"/> 0 | <input type="checkbox"/> Other _____ |
| 72245106 | Endwall set with backer boards | <input type="checkbox"/> 0 | <input type="checkbox"/> Other _____ |

# ACCORD®

## Technical Information

| Model    | door maximum width | door maximum height |
|----------|--------------------|---------------------|
| 72250106 | 38-5/8" (981 mm)   | 72" (1829 mm)       |

Double studding is recommended for pivot shower door installations.

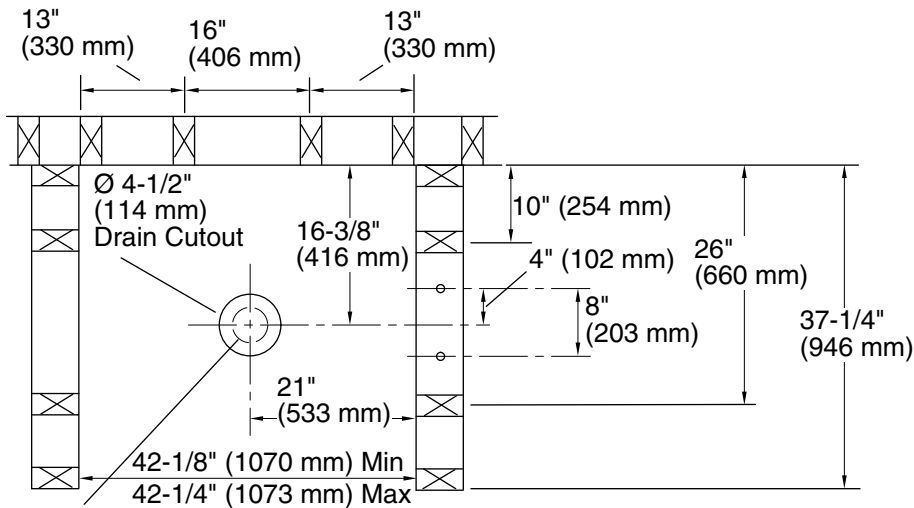
Studs should be positioned roughly as shown.

Base cannot be installed without the wall surround.

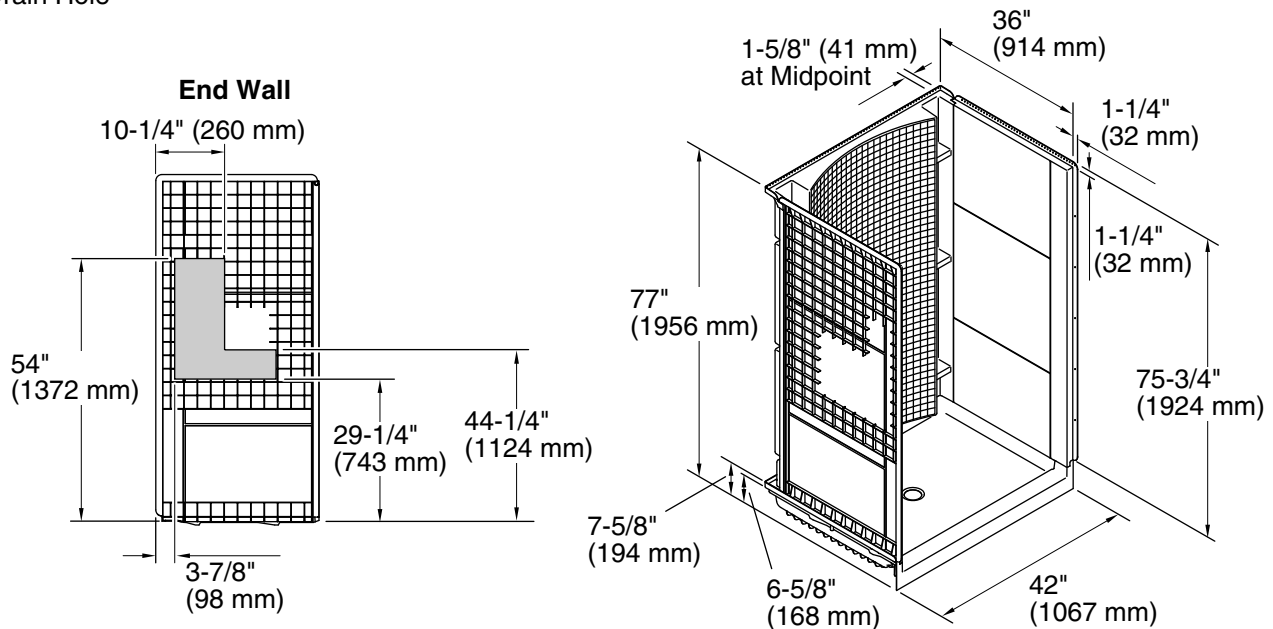
## Installation Notes

Install this product according to the installation guide.

Size the drain cutout to fit the drain assembly that will be used.



3-5/16"  
(84 mm) OD  
Drain Hole



## Product Diagram

ACCORD® 42" (1067 mm) BASE AND SURROUND W/BACKER BOARDS

Page 2 of 2  
1092042-4-D

**STERLING**  
A KOHLER COMPANY