

# STERLING®

A KOHLER COMPANY

## Features

- Compression molded from our exclusive solid Vikrell® material
- Folding transfer seat with stainless steel support
- Factory installed stainless steel grab bars
- Durable swirl-gloss finish
- Engineered for ease of installation
- Modular 4-piece design
- 10-year consumer/3-year commercial limited warranty
- Tongue-and-groove "snap together" design
- 1/2" (13 mm) low profile threshold for easy wheelchair access
- 63-1/2" (1613 mm) x 40-5/8" (1032 mm) x 73-1/4" (1861 mm) direct-to-stud rough-in, including flange
- 63-1/4" (1607 mm) x 39-3/8" (1000 mm) x 72" (1829 mm) complete unit finished dimensions

## Codes/Standards Applicable

Specified model meets or exceeds the following:

- ADA
- ICC/ANSI A117.1
- HUD, UM Bulletin 73A
- NAHB Research Foundation, Inc.
- ASTM E162
- ASTM E662
- ANSI Z124.1.2

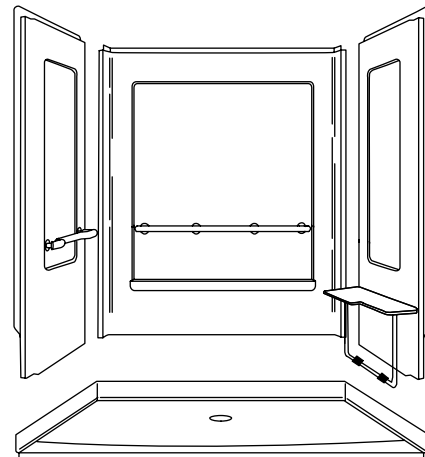
## Specified Model

Model	Description	Colors/Finishes	
62070115	63" (1600 mm) ADA compliant* shower receptor and wall surround, with grab bars on the left, with transfer seat on the right	<input type="checkbox"/> 0	<input type="checkbox"/> Other_____
62070125	63" (1600 mm) ADA compliant* shower receptor and wall surround, with grab bars on the right, with transfer seat on the left	<input type="checkbox"/> 0	<input type="checkbox"/> Other_____

\*Product is shipped as ADA compliant with factory assembled grab bars and seat. When properly installed, the complete installation is ADA compliant. Components are also available separately but are provided only as ADA adaptable.

## 63" (1600 mm) ADA COMPLIANT SHOWER RECEPTOR AND SURROUND

**62070115**  
ALSO 62070125



## Colors/Finishes

- 0: White
- Other: Refer to Price Book for additional colors/finishes

## Installation Notes

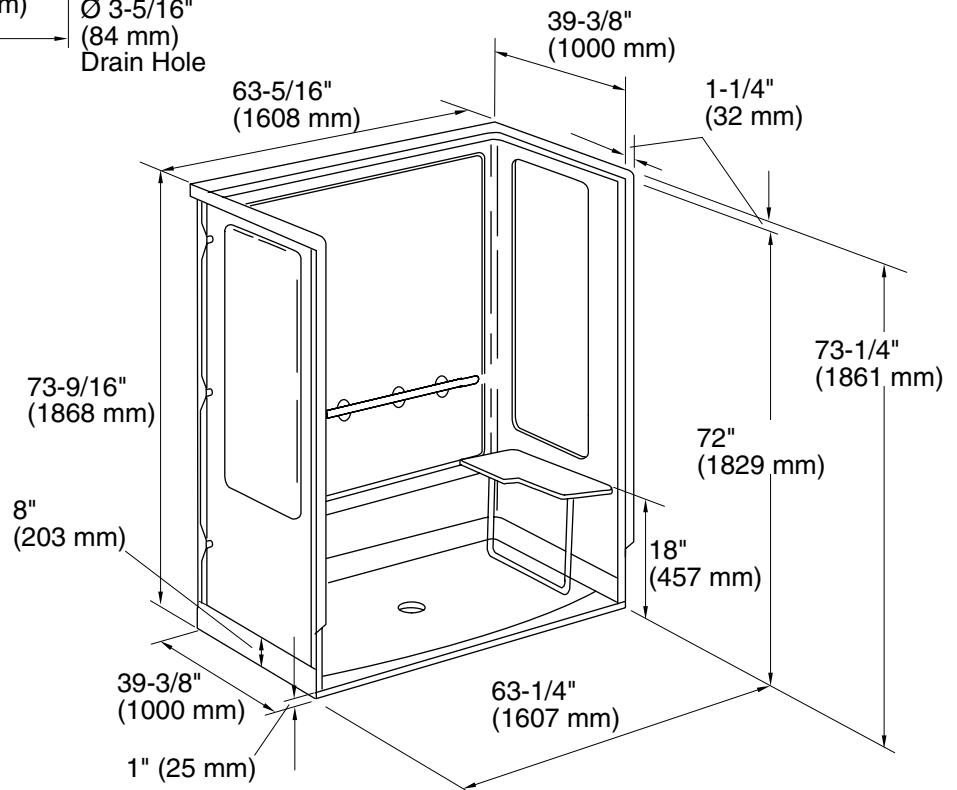
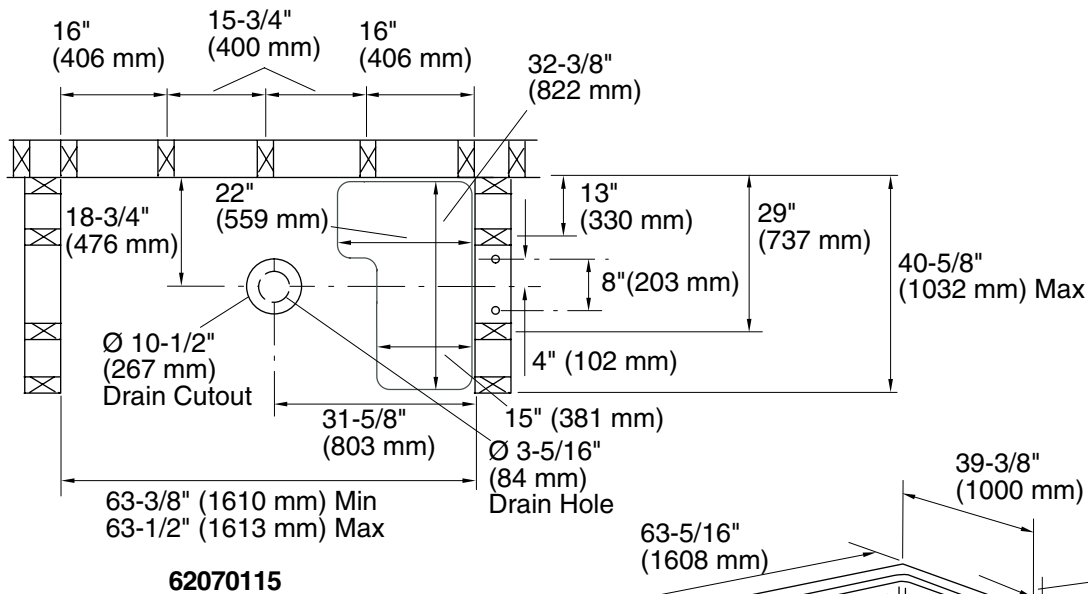
Install this product according to the installation guide.

Drain cutout in subfloor to be 10-1/2" (267 mm) per rough-in illustration below to allow the backside of the drain to sit below the subfloor surface.

Studs should be positioned roughly as shown.

Backer boards and fasteners protrude beyond the back wall 1-1/2" (38 mm). If installing this product against wall board, 1-1/2" (38 mm) furring strips installed over the wall board are

recommended. The stud pocket depth of 40-5/8" (1032 mm) will need to be increased by the combined thickness of the wall board and furring strips.



**Product Diagram**