

# STERLING®

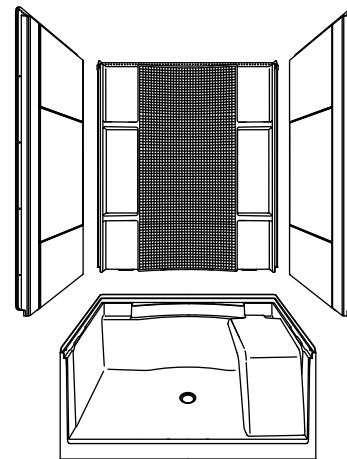
A KOHLER COMPANY

ACCORD®

## Features

- Compression molded from our exclusive solid Vikrell® material
- Modular 4-piece design
- Pivot "snap together" installation
- Caulkless seam installation
- Wall surround allows for attachment of grab bars
- Convenient shelves provide generous storage
- Durable, chemical-resistant removable seat
- Removable seat can be conveniently placed on either side of receptor
- 10-year consumer/3-year commercial limited warranty
- 48-1/4" (1226 mm) x 37-1/4" (946 mm) x 76" (1930 mm) rough-in dimensions include nailing flange
- 48" (1219 mm) x 36" (914 mm) x 74-1/2" (1892 mm) complete unit finished dimensions

## 48" (1219 mm) SEATED BASE AND SURROUND W/BACKER BOARDS 72280106



## Codes/Standards Applicable

Specified model meets or exceeds the following:

- ASTM E662
- CSA B45.5/IAPMO Z124
- ASTM E162

## Colors/Finishes

- 0: White
- Other: Refer to Price Book for additional colors/finishes

## Specified Model

Model	Complete Unit Description	Colors/Finishes	
72280106	48" (1219 mm) seated base and surround with backer boards	<input type="checkbox"/> 0	<input type="checkbox"/> Other _____
Model	Component Description	Colors/Finishes	
72281100	48" (1219 mm) base with removable seat	<input type="checkbox"/> 0	<input type="checkbox"/> Other _____
72284106	48" (1219 mm) complete wall set with backer boards	<input type="checkbox"/> 0	<input type="checkbox"/> Other _____

# ACCORD®

## Technical Information

Door maximum width		Door maximum height	
44-1/8" (1121 mm) at threshold		70-5/8" (1794 mm)	
44-5/8" (1133 mm) at top			
Removable seat	Height	Surface width	Surface length
	15-3/4" (400 mm)	11-3/4" (298 mm)	21-1/4" (540 mm)

## Installation Notes

Install this product according to the installation guide.

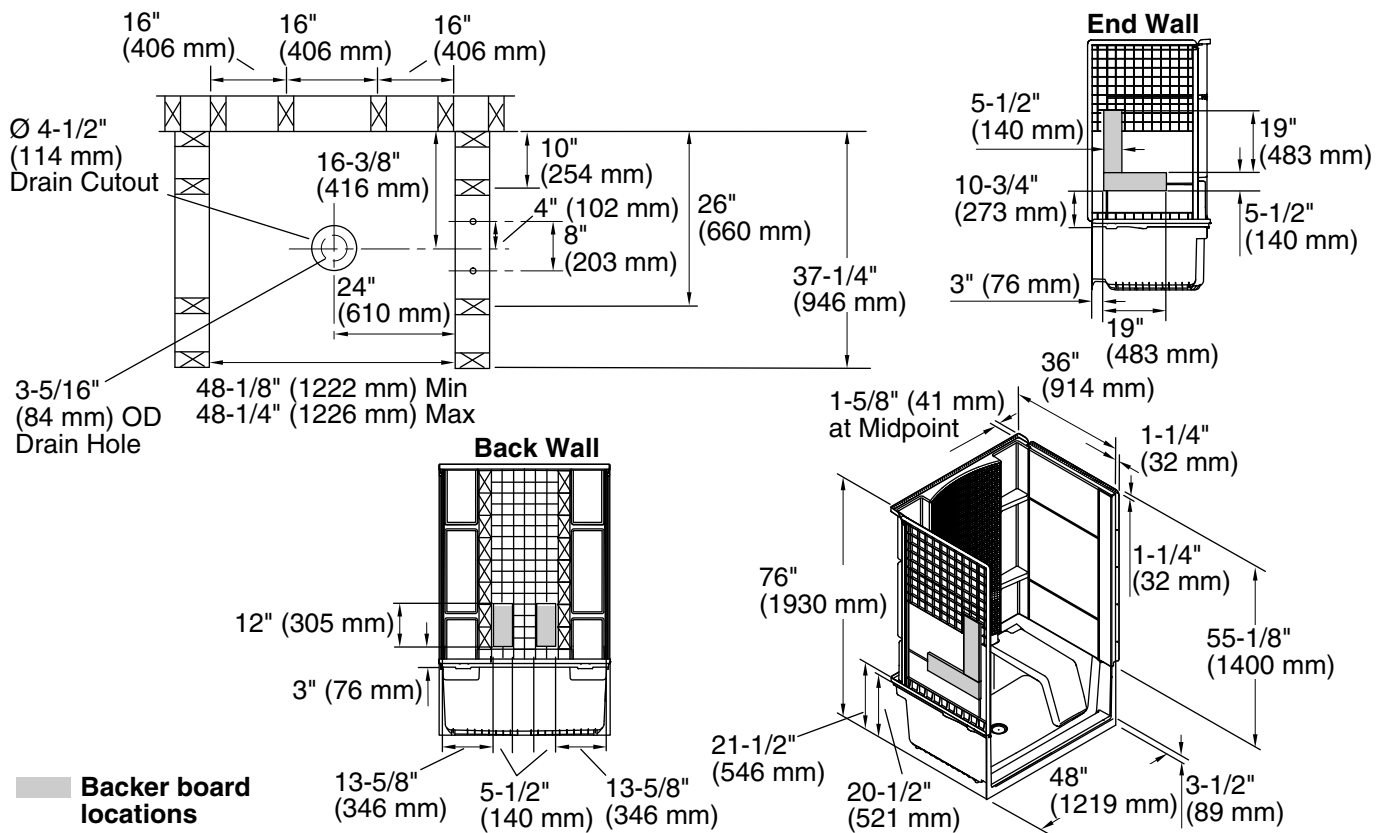
Size the drain cutout to fit the drain assembly that will be used.

Horizontally mounted grab bar must be curved to fit back wall.

End stud positioning is critical. Double studding is recommended for pivot shower door installations.

Studs should be positioned roughly as shown.

Base cannot be installed without the wall surround.



## Product Diagram

ACCORD® 48" (1219 mm) SEATED BASE AND SURROUND W/BACKER BOARDS