

STERLING®

A KOHLER COMPANY

LATITUDE®

UTILITY SINK 995



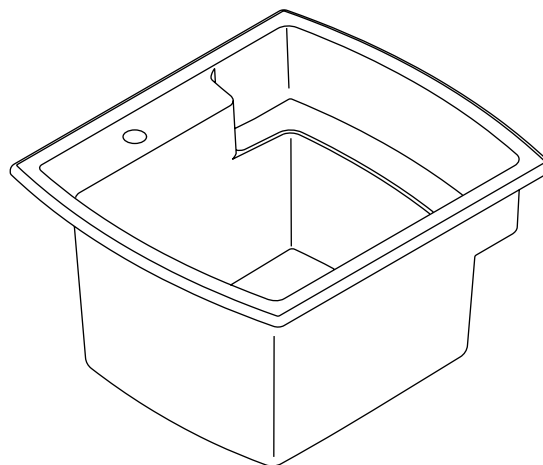
Features

- Compression molded from our exclusive solid Vikrell® material
- Multi-functional stepped design
- Self-rimming or undercounter
- Durable Bond finish
- Up to 3-faucet hole configuration
- Lifetime limited consumer/3-year limited commercial warranty
- 25" (63.5 cm) x 22" (55.9 cm) x 12-1/4" (31.1 cm)

Codes/Standards Applicable

Specified model meets or exceeds the following:

- ANSI Z124.6
- ASTM E162
- ASTM E662
- CSA B45.0
- CSA B45.5



Colors/Finishes

- 0: White
- 47: Almond
- 96: Biscuit

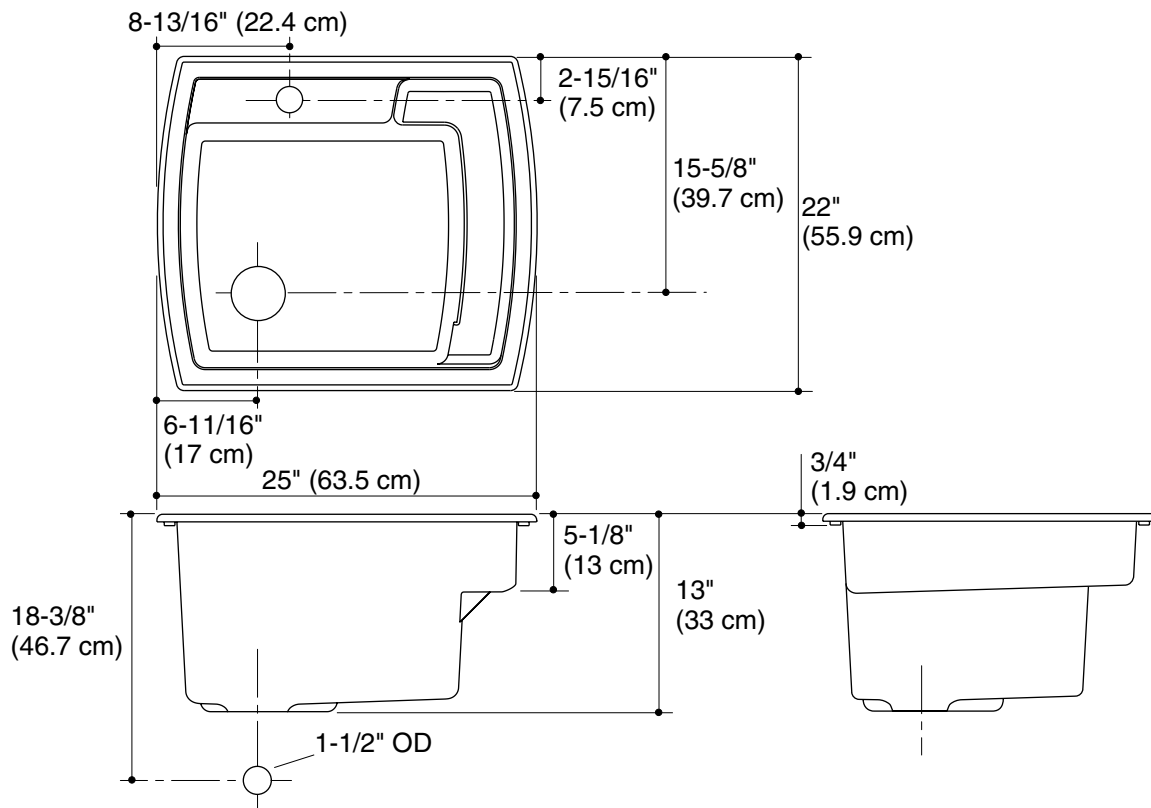
Specified Model

Model	Description	Quantity	Basin Depth	Colors/Finishes		
995	Utility sink - self-rimming	1	12-1/4" (31.1 cm)	<input type="checkbox"/> 0	<input type="checkbox"/> 47	<input type="checkbox"/> 96
995-U	Utility sink - undercounter	1	12-1/4" (31.1 cm)	<input type="checkbox"/> 0	<input type="checkbox"/> 47	<input type="checkbox"/> 96
F995	Utility sink - self-rimming	4	12-1/4" (31.1 cm)	<input type="checkbox"/> 0	<input type="checkbox"/> 47	<input type="checkbox"/> 96
F995-U	Utility sink - undercounter	4	12-1/4" (31.1 cm)	<input type="checkbox"/> 0	<input type="checkbox"/> 47	<input type="checkbox"/> 96

*Note: Add appropriate color/finish code to the end of the unit model number when ordering

Technical Information

Fixture*:	
Basin area	22" (55.9 cm) x 16" (40.6 cm)
Drain hole	3-1/2" (8.9 cm) D.
Faucet hole	1-3/8" (3.5 cm) D.
* Approximate measurements for comparison only.	
Included components:	
Cut-out template (Self-rimming/Undercounter installation)	1148620-7



Product Diagram