

STERLING®

A KOHLER COMPANY

SOUTHHAVEN® X

SELF-RIMMING KITCHEN SINK 11879

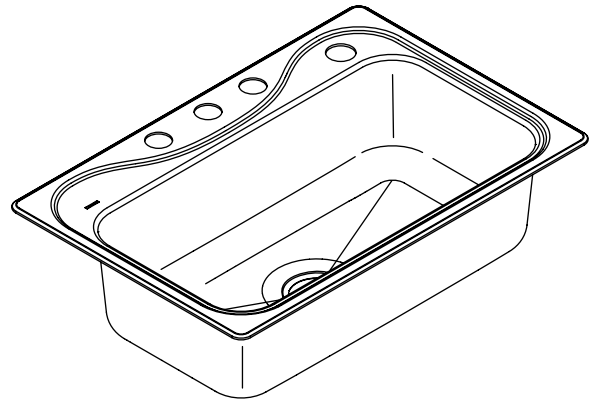
Features

- 19-gauge stainless steel
- Self-rimming, rolled rim
- Single compartment
- Includes SilentShield® sound-absorption technology
- Satin deck finish
- Luster basin finish
- Features contemporary design lines in sink basin
- 33" (83.8 cm) x 22" (55.9 cm) x 9-1/4" (23.5 cm)

Codes/Standards Applicable

Specified model meets or exceeds the following:

- ASME A112.19.3/CSA B45.4
- State of Massachusetts



Colors/Finishes

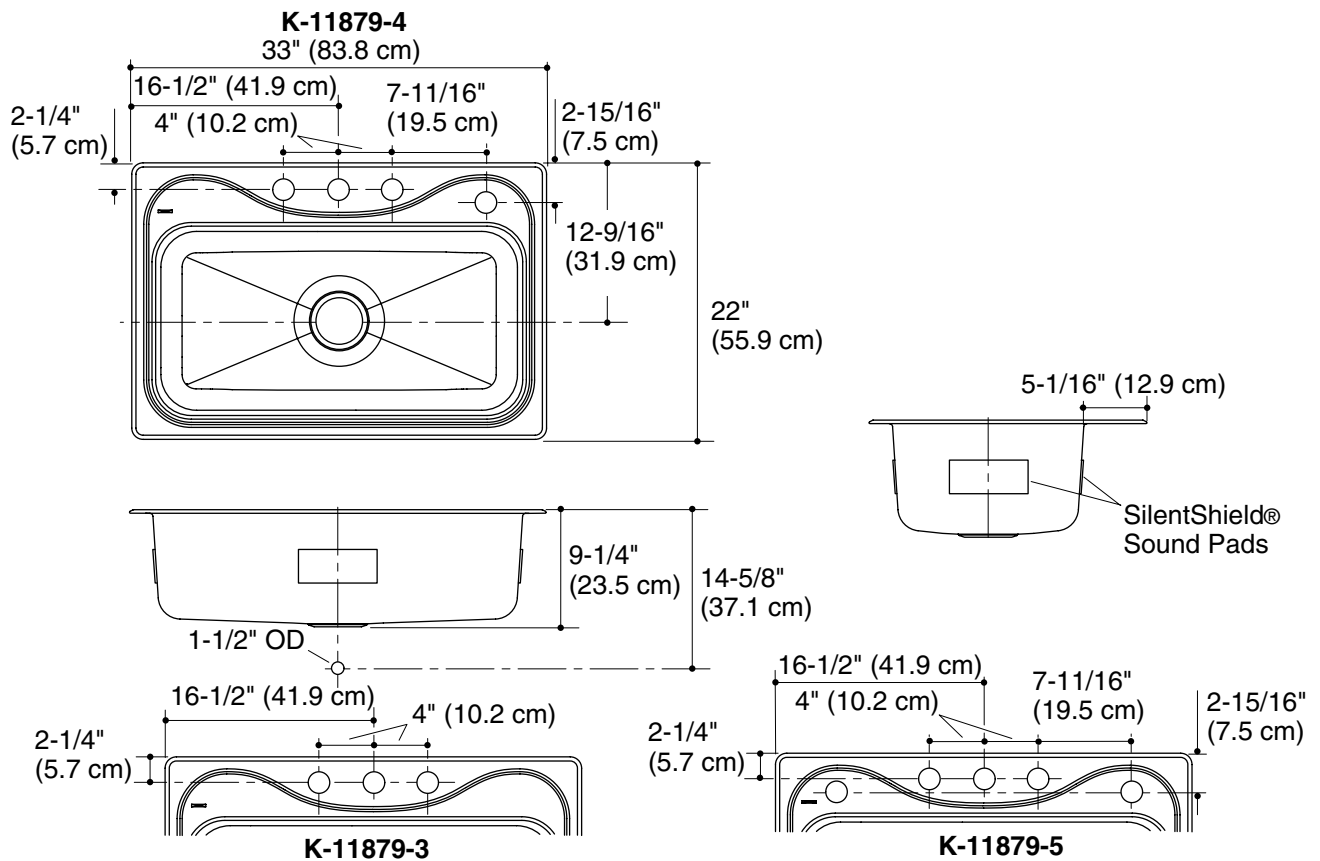
- NA: None applicable

Specified Model

Model	Description	Faucet Holes	Quantity	Basin Depth	Colors/Finishes
11879-3	Stainless steel single basin sink – 3 holes	3	1	9" (22.9 cm)	<input type="checkbox"/> NA
11879-4	Stainless steel single basin sink – 4 holes (shown)	4	1	9" (22.9 cm)	<input type="checkbox"/> NA
11879-5	Stainless steel single basin sink – 5 holes	5	1	9" (22.9 cm)	<input type="checkbox"/> NA

Technical Information

Fixture*:	
Sink	
Basin area	29-1/4" (74.3 cm) x 15" (38.1 cm)
Water depth	9" (22.9 cm)
Drain hole	3-5/8" (9.2 cm) D.
Faucet holes	1-7/16" (3.7 cm) D.
* Approximate measurements for comparison only.	
Cut-out template	1032929-7 (Available at sterlingplumbing.com)



Product Diagram