



**Features**

- Modular design allows it to be moved around corners and through doorways with ease.
- Durable high gloss finish.
- Realistic tile wall surround features molded in shelves for generous storage.
- In-tub removable seat mounts directly to the back of the bath and rests on the apron.
- Includes 1-1/2" (38 mm) OD stainless steel grab bars.
- 17-1/4" (438 mm) bath depth (floor to top of threshold).
- 60" (1524 mm) x 30" (762 mm) x 74-1/4" (1886 mm) complete unit finished dimensions.

**Material**

- Compression molded from our exclusive Vikrell® material.

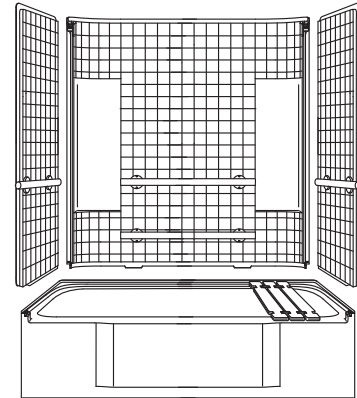
**Installation**

- Four-piece modular design with pivot "snap together" installation.
- Caulk-less seam installation.

**Components**

Product includes:

- 71144123 60"x30" ADA Tile Wall Set with Grab Bars
- 71141124 60" x 30" ADA Bath



**ADA**

**Codes/Standards**

- CSA B45.5/IAPMO Z124
- ASTM E162
- ASTM E662
- Greenguard UL 2818 - Gold
- ADA
- ICC/ANSI A117.1
- HUD, UM Bulletin 73

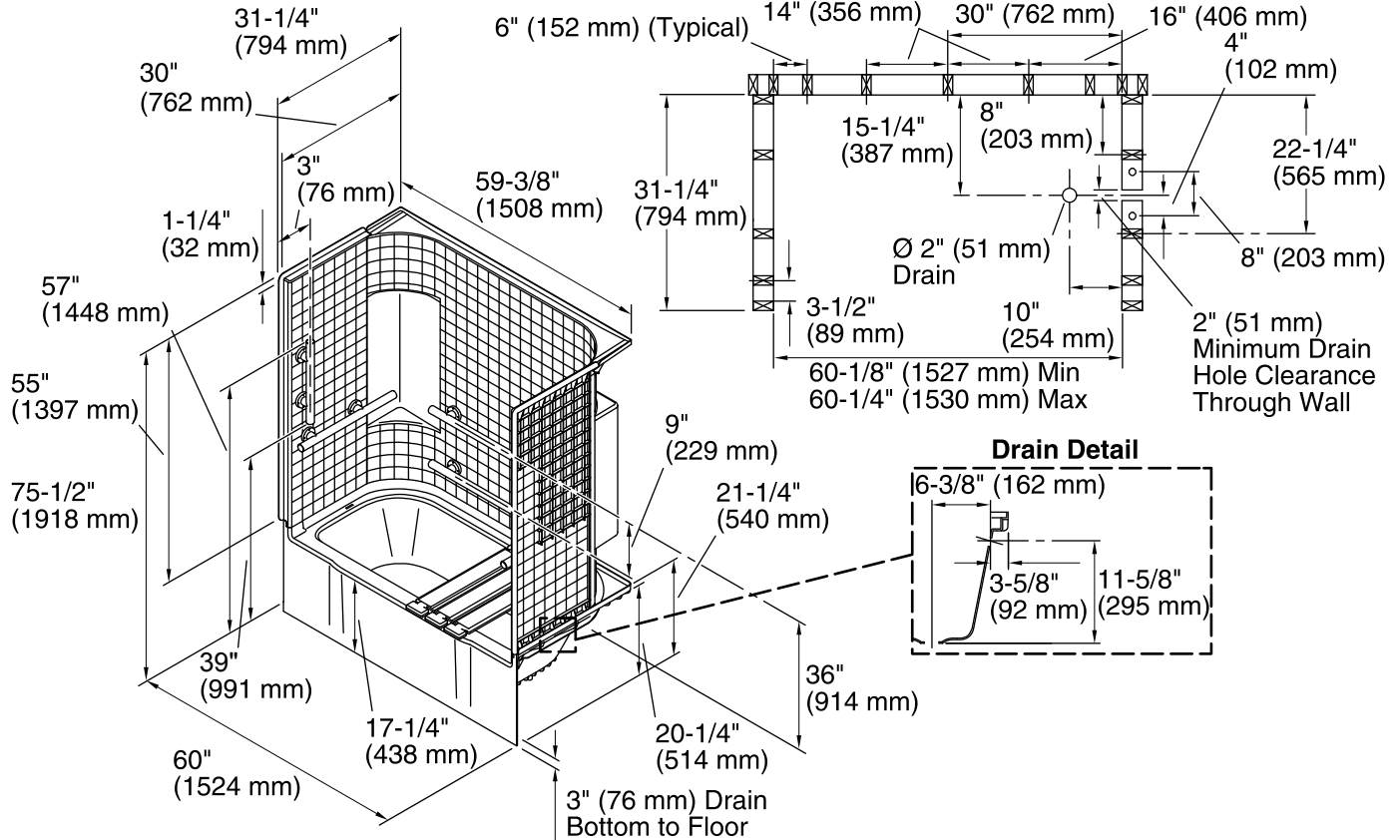
**STERLING® Warranty - Fixtures Made of Solid Vikrell Material**

See website for detailed warranty information.

**Available Color/Finishes**

*Color tiles intended for reference only.*

Color	Code	Description
	0	White
	96	Biscuit



### Technical Information

All product dimensions are nominal.

Installation:	3-Wall Alcove
Drain location:	Right
Basin area, bottom:	46-1/4" x 20-1/2" (1175 mm x 521 mm)
Basin area, top:	52-1/4" x 22-1/2" (1327 mm x 572 mm)
Water depth:	11" (279 mm)
Water capacity:	34 gal (128.7 L)
Door height required:	56-3/4" (1441 mm)
Door width required:	56-1/2" (1435 mm)

### Notes

Measure your actual product for roughing-in details.

Install this product according to the installation guide.

Double studing is recommended for pivot shower door installations.

Product is designed to be used with a single-hole mixer valve with an escutcheon cover not to exceed 7-3/4" (197 mm) in width.

Studs should be positioned roughly as shown.

Bath cannot be installed without the wall surround.

Width of back wall at the top transitions from 60" (1524 mm) at the front to 59-3/8" (1508 mm) in the back corners. Furring strips approximately 1/4" (6 mm) thick should be used at the back corner studs if drywall is to be installed over the nailing flange.

ADA compliant when installed to the specific requirements of these regulations.