

Features

- Door swings outward.
- 7" In-line panel consists of clear glass for clear and patterned glass options; textured glass options will have matching panel.
- Full-length magnetic door latch.
- For right-side or left-side opening.
- Maximum 3-1/2" width adjustability w/ in-line panel.



Codes/Standards

ANSI Z97.1 (Tempered Glass)
CPSC 16CFR 1201 Cat II
ASTM C1036
ASTM C1048
ANSI Z97.1 (Tempered Glass)
CPSC 16CFR 1201

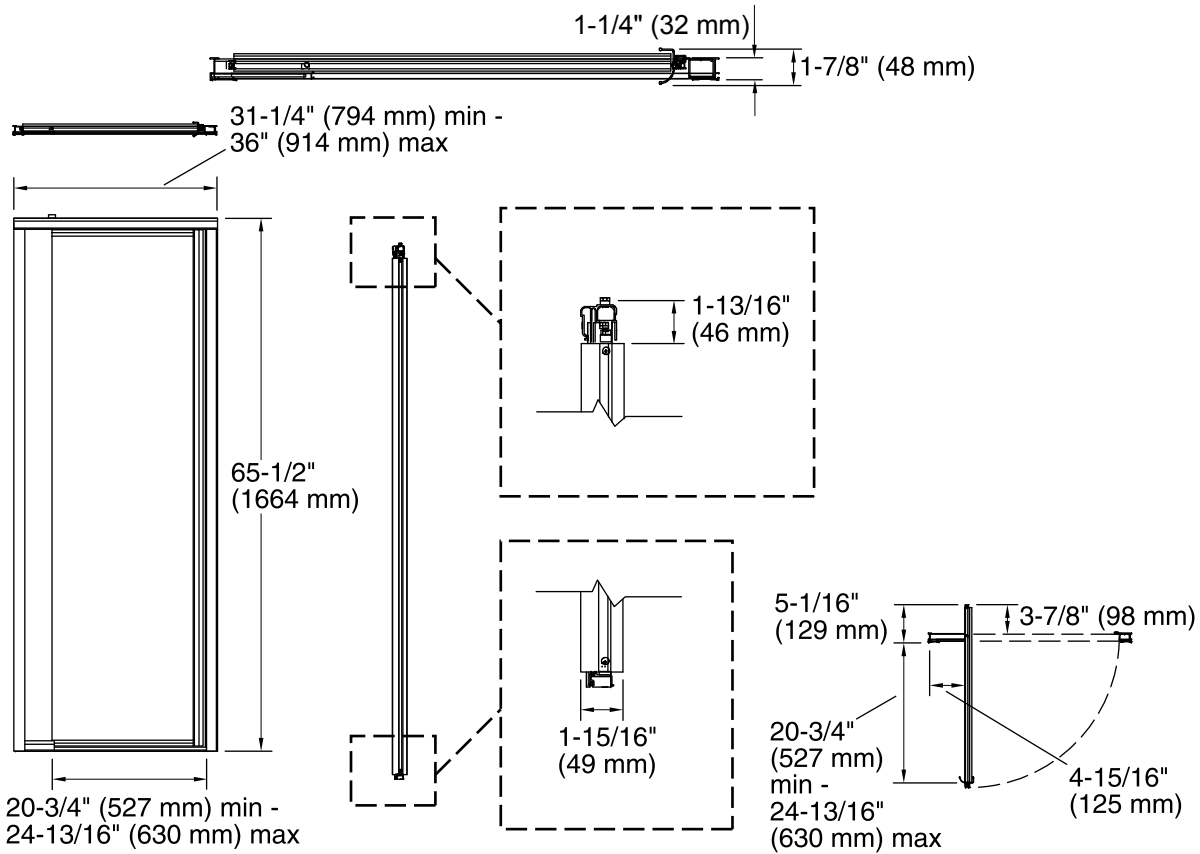
STERLING® Warranty - Bath and Shower Doors

See website for detailed warranty information.

Available Color/Finishes

Color tiles intended for reference only.

Color	Code	Description
	N	Nickel



Technical Information

All product dimensions are nominal.

- Frame material: Aluminum
- Walk-through - Min: 31-1/4" (794 mm)
- Walk-through - Max: 36" (914 mm)
- Glass thickness: 1/8" (4 mm)

Notes

Install this product according to the installation guide.