

# Homeowners Guide

## Whirlpool Bath

66051100, 66051101, 76051100,  
76051101, 76091110, 76091120,  
76101110, 76101120, 76111110,  
76111120, 76131100, 76141110,  
76141120, 76151110, 76151120  
76261110, 76261120, 76271100  
76281100

Français, page "Français-1"  
Español, página "Español-1"



# Important Information

## INSTRUCTIONS PERTAINING TO A RISK OF FIRE, ELECTRICAL SHOCK, OR INJURY TO PERSONS

### READ AND FOLLOW ALL INSTRUCTIONS

### SAVE THESE INSTRUCTIONS



**WARNING:** When using electrical products, basic precautions should always be followed, including the following:



**DANGER: Risk of personal injury.** To reduce the risk of injury, do not permit children to use this unit unless they are closely supervised at all times.



**WARNING: Risk of personal injury.** To avoid injury, exercise care when entering or exiting the whirlpool.



**WARNING: Risk of electric shock.** Do not permit electric appliances (such as a hair dryer, lamp, telephone, radio, or television) within 5' (1.5 m) of this whirlpool.



**WARNING: Risk of hyperthermia.** People using medications and/or having an adverse medical history should consult a physician before using a whirlpool equipped with a heater.

An equipment grounding terminal is provided in the field wiring compartment. To reduce the risk of electric shock, this terminal must be connected to the grounding means provided in the electric supply panel with a conductor equivalent in size to the circuit conductors supplying this whirlpool.

A pressure wire connector is provided on the exterior of the pump or control within this unit to permit connection of a bonding conductor between this unit and all other exposed metal in the vicinity, as needed to comply with local requirements.

Use this whirlpool only for its intended purpose as described in this manual. Do not use attachments not recommended by the manufacturer.

Never drop or insert any object into any opening.

Do not operate this unit without the guard (cover) over the suction fitting.

The whirlpool must be connected only to a supply circuit that is protected by a Ground-Fault Circuit-Interrupter (GFCI) or Residual Current Device (RCD). Such a GFCI or RCD should be provided by the installer and should be tested on a routine basis. To test the GFCI or RCD, press the test button. The GFCI or RCD should interrupt power. Press the reset button. Power should be restored. If the GFCI or RCD fails to operate in this manner, the GFCI or RCD is defective. If the GFCI or RCD interrupts power to the bath without the test button being pressed, a ground current is flowing, indicating the possibility of an electric shock. Do not use this whirlpool bath. Disconnect the whirlpool and have the problem corrected by a qualified service representative before using.

**NOTICE:** The whirlpool is provided with an electrical cord sized for the application. Do not replace the existing cord with one of a smaller size. All repairs to the cord must be performed by qualified electricians and in accordance with local code requirements.



**WARNING: Risk of personal injury. The use of alcohol, drugs, or medication can greatly increase the risk of fatal hyperthermia.** Prolonged immersion in hot water may induce hyperthermia. Hyperthermia occurs when the internal temperature of the body reaches a level several degrees above the normal body temperature of 98.6°F (37°C). The symptoms of hyperthermia include an increase in the internal temperature of the body, dizziness, lethargy, drowsiness, and fainting. The effects of hyperthermia include: (a) failure to perceive heat, (b) failure to recognize the need to exit the bath, (c) unawareness of impending hazard, (d) fetal damage in pregnant women, (e) physical inability to exit the bath, and (f) unconsciousness resulting in the danger of drowning.

### Important Information (cont.)

**IMPORTANT!** Flush your whirlpool system twice a month or more depending upon usage, as described in Care and Cleaning Instructions in this manual.

Do not allow the water temperature in the whirlpool to exceed 104°F (40°C).

Keep small objects such as bath toys and bathing accessories out of the whirlpool while the unit is running.

Repeated use of personal care products containing oils can damage plastic whirlpool components. Do not use heavy, vegetable-based shampoos or bath oils.

Whirlpool hydro-massage action can cause even a small amount of bubble bath, bath soap, shampoo, or bath oil to foam excessively. For this reason, please don't use these products during whirlpool operation.

### Thank You For Choosing Sterling

Thank you for choosing Sterling. Sterling craftsmanship offers you a rare combination of proven performance and graceful sophistication that will satisfy you for years to come. The dependability and beauty of your Sterling product will surpass your highest expectations. We're very proud of our products here at Sterling and we know you will be too.

Please take a few minutes to study this Homeowners Guide. Pay special attention to the care and cleaning instructions.

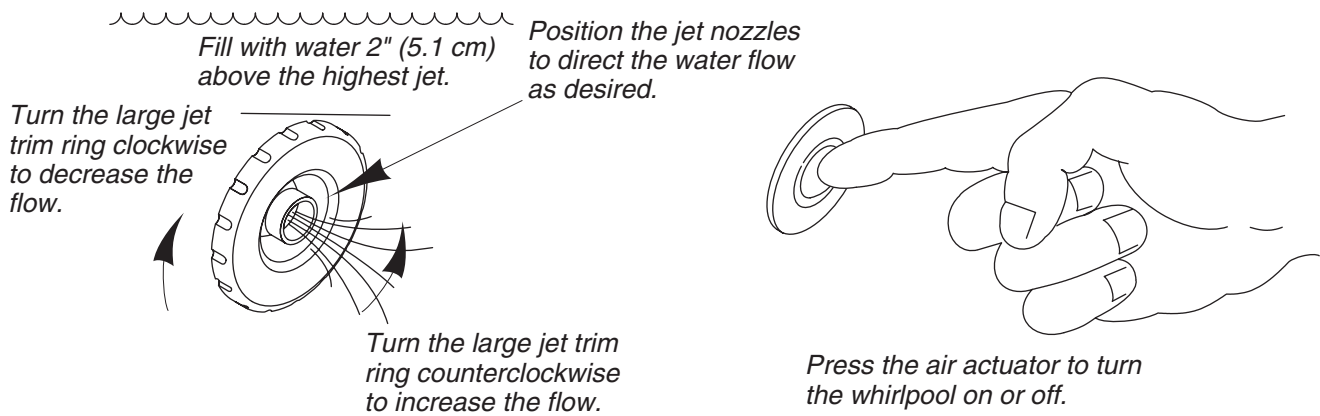
All information in this manual is based upon the latest product information available at the time of publication. At Sterling, we constantly strive to improve the quality of our products. We reserve the right to make changes in product characteristics, packaging or availability at any time without notice.

### Your Sterling Whirlpool Bath

Your whirlpool offers gentle relaxation and soothing warmth. The comforting hydro-massage action helps to improve circulation while relieving muscle tension and stress. The air actuator control is located within easy reach. Adjustable jets allow you to control the hydro-massage intensity and direction of flow.

Additionally, your new whirlpool or whirlpool/shower module offers you the following features:

- **Bathing Comfort** - The solid composite material retains room temperature so your bath will never be cold to the touch and your water temperature will not be reduced.
- **Secure Footing** - The bath offer a slip-resistant bottom to provide a safer bathing experience.
- **Smooth Bathing Surface** - The solid composite material retains both its smooth and textured surfaces. It does not chip, crack, or peel.
- **Uniform Solid Color** - The solid composite material is color-molded throughout the product. This material resists wear, does not show tiny scratches, and is easy to clean.
- **Durable Performance** - Strong supports are molded into each fixture. Baths retain their shape and provide years of dependable service.



## Operating Your Whirlpool

**NOTE:** The jet nozzles can be adjusted for flow. Turn the jet trim rings clockwise to reduce the flow or counterclockwise to increase the flow.

- Position all jet nozzles so they face down toward the basin.
- Turn the jet trim rings fully counterclockwise.
- Close the drain, then fill the whirlpool to a level at least 2" (5.1 cm) above the top of the highest jet.
- Use your hand to test the water temperature for comfort and safety, then carefully enter the bath basin.
- Press the air actuator to turn on the whirlpool.
- Adjust the jets for optimum air/water mixture.
- Position the jet nozzles to direct the water flow as desired to maximize your hydro-massage experience.
- Press the air actuator a second time to turn off the whirlpool.
- Carefully exit the bath, and open the drain to empty the whirlpool.

**NOTE:** If the whirlpool does not function properly, please refer to the "Troubleshooting" section.

## Care and Cleaning

### Cleaning Your Vikrell Whirlpool

For best results, keep the following in mind when caring for your STERLING product:

- Always test your cleaning solution on an inconspicuous area before applying to the entire surface.
- Wipe surfaces clean and rinse completely with water immediately after applying cleaner. Rinse and dry overspray that lands on nearby surfaces.
- Do not allow cleaners to sit or soak.
- Use a soft, dampened sponge or cloth. Never use an abrasive material such as a brush or scouring pad to clean surfaces.

For detailed cleaning information and products to consider, visit [www.sterlingplumbing.com/support.html](http://www.sterlingplumbing.com/support.html). To order Care & Cleaning information, call 1-800-456-4537.

### Flushing Your Whirlpool System

Flush your whirlpool system twice a month or more, depending upon usage.

## Care and Cleaning (cont.)

- Adjust the jets fully clockwise so there is no air induction.
- Fill the whirlpool with warm water to a level 2" (5.1 cm) above the highest jet, or leave water in the whirlpool after using.
- Add 2 teaspoons (10 ml) of a low-foaming, powder automatic dishwasher detergent and 20 oz. (591 ml) of household bleach (5% - 6% sodium hypochlorite) to the water.
- Run the whirlpool for 5 to 10 minutes. Then shut off the whirlpool and drain the water.
- If desired, rinse the whirlpool surfaces with water.
- Clean whirlpool surfaces as needed with recommended cleaners.

## Warranty

### Bathing Fixtures and Bathroom Lavatories - 10 Years Limited Residential / 3 Years Limited Commercial

### Kitchen Sinks - Lifetime Limited Consumer / 3 Years Limited Commercial

Based on the classification specified above, Sterling®, a division of Kohler Co., (Sterling) bathing fixtures and bathroom lavatories made of solid Vikrell™ material are warranted to be free of manufacturing defects for 10 years from the date of sale when fixtures are used in residential (owner-occupied) buildings, or 3 years from the date of sale when fixtures are used in commercial (hotels, motels, rental property) buildings.

Whirlpool baths are warranted to be free of manufacturing defects for the same period except for the pump/motor assembly, which is warranted to be free of manufacturing defects for 1 year from the date of sale.

Kitchen sinks made of solid Vikrell material are warranted to be free of manufacturing defects for as long as the original consumer purchaser owns his/her home, or for 3 years from the date of sale when used in commercial (hotels, motels, rental property) buildings.

Sterling will, at its election, repair, rectify or replace a fixture when Sterling's inspection discloses any such defects occurring in normal usage within the time period of coverage stated above. Sterling is not responsible for removal or installation costs where replacement is indicated. Damages due to improper handling, installation or maintenance are not considered manufacturing defects and are not covered by this warranty. This warranty is valid for the original, consumer purchaser only.

To obtain warranty service, contact Sterling, either through your plumbing contractor, home center, wholesaler or dealer, or by calling or writing Sterling, Consumer Services, 444 Highland Drive, Kohler, Wisconsin, 53044, 1-800-783-7546.

**To the extent permitted by law, all implied warranties including those of merchantability and fitness for a particular purpose are hereby disclaimed. Sterling and seller hereby disclaim any liability for special, incidental, or consequential damages.** Some states/provinces do not allow limitations on how long an implied warranty lasts, or the exclusion or limitation of special, incidental or consequential damages, so these limitations and exclusions may not apply to you. This warranty gives you specific legal rights. You may have other rights, which vary from state/province to state/province.

**This is Sterling's exclusive written warranty.**

## Warranty

KOHLER CO.

It is recommended that at the time of purchase, you verify that all accessories and components are complete in this package.

This Sterling product is warranted to be free of defects in material and workmanship for one (1) year from the date of purchase as shown on the invoice or receipt.

## Warranty (cont.)

1. Kohler Co. will only service its commercialized products through its authorized distributors.
2. To obtain warranty service, please present the invoice and corresponding warranty.
3. Through its authorized distributors, Kohler Co. promises to repair the defective product or provide a new replacement or an equivalent model (in those cases that the model has been discontinued) when the product is beyond repair, without any charge to the consumer.
4. The time of repair will not exceed six (6) weeks commencing on the date the product is received.
5. It is recommended that the consumer save the invoice or receipt as additional protection, as it may substitute the warranty in the case that there is a discrepancy in the validity of the warranty.

### EXCEPTIONS AND RESTRICTIONS

The Warranty will not be valid in the following cases:

1. When the product is not operated in accordance with the instructions concerning use and operation set forth in the owner's manual or installation instructions, and when the recommendations and warnings included are not observed.
2. When the product has been modified or dismantled partially or totally; or has been used in a negligent fashion and as a consequence has suffered damages attributable to the consumer, individual, or hardware not authorized by Kohler Co.
3. This warranty does not cover the damages as a result of disaster such as fire or acts of God, including flooding, earthquake, or electric storms, etc. To obtain a list of distributors in your area where you can exercise your rights under this warranty, please call 001-877-680-1310.

KOHLER CO., KOHLER, WI 53044 U.S.A.

### IMPORTER:

INTERNACIONAL DE CERÁMICA, S.A.B. DE C.V.

AV. CARLOS PACHECO NO. 7200

CHIHUAHUA, CHIH., MEXICO C.P. 31060

TEL: 52 (14) 29-11-11

## Troubleshooting

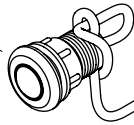
This troubleshooting guide is for general aid only. A Sterling Authorized Service Representative or qualified electrician should correct all electrical problems. For warranty service, contact your dealer or wholesale distributor.

Symptoms	Probable Causes	Recommended Action
1. Whirlpool does not start/stop.	A. No power to the pump motor.	A. Set or Reset the GFCI breaker. Check the wiring. If the problem persists, refer to your installer or dealer.
	B. Air actuator does not work.	B. Check the air tube connections. Replace the air actuator. Refer to your installer or dealer.
	C. Pump motor does not work.	C. Replace the pump motor. Refer to your installer or dealer.
2. Motor starts, all jets are not functioning.	A. Jet is closed.	A. Rotate the jet trim ring counterclockwise to open.
	B. Jets are blocked.	B. Remove the blockage.

**Troubleshooting (cont.)**

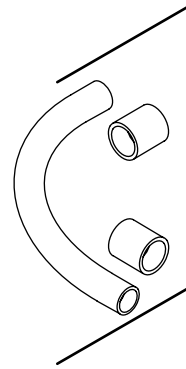
<b>Symptoms</b>	<b>Probable Causes</b>	<b>Recommended Action</b>
3. Whirlpool stops by itself.	A. GFCI trips.	A. Identify the source of fault and correct it. If the problem persists, refer to your installer or dealer.
	B. Suction blocked.	B. Remove the obstruction.
	C. Jets are blocked.	C. Remove the blockage.
	D. The motor has overheated and protection device has activated.	D. Check for blockage at the motor vents. Remove blockage and allow motor to cool. Check for suction blockage. Remove the blockage and allow motor to cool. Check for jet blockage. Remove the blockage and allow motor to cool.
4. Whirlpool is noisy.	A. The pump banding straps that hold the pump to the bath have not been cut.	A. Cut the pump banding straps with tin snips.

1041995\*\*  
Air Switch



To Pump

1042083  
Tubing Nut



93836 (1/2")  
93838 (1")  
93839 (1-1/4")  
94853 (1-1/2")  
Tube (w/Couplings)

1011001  
Flange Removal Tool



67665  
Plug



91967

Check Valve



1013250  
Nut



1008241  
Gasket



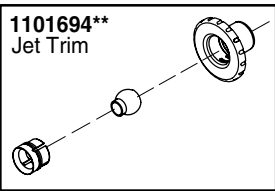
1013249  
Nozzle

1008238  
Jet Housing

1008239  
Flange



1101694\*\*  
Jet Trim



1015161  
Jet Trim Tool



73518  
Plug



93685  
Housing



96708  
Flange



96895\*\*  
Suction Cover



65886  
Gasket



65226\*\*  
Suction Cover Plug



65054\*\*  
Screw



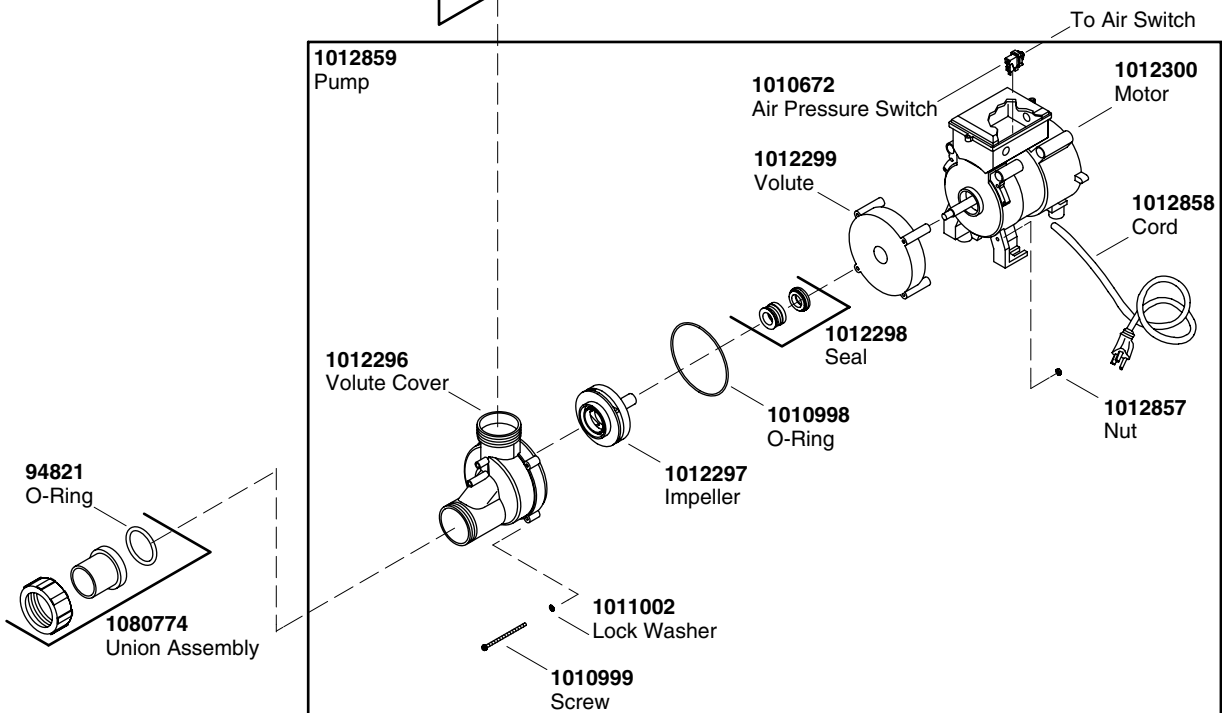
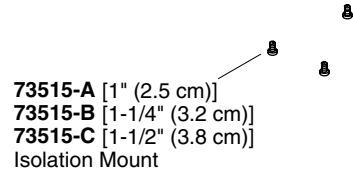
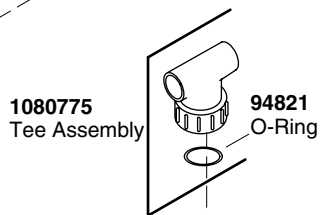
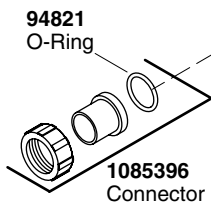
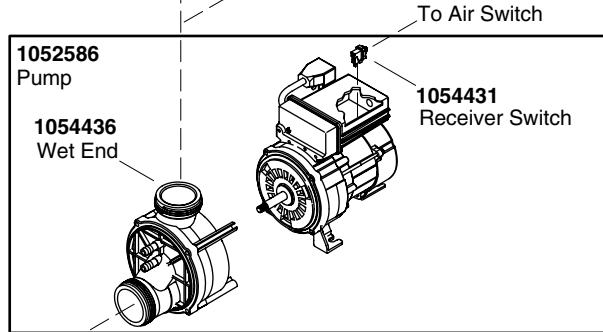
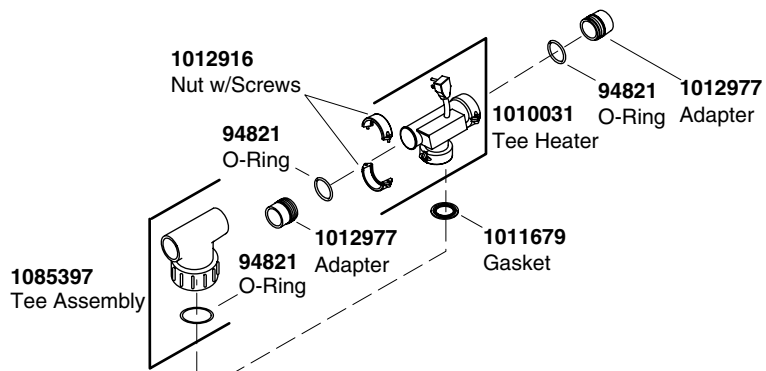
1003065  
Suction Flange  
Removal Tool



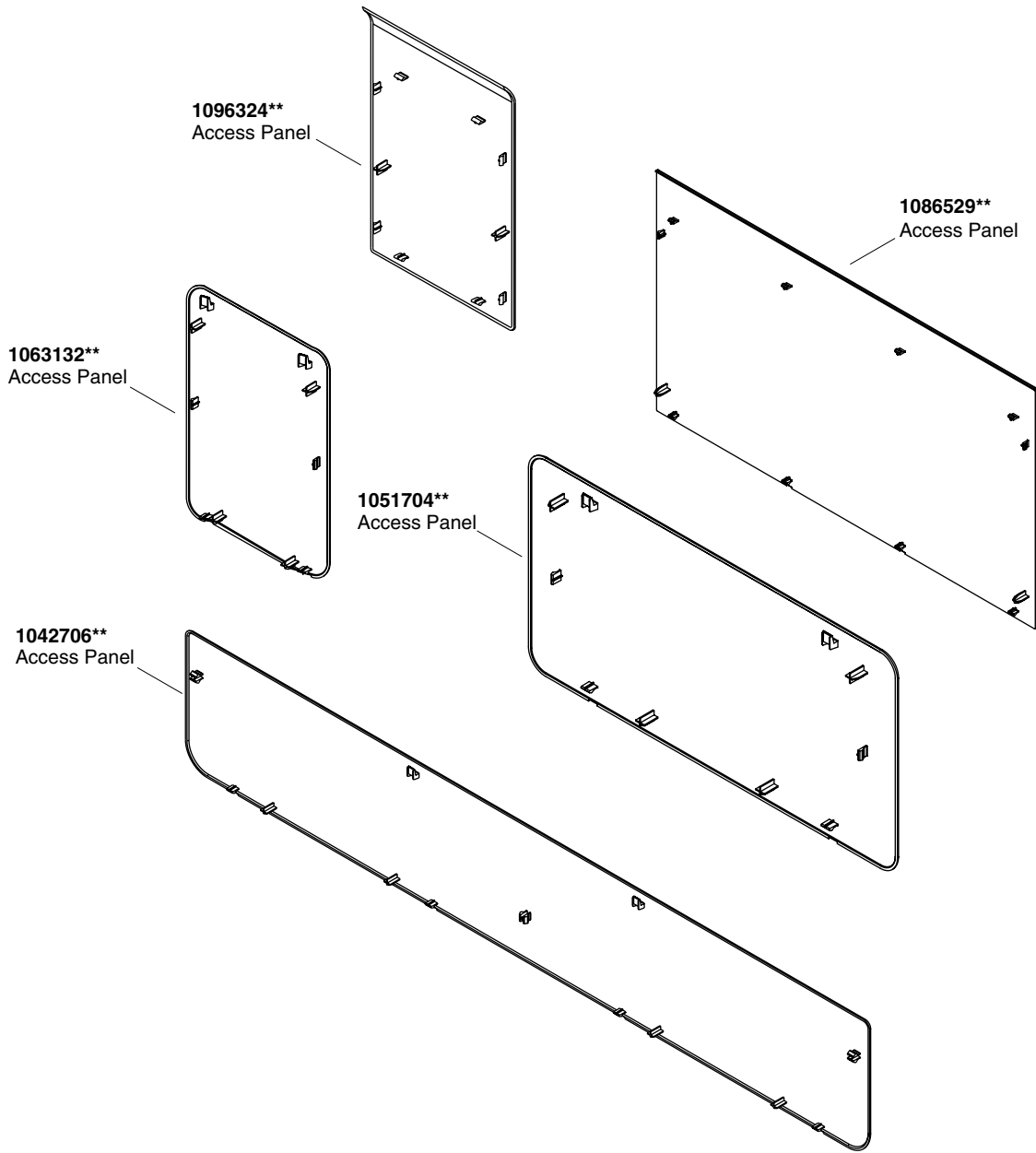
\*\*Finish/color code must be specified when ordering.

## Service Parts





**\*\*Finish/color code must be specified when ordering.**



**\*\*Finish/color code must be specified when ordering.**

# Guide du propriétaire

## Baignoire à hydromassage

### Informations importantes

#### INSTRUCTIONS RELATIVES AUX RISQUES D'INCENDIE, D'ÉLECTROCUTION OU DE BLESSURES CORPORELLES

#### LIRE ET SUIVRE TOUTES LES INSTRUCTIONS CONSERVER CES INSTRUCTIONS



**AVERTISSEMENT :** Lors de l'utilisation des produits électriques, des précautions de base doivent toujours être observées, incluant ce qui suit :



**DANGER :** Risque de blessures corporelles. Afin de réduire les risques de blessures, ne jamais permettre à un enfant d'utiliser cet appareil sans surveillance.



**AVERTISSEMENT :** Risque de blessures corporelles. Pour éviter les blessures corporelles, entrer et sortir avec précaution de la baignoire à hydromassage.



**AVERTISSEMENT :** Risque d'électrocution. Ne pas raccorder d'appareils électriques (tels que sèche-cheveux, lampe, téléphone, radio ou télévisions) dans les 5' (1,5 m) de cette baignoire à hydromassage.



**AVERTISSEMENT :** Risque d'hyperthermie. Les personnes sous médicaments ou qui sont en observation médicale doivent consulter leur médecin avant d'utiliser des baignoires à hydromassage équipées de chauffe-eau.

Une borne de mise à la terre est incluse dans le boîtier du câblage. Afin de réduire les risques d'électrocution, ce terminal doit être raccordé à la borne de mise à la terre du panneau du service électrique, avec un câble ayant le même calibre que celui du circuit de contrôle qui alimente cet équipement.

Un connecteur à pression par câble est prévu à l'extérieur de la pompe ou de la commande de cet appareil afin de permettre la connexion entre l'appareil et toutes autres surfaces de métal avoisinantes, tel que requis par les normes locales.

Utiliser cette baignoire à hydromassage uniquement pour un usage tel que décrit dans ce manuel. Ne pas utiliser des fixations non recommandées par le fabricant.

Ne jamais faire tomber ou insérer d'objet quelconque dans les ouvertures.

Ne pas utiliser cet appareil sans ses protecteurs (couvercles) sur ses raccords d'aspiration.

La baignoire à hydromassage doit être raccordée uniquement à une prise de terre, protégée par un disjoncteur différentiel (GFCI) ou un appareil de courant résiduel (RCD). De tels disjoncteurs GFCI ou RCD devraient être fournis par l'installateur et vérifiés régulièrement. Appuyer sur le bouton de test pour tester les disjoncteurs GFCI ou RCD. Le GFCI ou RCD devraient couper le courant. Appuyer sur le bouton de ré-initialisation. L'alimentation devrait être restituée. Si les disjoncteurs GFCI ou RCD ne fonctionnent pas de cette façon, l'un ou l'autre est défectueux. Si les disjoncteurs GFCI ou RCD stoppent l'alimentation électrique à la baignoire sans que le bouton test ne soit utilisé, il y a donc un court circuit indiquant la possibilité de choc électrique. Ne pas utiliser pas cette baignoire à hydromassage. Débrancher la baignoire à hydromassage et la faire réviser par un technicien qualifié avant son utilisation.

## Informations importantes (cont.)

**AVIS :** La baignoire à hydromassage est fournie avec un câble électrique de taille appropriée pour l'application. Ne pas remplacer le câble existant avec un câble de taille plus petite. Toutes réparations au câble doivent être effectuées par des électriciens qualifiés et en accord avec les exigences de codes locaux.



**AVERTISSEMENT : Risque de blessures corporelles. La consommation d'alcool, de drogues ou de médicaments peuvent augmenter considérablement le risque fatal d'hyperthermie.** Une immersion prolongée dans l'eau chaude peut provoquer l'hyperthermie. L'hyperthermie a lieu lorsque la température corporelle interne atteint plusieurs degrés au dessus de la température normale de 98,6°F (37°C). Les symptômes d'hyperthermie comprennent la hausse de la température corporelle, l'étourdissement, la léthargie, la somnolence et l'évanouissement. Les effets de l'hyperthermie comprennent: (a) défaut de percevoir la chaleur, (b) défaut de s'apercevoir du besoin de sortir de la baignoire, (c) incapacité de reconnaître le danger, (d) dommages au fœtus dans le cas des femmes enceintes, (e) incapacité physique de sortir de la baignoire et (f) inconscience et danger conséquent de noyade.

**IMPORTANT !** Rincer le système d'hydromassage deux fois par mois ou plus souvent, selon l'usage, tel que décrit dans la rubrique Entretien et nettoyage dans ce manuel.

Ne pas laisser la température de la baignoire à hydromassage excéder 104° F (40°C).

Ne pas laisser de petits objets tels que des jouets ou accessoires pour le bain dans la baignoire à hydromassage lorsqu'elle est en marche.

L'utilisation répétée de produits d'hygiène et de beauté contenant des huiles peut endommager les revêtements en plastique des composants de la baignoire à hydromassage. Ne pas utiliser de shampoings ou d'huiles de bains à bases végétales.

L'action de la baignoire à hydromassage peut considérablement faire mousser une quantité de produit moussant, même très petite, de savon, de shampoing ou d'huile pour le bain. Pour cette raison, nous vous conseillons de ne pas utiliser ces produits dans votre baignoire à hydromassage.

## Merci d'avoir choisi Sterling

Merci d'avoir choisi Sterling. Le travail soigné des artisans de Sterling vous fera apprécier une rare combinaison de performances prouvées et une sophistication gracieuse, qui vous satisferont pour les années à venir. La fiabilité et la beauté de votre produit Sterling surpasseront vos plus grandes espérances. Chez Sterling, nous sommes fiers du rendement de nos produits et nous savons que vous le serez aussi.

Veillez prendre s'il vous plaît quelques minutes pour consulter ce guide du propriétaire. Prêter une attention toute particulière aux instructions d'entretien et de nettoyage.

Toute l'information dans ce manuel est basée sur la dernière disponible au moment de la publication. Chez Sterling, nous veillons toujours à améliorer la qualité de nos produits. Nous nous réservons le droit d'apporter des modifications aux caractéristiques, emballages et disponibilités des produits à tout moment, et ce sans préavis.

## Votre Baignoire à hydromassage Sterling

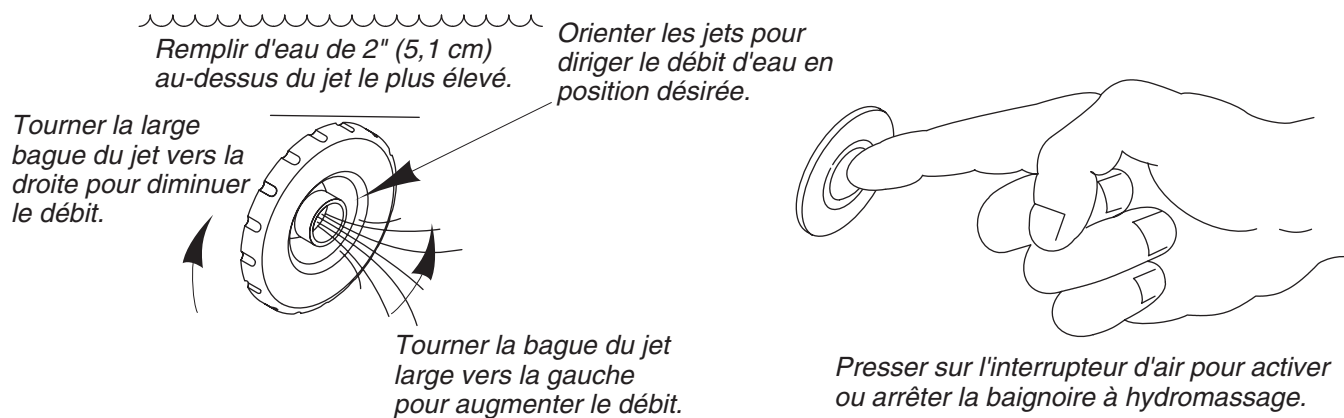
La baignoire à hydromassage vous offre les bienfaits relaxants d'un bain chaud. L'action d'hydromassage contribue à améliorer la circulation et à éliminer les tensions de la journée. La commande d'actionneur pneumatique est située à la portée de la main. Les jets réglables permettent de contrôler l'intensité d'hydromassage, ainsi que la direction du débit.

Votre nouvelle baignoire à hydromassage ou module baignoire à hydromassage/douche offre par ailleurs les caractéristiques suivantes :

- **Confort de bain** -Le matériau composite solide maintient la température de la pièce pour que la baignoire ne soit jamais froide au toucher et pour que l'eau dans la baignoire ne se refroidisse pas.
- **Appui sûre** -La baignoire est dotée d'un fond anti-glissant pour assurer plus de protection pendant le bain.

### **Votre Baignoire à hydromassage Sterling (cont.)**

- **Surface de bain lisse** -Le matériau composite solide conserve à la fois ses surfaces lisses et à texture. Il résiste à l'écaillage, craquellement et ne pèle pas.
- **Couleur uniforme solide** -Le matériau composite solide est moulé selon la couleur pour tout le produit. Ce matériel résiste donc à l'usure, aux petites rayures et il est facile à nettoyer.
- **Performance durable** -Des supports robustes sont moulés dans chaque dispositif. Les baignoires conservent leur forme, en procurant de nombreuses années de service sans tracas.



## Opérer votre baignoire à hydromassage

**REMARQUE :** Les buses de jets peuvent être ajustées pour le débit. Tourner les bagues de garniture du jet vers la droite pour réduire le débit, ou vers la gauche augmenter celui-ci.

- Orienter toutes les buses des jets vers le fond du bassin.
- Tourner les bagues de garniture du jet complètement vers la gauche.
- Fermer le drain, puis remplir la baignoire à hydromassage à un niveau d'eau au moins 2" (5,1 cm) au-dessus du jet le plus élevé.
- Utiliser la main pour tester la température de l'eau pour le confort, puis entrer doucement dans la baignoire.
- Enfoncer sur l'actionneur pour activer l'hydromassage.
- Ajuster les jets pour un mélange optimal de l'eau et de l'air.
- Orienter les jets pour diriger le débit d'eau vers la direction désirée pour optimiser l'action d'hydromassage.
- Appuyer sur l'interrupteur d'air une seconde fois pour arrêter la baignoire à hydromassage.
- Sortir doucement de la baignoire à hydromassage, et ouvrir le drain pour la vider.

**REMARQUE :** Si la baignoire à hydromassage ne fonctionne pas correctement, se référer à la section "Dépannage".

## Entretien et nettoyage

### Nettoyage de la baignoire à hydromassage en Vikrell

Pour de meilleurs résultats, prendre ce qui suit en considération lors de l'entretien de votre produit STERLING:

- Toujours tester la solution de nettoyage sur une surface la moins évidente avant de l'appliquer sur la totalité de la surface.
- Essuyer les surfaces et rincer complètement avec de l'eau immédiatement après l'application du nettoyant. Rincer et sécher tout éclaboussure sur les surfaces avoisinantes.
- Ne pas permettre aux nettoyants de reposer.
- Utiliser une éponge ou un chiffon doux et humide. Ne jamais utiliser de matériau abrasif tel que brosse ou éponges à récuser pour nettoyer les surfaces.

Pour une information détaillée de nettoyage et des produits à considérer, visiter [www.sterlingplumbing.com/support.html](http://www.sterlingplumbing.com/support.html). Pour commander l'information d'entretien - nettoyage, composer le 1-800-456-4537.

## Entretien et nettoyage (cont.)

### Purger le système de baignoire d'hydromassage

Purger le système d'hydromassage deux fois par mois ou plus, selon la fréquence d'utilisation.

- Régler les jets afin d'éliminer toutes inductions d'air.
- Remplir la baignoire à hydromassage avec de l'eau chaude à un niveau d'au moins 2" (5,1 cm) au-dessus du jet le plus élevé, ou laisser l'eau dans la baignoire à hydromassage après l'usage.
- Ajouter à l'eau 2 petites cuillères (10 ml) d'un détergent pour lave-vaisselle peu moussant et 20 onces (591 ml) d'eau de javel domestique (5% - 6% d'hypochlorite de sodium).
- Faire fonctionner la baignoire à hydromassage pendant 5 à 10 minutes. Puis mettre en arrêt la baignoire à hydromassage et purger l'eau.
- Si désiré, rincer les surfaces de la baignoire à hydromassage avec de l'eau.
- Nettoyer les surfaces de la baignoire à hydromassage avec les nettoyeurs recommandés.

## Garantie

### Meubles de bain et lavabos de salles de bains - Garantie résidentielle limitée de 10 ans/Garantie commerciale limitée de 3 ans

### Éviers de cuisine - Garantie consommateur limitée à vie/ Garantie commerciale limitée 3 ans.

Sterling® Plumbing, une division de Kohler Co., garantit nos appareils de bains Sterling Vikrell™ contre tout défaut de fabrication pour 10 ans à partir de la date de vente où les appareils sont utilisés en building de résidence (occupée par le propriétaire), ou 3 ans à partir de la date de vente lorsque les appareils sont des buildings commerciaux (hôtels, motels, propriétés de location).

Sterling garantit les baignoires d'hydromassage contre tout défaut de fabrication pour la même période à l'exception de l'ensemble moteur/pompe, qui est garanti contre tout défaut de fabrication pour 1 an à partir de la date d'achat.

Les éviers de cuisine en matériau Vikrell sont garantis contre tout défaut de fabrication aussi longtemps que l'acquéreur initial est propriétaire de son domicile, ou pour une durée de trois ans à partir de la date d'achat lorsqu'ils sont utilisés dans des établissements commerciaux (hôtels, motels, maisons de location).

Sterling, à son choix, réparera, rectifiera, ou remplacera un appareil, si un défaut est décelé après inspection Sterling en cours d'usage normal domestique pendant la période de couverture citée ci-dessus. Sterling n'est pas responsables des coûts d'installation ou de démontage, dans le cas où un remplacement est nécessaire. Tous dommages dus à une manipulation ou installation erronées ou à un mauvais entretien du produit ne seront pas considérés comme défauts de fabrication, et ne seront pas couverts par la présente garantie. Cette garantie est valide pour l'acquéreur original uniquement.

Pour obtenir un service de garantie, contacter Sterling, soit par l'intermédiaire de votre plombier, concessionnaire, centre de rénovation, ou revendeur ou bien en appelant ou écrivant à Sterling, Consumer Services, 444 Highland Drive, Kohler, Wisconsin 53044, 1-800-783-7546.

**Dans la limite permise par la loi, toutes les garanties implicites y compris celles de qualité marchande et d'aptitude à un emploi particulier sont déclinées ici. Sterling et le vendeur déclinent toutes responsabilités contre tous dommages occasionnés, imprévisibles ou corrélatifs.** Certains états/provinces ne permettent pas la limitation sur la durée de la garantie implicite, ou l'exclusion ou la limitation de dommages spéciaux, accessoires ou indirects, et, par conséquent, ces limitations et exclusions pourraient ne pas s'appliquer dans votre cas. Cette garantie vous donne des droits légaux spécifiques. Vous pouvez également avoir d'autres droits qui varient d'un état/province à l'autre.

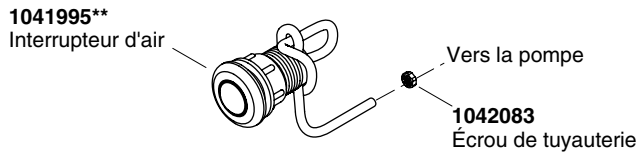
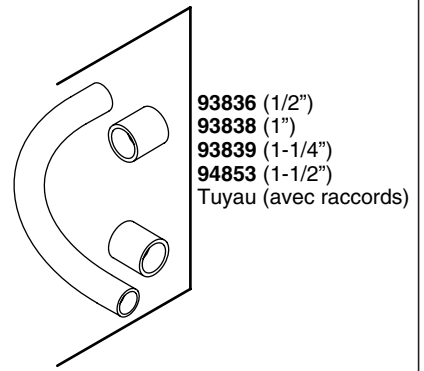
**Ceci constitue la garantie écrite exclusive de Sterling.**

## Dépannage

Ce guide de dépannage est seulement destiné à une aide générale. Seul un technicien agréé Sterling ou un électricien qualifié devrait corriger tous les problèmes électriques. Pour une réparation sous garantie, contacter le vendeur ou distributeur.

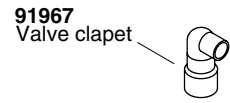
Symptômes	Causes probables	Action recommandée
1. La baignoire à hydromassage ne démarre/s'arrête pas.	A. Pas d'alimentation au moteur de la pompe.	A. Initialiser ou réinitialiser le disjoncteur différentiel GFCI. Vérifier le câblage. Si le problème persiste, contacter l'installateur/le concessionnaire.
	B. L'interrupteur d'air ne fonctionne pas.	B. Vérifier les connexions du tube d'air. Remplacer l'interrupteur d'air. Consulter l'installateur ou le revendeur.
	C. Le moteur de la pompe ne fonctionne pas.	C. Remplacer le moteur de la pompe. Consulter l'installateur ou le revendeur.
2. Le moteur démarre, tous les jets ne fonctionnent pas.	A. Le jet est fermé.	A. Tourner la bague du jet vers la gauche pour l'ouvrir.
	B. Les jets sont bloqués.	B. Retirer ce qui bouche.
3. La baignoire à hydromassage s'arrête d'elle-même.	A. Le disjoncteur différentiel GFCI se déclenche.	A. Identifier la source du problème puis y remédier. Si le problème persiste, contacter l'installateur/le concessionnaire.
	B. L'aspiration est bloquée.	B. Retirer l'obstruction.
	C. Les jets sont bloqués.	C. Retirer ce qui bouche.
	D. Le moteur a surchauffé et le disjoncteur de protection est activé.	D. Vérifier s'il y a blocage aux prises d'air du moteur. Retirer l'obstruction et laisser le moteur refroidir. Vérifier si la conduite d'aspiration n'est pas bouchée. Retirer l'obstruction et laisser refroidir le moteur. Vérifier si les jets sont bouchés. Retirer l'obstruction et laisser refroidir le moteur.
4. La baignoire à hydromassage est bruyante.	A. Les sangles qui maintiennent la pompe à la baignoire n'ont pas été sectionnées.	A. Couper les sangles de retenue avec une cisaille de ferblantier.





**1011001**  
Outil d'extraction de la bride

**67665**  
Bouchon



**1013250**  
Écrou

**1008241**  
Joint

**1013249**  
Buse

**1008238**  
Logement du jet

**1008239**  
Bride

**1101694\*\***  
Garniture du jet

**1015161**  
Outil pour garniture du jet

**73518**  
Bouchon

**93685**  
Logement

**96708**  
Bride

**96895\*\***  
Couvercle de l'aspiration

**65886**  
Joint

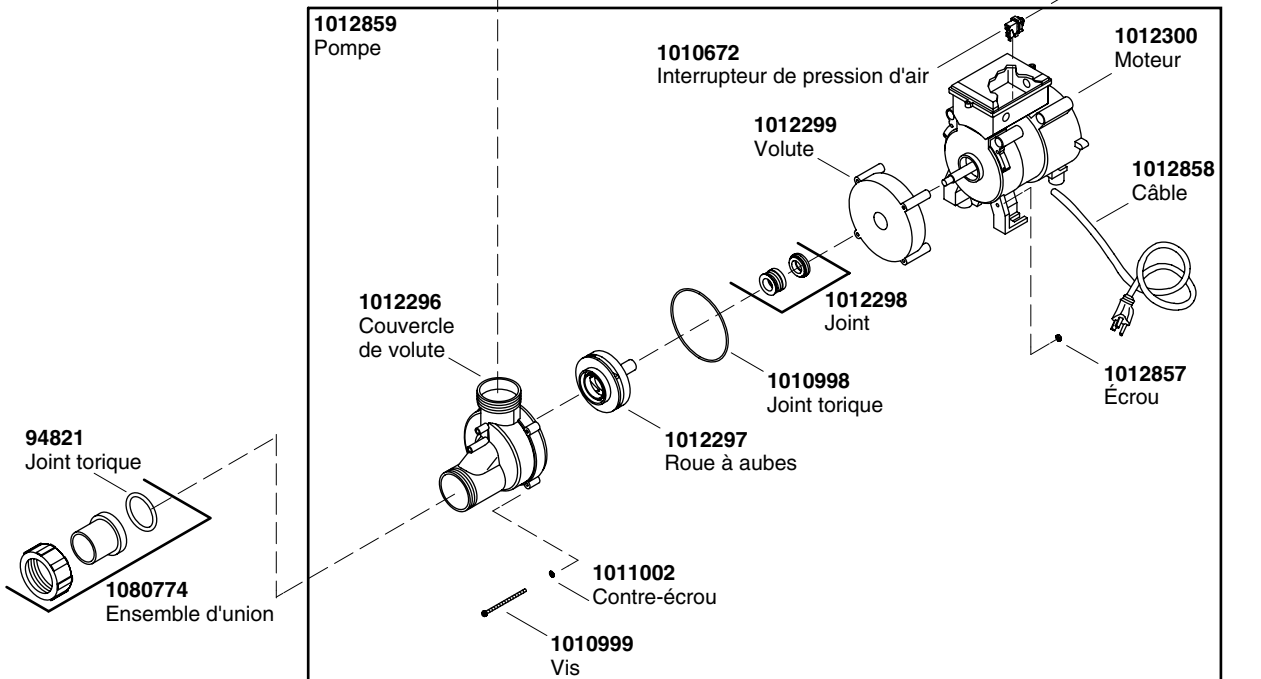
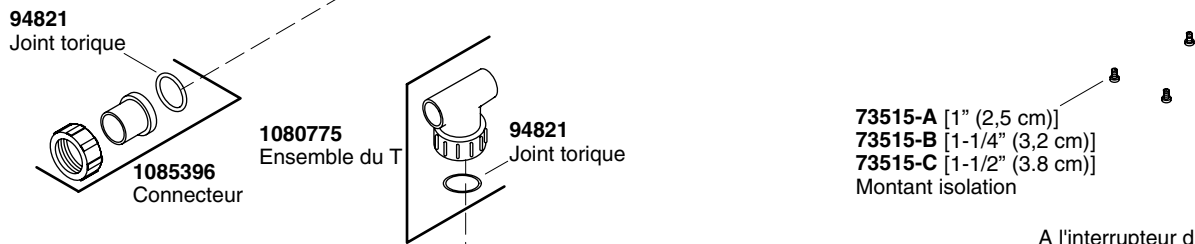
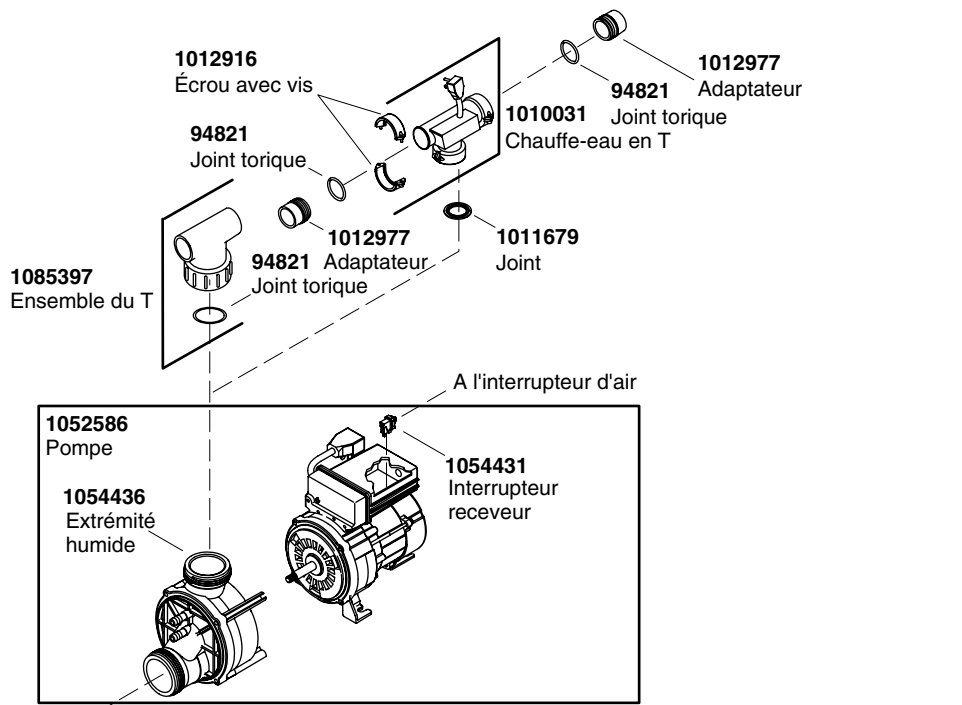
**65226\*\***  
Capuchon de la vis du couvercle d'aspiration

**65054\*\***  
Vis

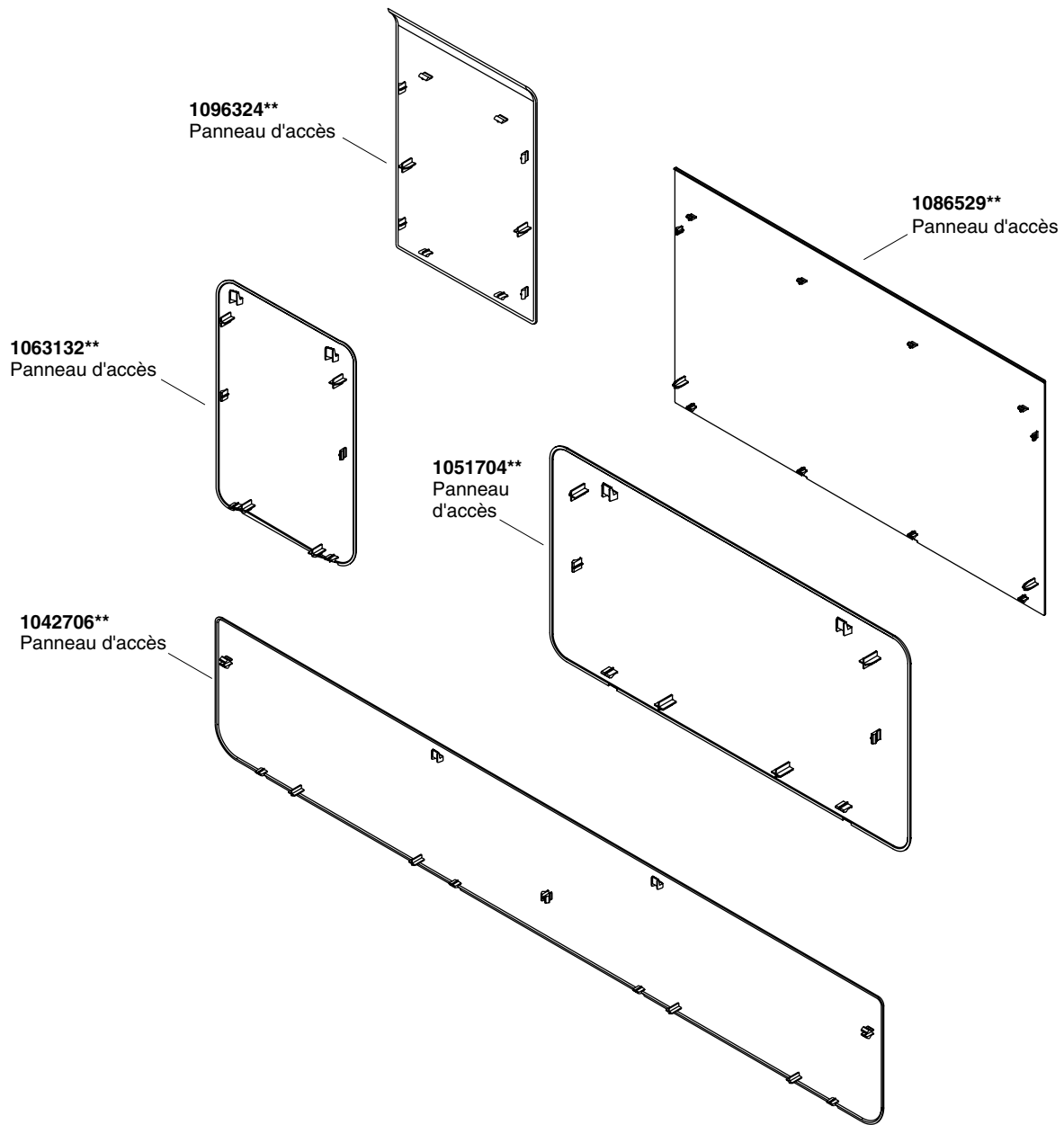
**1003065**  
Outil d'extraction de la bride d'aspiration

**\*\*Vous devez spécifier les codes de la finition/couleur lors de la commande.**

## Pièces de rechange



**\*\*Vous devez spécifier les codes de la finition/couleur lors de la commande.**



**\*\*Vous devez spécifier les codes de la finition/couleur lors de la commande.**

# Guía del usuario

## Bañera de hidromasaje

### Información importante

## INSTRUCCIONES RELATIVAS AL RIESGO DE INCENDIO, DESCARGA ELÉCTRICA O LESIONES PERSONALES

### LEA Y SIGA TODAS LAS INSTRUCCIONES

### GUARDE ESTAS INSTRUCCIONES



**ADVERTENCIA:** Al usar aparatos eléctricos, siga siempre las precauciones básicas, incluyendo las siguientes:



**PELIGRO: Riesgo de lesiones personales.** Para reducir el riesgo de lesiones, no permita que los niños usen este producto sin la estricta supervisión en todo momento.



**ADVERTENCIA: Riesgo de lesiones personales.** Para evitar lesiones, tenga cuidado al entrar y salir de la bañera de hidromasaje.



**ADVERTENCIA: Riesgo de descarga eléctrica.** No coloque aparatos eléctricos (como secador de pelo, lámparas, teléfono, radio o televisión) a menos de 5' (1,5 m) de esta bañera de hidromasaje.



**ADVERTENCIA: Riesgo de hipertermia.** Las personas bajo tratamiento médico o que padezcan de alguna condición médica deben consultar con un médico antes de utilizar una bañera de hidromasaje equipada con un calentador.

El compartimiento de cables tiene un terminal de conexión a tierra para el equipo. Para reducir el riesgo de descarga eléctrica, este terminal se debe conectar a la conexión de tierra provista en el panel de suministro eléctrico con un conductor del mismo tamaño que los conductores del circuito que alimentan esta bañera de hidromasaje.

En el exterior de la bomba o control de esta unidad se incluye un conector de presión para permitir la conexión de un conductor de puesta a tierra entre esta unidad y el metal expuesto en las proximidades, tal como lo requieran las normas locales.

Use esta bañera de hidromasaje únicamente con el fin para el que se ha fabricado, tal como se explica en este manual. No utilice accesorios que no estén recomendados por el fabricante.

No deje caer ni introduzca objetos en ninguna de las aberturas.

No permita que esta unidad funcione sin la tapa protectora (tapadera) en la conexión de succión.

La bañera de hidromasaje debe conectarse solamente a un circuito protegido con un interruptor de circuito con pérdida a tierra (GFCI) o por un dispositivo de corriente residual (RCD). El instalador debe proveer el interruptor de protección GFCI o RCD, cuyo funcionamiento debe probarse de manera rutinaria. Para probar el interruptor de protección GFCI o RCD, oprima el botón de prueba (test). El interruptor de protección GFCI o RCD debe interrumpir la alimentación eléctrica. Oprima el botón (reset) de restablecer la alimentación eléctrica. Esto debe restablecer la alimentación eléctrica. Si el interruptor de protección GFCI o RCD no funciona de este modo, significa que está averiado. Si el interruptor de protección GFCI o RCD, interrumpe la alimentación eléctrica a la bañera sin haber oprimido el botón de prueba, significa que existe corriente a tierra y la posibilidad de una descarga eléctrica. No utilice esta bañera de hidromasaje. Desconecte la bañera de hidromasaje, y antes de usarla, haga que un representante de servicio autorizado solucione el problema.

## Información importante (cont.)

**AVISO:** La bañera de hidromasaje está provista de un cable de alimentación del tamaño necesario para esta aplicación. No sustituya el cable de alimentación existente por uno de menor tamaño. Todas las reparaciones del cable deben ser realizadas por electricistas calificados y conforme a los requisitos de los códigos locales.



**ADVERTENCIA: Riesgo de lesiones personales. El uso de alcohol, drogas o medicamentos puede aumentar enormemente el riesgo de sufrir hipertermia fatal.** La inmersión prolongada en agua caliente puede producir hipertermia. La hipertermia ocurre cuando la temperatura interna del cuerpo alcanza un nivel superior a la temperatura corporal normal de 98,6°F (37°C). Los síntomas de la hipertermia incluyen el aumento de la temperatura corporal interna, mareos, letargo, somnolencia y desfallecimiento. Los efectos de la hipertermia incluyen: (a) incapacidad para percibir calor, (b) incapacidad para reconocer la necesidad de salir de la bañera, (c) inconsciencia de un peligro inminente, (d) daño al feto en mujeres embarazadas, (e) inhabilidad física para salir de la bañera y (f) pérdida del conocimiento con peligro de ahogarse.

**¡IMPORTANTE!** Limpie el sistema de su bañera de hidromasaje dos o más veces al mes dependiendo del uso, tal como se describe en las instrucciones de cuidado y limpieza en este manual.

La temperatura del agua en la bañera no debe exceder los 104°F (40°C).

Mantenga los objetos pequeños tales como los juguetes y accesorios de baño fuera de la bañera de hidromasaje cuando esté en funcionamiento.

El uso constante de productos de higiene personal que contengan aceites puede dañar los componentes plásticos de la bañera de hidromasaje. No utilice champús a base de productos vegetales ni aceites de baño.

La acción del hidromasaje puede hacer que una pequeña cantidad de líquidos para hacer burbujas, champú, jabón o aceite de baño espume en exceso. Por esta razón, no utilice estos productos durante el funcionamiento de la bañera de hidromasaje.

## Gracias por elegir los productos de Sterling

Gracias por elegir los productos de Sterling. La artesanía de Sterling le ofrece una rara combinación de rendimiento comprobado y agraciada elegancia capaces de satisfacer sus exigencias durante muchos años. La confiabilidad y belleza de su producto Sterling sobrepasarán sus mayores expectativas. En Sterling, nos sentimos orgullosos de nuestros productos y sabemos que usted también lo estará.

Dedique unos minutos para leer esta Guía del usuario. Preste especial atención a las instrucciones de cuidado y limpieza.

Toda la información contenida en este manual está basada en la información más reciente disponible al momento de su publicación. En Sterling, nos esforzamos constantemente por mejorar la calidad de nuestros productos. Por lo tanto, nos reservamos el derecho de efectuar cambios en las características, embalaje o disponibilidad del producto en cualquier momento, sin previo aviso.

## Su bañera de hidromasaje Sterling

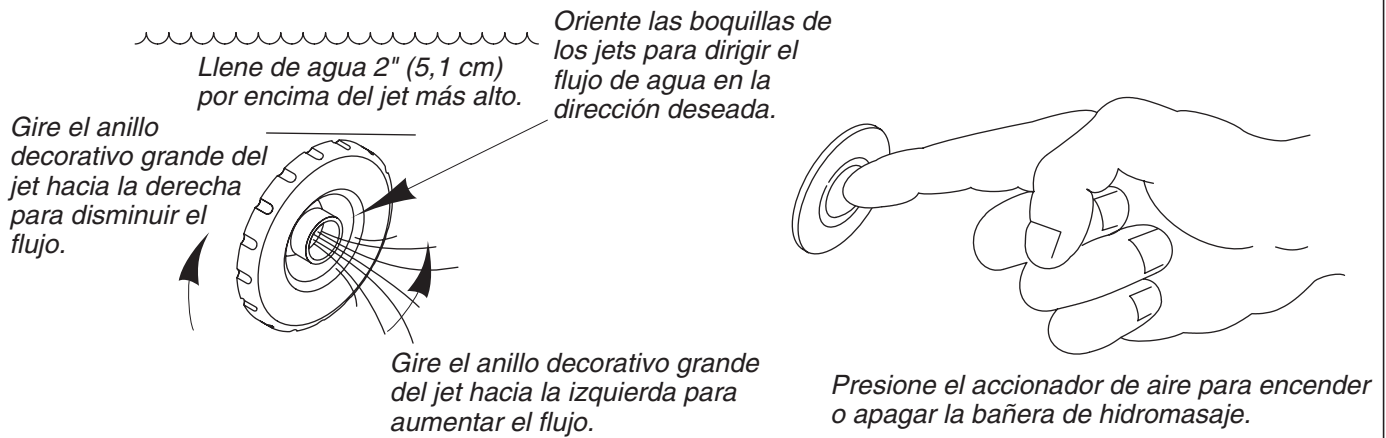
Su bañera de hidromasaje le permite relajarse y disfrutar de la acción calmante del baño caliente. La acción reconfortante de hidromasaje le ayuda a mejorar la circulación a la vez que alivia la tensión muscular y el estrés. El control del accionador de aire está situado al alcance de la mano. Los jets ajustables le permiten controlar la intensidad del hidromasaje y la dirección del flujo.

Además, su nueva bañera de hidromasaje o módulo de bañera de hidromasaje/ducha le ofrece las siguientes características:

- Comodidad en la bañera** - El material compuesto sólido que retiene la temperatura ambiente para que su bañera nunca esté fría al contacto y para impedir que la temperatura de la bañera descienda.
- Base para pisar con seguridad** - La bañera ofrece una superficie antideslizante para mayor seguridad.

### **Su bañera de hidromasaje Sterling (cont.)**

- **Superficie lisa de baño** - El material compuesto sólido conserva tanto la superficie lisa como la que tiene textura. No se despostilla, quiebra ni descarpela.
- **Colores sólidos uniformes** - El color del material compuesto sólido es moldeado conjuntamente con el producto. Este material resiste los rigores del uso, es fácil de limpiar y no se notan las marcas de rayado sobre su superficie.
- **Funcionamiento duradero** - Todas las unidades tienen moldeados soportes resistentes. Las bañeras retienen su forma y proporcionan años de funcionamiento confiable.



## Funcionamiento de su bañera de hidromasaje

**NOTA:** Las boquillas de los jets permiten ajustar el flujo. Gire los anillos decorativos del jet hacia la derecha para reducir el flujo o hacia la izquierda para aumentarlo.

- Coloque todas las boquillas de los jets de manera que miren hacia abajo en la bañera.
- Gire los anillos decorativos de los jets totalmente hacia la izquierda.
- Cierre el desagüe, luego llene la bañera de hidromasaje a un nivel por lo menos 2" (5,1 cm) por encima del jet más alto.
- Pruebe la temperatura del agua con la mano para su confort y seguridad y luego entre en la bañera con cuidado.
- Oprima el accionador de aire para encender la bañera de hidromasaje.
- Ajuste los jets para obtener una mezcla óptima de aire/agua.
- Oriente las boquillas de los jets en la dirección deseada para aprovechar al máximo la experiencia del hidromasaje.
- Vuelva a oprimir el accionador de aire por segunda vez para apagar la bañera de hidromasaje.
- Salga con cuidado de la bañera y abra el desagüe para vaciar la bañera de hidromasaje.

**NOTA:** Si la bañera de hidromasaje no funciona correctamente, consulte la sección "Guía para resolver problemas".

## Cuidado y limpieza

### Limpieza de la bañera de hidromasaje de Vikrell

Para obtener los mejores resultados, tenga presente lo siguiente al limpiar su producto STERLING:

- Siempre pruebe la solución de limpieza en un área oculta antes de aplicarla a toda la superficie.
- Limpie con un trapo las superficies y enjuague completa e inmediatamente con agua después de aplicar el limpiador. Enjuague y seque las superficies cercanas que se hayan rociado.
- No deje por tiempo prolongado los limpiadores en la superficie.
- Utilice una esponja o trapo suave y húmedo. Nunca utilice materiales abrasivos como cepillos o estropajos de tallar para limpiar las superficies.

Para obtener información detallada sobre la limpieza y los productos de limpieza a considerar, visítenos en [www.sterlingplumbing.com/support.html](http://www.sterlingplumbing.com/support.html). Para solicitar información acerca del cuidado y la limpieza, llame al 1-800-456-4537.

## Cuidado y limpieza (cont.)

### Limpieza del sistema de su bañera de hidromasaje

Limpie el sistema de hidromasaje dos o más veces al mes, dependiendo del uso.

- Ajuste los jets totalmente hacia la derecha de manera que no haya inducción de aire.
- Llene la bañera con agua tibia hasta un nivel que sobrepase 2" (5,1 cm) por encima del jet más alto o deje agua en la bañera cuando termine de usarla.
- Añada al agua 2 cucharaditas (10 ml) de detergente para lavaplatos automática que espume poco y 20 onzas (591 ml) de blanqueador para uso doméstico (5% - 6% hipoclorito sódico).
- Haga funcionar la bañera de hidromasaje de 5 a 10 minutos. Luego, apague la bañera de hidromasaje y drene el agua.
- Si lo desea, enjuague las superficies de la bañera de hidromasaje con agua.
- Limpie las superficies de la bañera de hidromasaje con los productos de limpieza recomendados según sea necesario.

## Garantía

### Bañeras y lavabos - Garantía limitada de 10 años para uso residencial / de 3 años para uso comercial

### Fregaderos de cocina - Garantía limitada de por vida para el consumidor / limitada de 3 años para uso comercial

De acuerdo a la clasificación arriba descrita, Sterling®, una división de Kohler Co., garantiza que los muebles de baño y los lavabos (Sterling) hechos de Vikrell™ sólido estarán libres de defectos de fabricación por un periodo de 10 años a partir de la fecha de venta, en el caso de uso residencial (ocupada por el propietario), o por un periodo de 3 años, a partir de la fecha de venta, en el caso de unidades para uso comercial (hoteles, moteles, residencias de alquiler).

Se garantiza que las bañeras de hidromasaje estarán libres de defectos de fabricación por el mismo periodo de tiempo, excepto para el conjunto del motor/bomba, los cuales se registrarán por una garantía contra defectos de fabricación válida por un año a partir de la fecha de venta del producto.

Se garantiza que los fregaderos de cocina hechos de Vikrell sólido estarán libres de defectos de fabricación siempre y cuando el comprador consumidor original sea propietario de su casa, o por un periodo de 3 años, a partir de la fecha de venta, en el caso de unidades de uso comercial (hoteles, moteles, residencias para alquiler).

Sterling, a su criterio, reparará, reemplazará, rectificará o realizará una unidad cuando la inspección de Sterling determine que dicho defecto ocurrió durante uso normal dentro del periodo de garantía anteriormente especificado. Sterling no se hace responsable por los costos de desinstalación o instalación en aquellos casos en que se reemplace el producto. Todo daño al producto como resultado de errores de manejo, instalación o mantenimiento inadecuado no serán considerados como defectos de fabricación y no estarán cubiertos bajo la presente garantía. Esta garantía es válida únicamente para el comprador original.

Para obtener servicio de garantía, comuníquese con Sterling, bien sea a través de su contratista de plomería, centro de remodelaciones, comerciante autorizado, o llamando o escribiendo a Sterling, Consumer Services, 444 Highland Drive, Kohler, Wisconsin 53044, 1-800-783-7546.

**En la medida en que la ley lo permita, no se hace responsable de ninguna garantía implícita, incluyendo la comercialización e idoneidad para un uso determinado. Sterling y el vendedor no se hacen responsables por concepto de daños particulares, incidentales o indirectos.** Algunos estados/provincias no permiten limitaciones en cuanto a la duración de una garantía implícita o a la exclusión o limitación de daños particulares, incidentales o indirectos, por lo que estas limitaciones y exclusiones pueden no aplicar a su caso. Esta garantía le otorga ciertos derechos legales específicos. Además, usted puede tener otros derechos que varían de estado a estado y provincia a provincia.



## Garantía (cont.)

Ésta es la garantía exclusiva por escrito de Sterling.

## Garantía

KOHLER CO.

Al adquirir el producto, se recomienda verificar que todos los accesorios y componentes estén completos en la caja.

Se garantiza que este producto de Sterling está libre de defectos en material y mano de obra por un (1) año a partir de la fecha de compra que aparece en la factura o recibo.

1. Kohler Co. prestará servicio únicamente a los productos comercializados a través de sus distribuidores autorizados.
2. A fin de obtener el servicio de garantía, favor de presentar la factura de compra y la garantía correspondiente.
3. Kohler Co., a través de sus distribuidores autorizados, se compromete a reparar el producto defectuoso o a reemplazarlo por uno nuevo o equivalente (en caso de que el producto esté descontinuado) cuando no sea posible la reparación, sin ningún cargo al consumidor.
4. El tiempo de reparación no excederá de seis (6) semanas, a partir de la fecha de recepción del producto.
5. Se recomienda al consumidor que conserve el recibo o factura de compra como protección adicional, pues el mismo puede sustituir a la garantía, en caso de que exista discrepancia en cuanto a la validez de la misma.

### EXCEPCIONES Y RESTRICCIONES

La garantía no tendrá validez en los siguientes casos:

1. Cuando el producto no se haya utilizado conforme a las instrucciones de uso y funcionamiento incluidas en el manual del usuario o en las instrucciones de instalación y cuando no se hayan observado las recomendaciones y advertencias allí contenidas.
2. Cuando el producto se haya modificado o desmantelado parcial o totalmente; o manipulado de manera negligente y, como consecuencia, haya sufrido daños atribuibles al consumidor, persona o herrajes no autorizados por Kohler Co.
3. Esta garantía no cubre los daños que resulten de desastres naturales, tales como incendios o casos de fuerza mayor, incluyendo inundaciones, terremotos, tormentas eléctricas, etc. Para obtener una lista de distribuidores cerca de usted y así hacer valer sus derechos bajo esta garantía, llame al 001-877-680-1310.

KOHLER CO., KOHLER, WI 53044 U.S.A.

### IMPORTADOR:

INTERNACIONAL DE CERÁMICA, S.A.B. DE C.V.

AV. CARLOS PACHECO NO. 7200

CHIHUAHUA, CHIH., MÉXICO C.P. 31060

TEL: 52 (14) 29-11-11

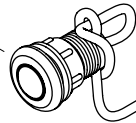
## Procedimiento para resolver problemas

Esta guía para resolver problemas está diseñada únicamente como ayuda general. Todos los problemas eléctricos deben ser resueltos por un representante de servicio autorizado de Sterling o un electricista calificado. Para obtener servicio cubierto por la garantía, póngase en contacto con el vendedor o el distribuidor mayorista.

**Procedimiento para resolver problemas (cont.)**

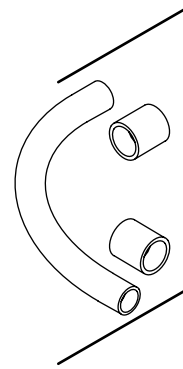
<b>Síntomas</b>	<b>Causas probables</b>	<b>Acción recomendada</b>
1. La bañera de hidromasaje no se enciende/apaga.	A. El motor de la bomba no tiene alimentación eléctrica.	A. Encienda o reinicie el interruptor de circuito (GFCI). Revise el cableado. Si el problema persiste consulte a su instalador o distribuidor.
	B. El accionador de aire no funciona.	B. Revise las conexiones de las tuberías de aire. Reemplace el accionador de aire. Consulte al vendedor o instalador.
	C. El motor bomba no funciona.	C. Reemplace el motor de la bomba. Consulte al vendedor o instalador.
2. El motor se enciende; no todos los jets funcionan.	A. El jet está cerrado.	A. Gire el anillo decorativo del jet hacia la izquierda para abrirlo.
	B. Los jets están obstruidos.	B. Elimine la obstrucción.
3. La bañera de hidromasaje se apaga sola.	A. El GFCI se ha disparado.	A. Identifique la causa del problema y corríjalo. Si el problema persiste consulte a su instalador o distribuidor.
	B. La succión está obstruida.	B. Elimine la obstrucción.
	C. Los jets están obstruidos.	C. Elimine la obstrucción.
	D. El motor se ha sobrecalentado, activando el dispositivo de protección.	D. Verifique que no haya obstrucciones en las ventilaciones del motor. Elimine la obstrucción y deje enfriar el motor. Verifique que no haya obstrucciones en la succión. Elimine la obstrucción y deje enfriar el motor. Verifique que no haya obstrucciones en los jets. Elimine la obstrucción y deje enfriar el motor.
4. La bañera de hidromasaje es ruidosa.	A. Las cintas metálicas que sostienen la bomba a la bañera no se han cortado.	A. Corte las cintas metálicas con unas tijeras para chapa.

**1041995\*\***  
Interruptor de aire



A la bomba

**1042083**  
Tuerca para tubo



**93836** (1/2")  
**93838** (1")  
**93839** (1-1/4")  
**94853** (1-1/2")  
Tubo (con  
acopladores)

**1011001**  
Herramienta para extraer la brida



**91967**  
Válvula de retención

**67665**  
Tapón

**1013250**  
Tuerca

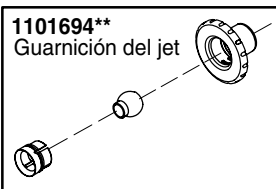
**1008241**  
Empaque

**1013249**  
Boquilla

**1008238**  
Alojamiento del jet

**1101694\*\***  
Guarnición del jet

**1015161**  
Herramienta  
para guarnición  
del jet



**1008239**  
Brida

**73518**  
Tapón

**93685**  
Alojamiento

**96895\*\***  
Tapa de succión

**96708**  
Brida

**65886**  
Empaque

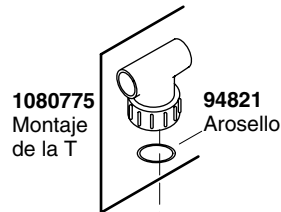
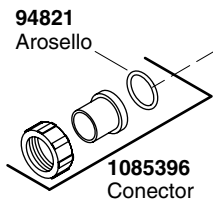
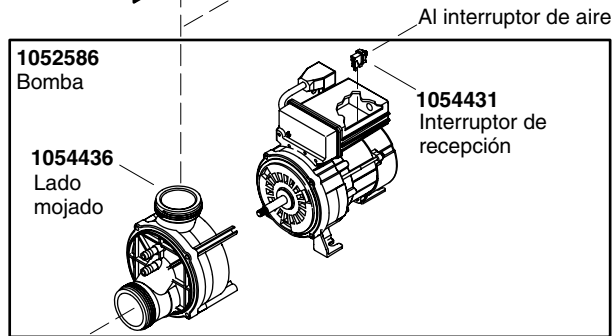
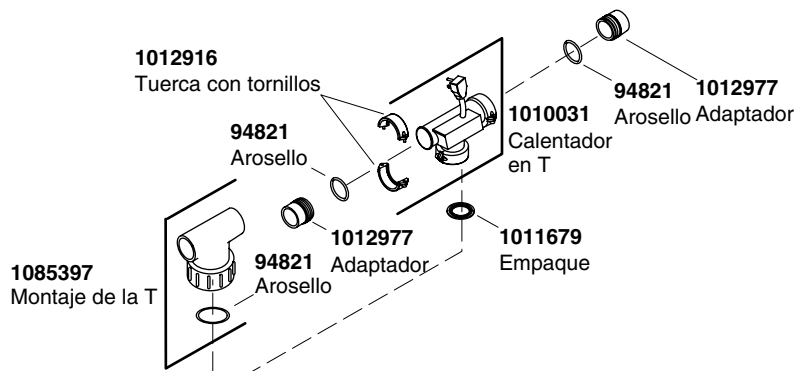
**65226\*\***  
Tapón de la tapa de succión

**65054\*\***  
Tornillo

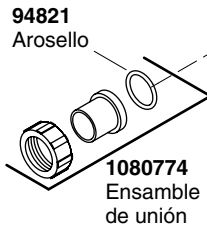
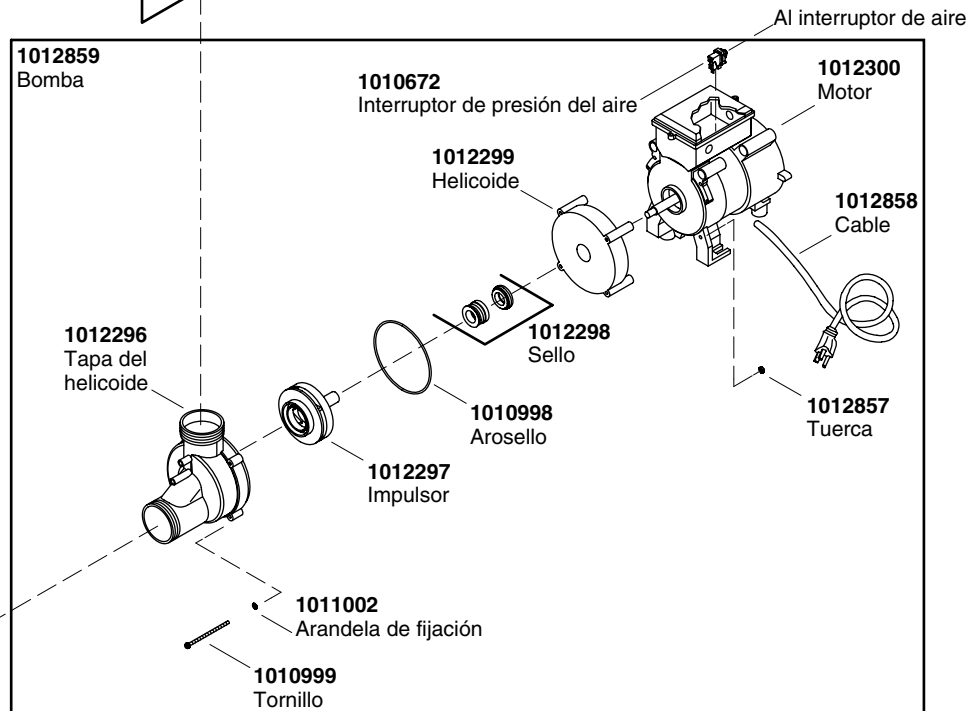
**1003065**  
Herramienta para  
extraer la brida  
de succión

**\*\*Se debe especificar el código del acabado/color con el pedido.**

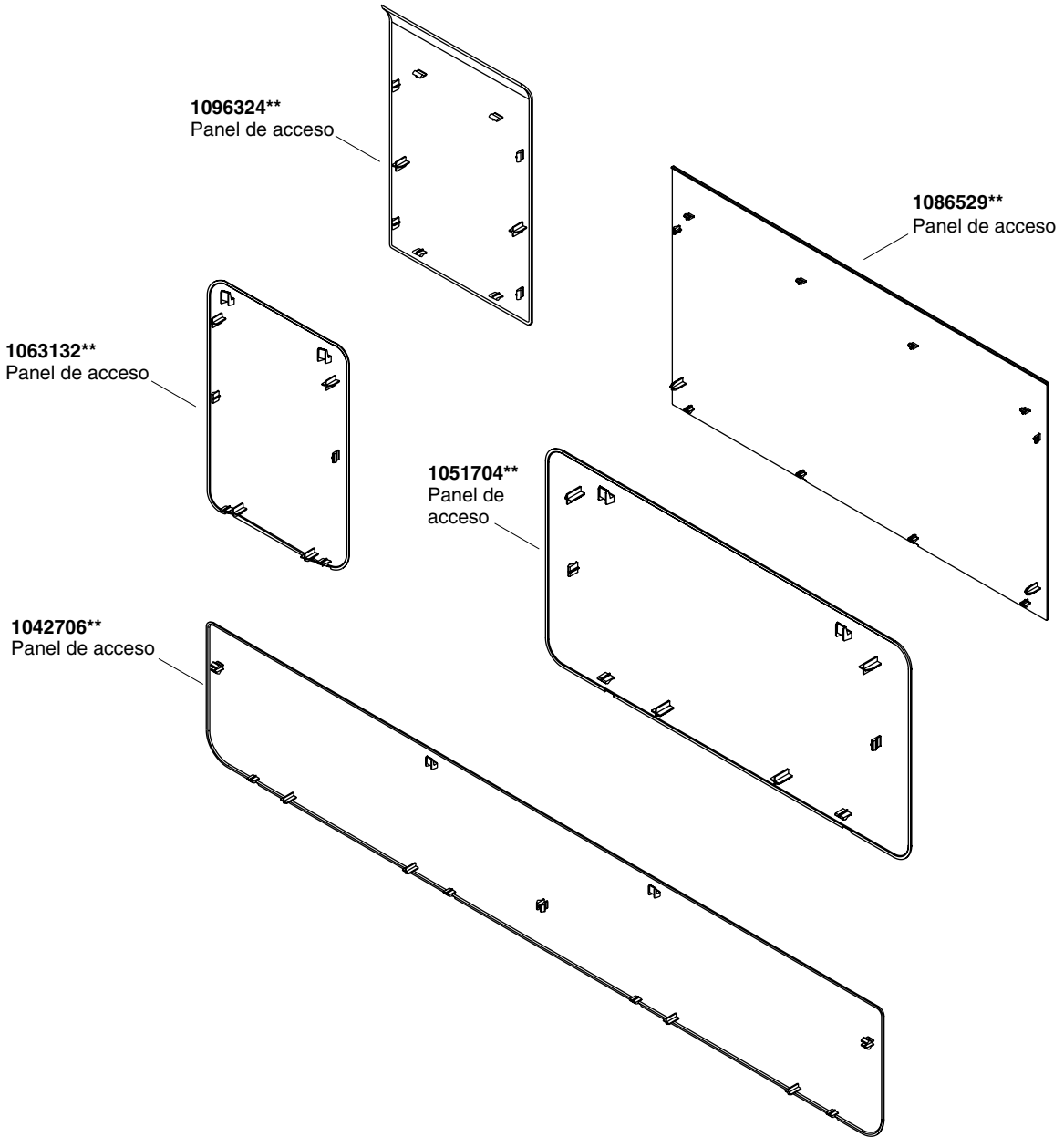
## Piezas de repuesto



**73515-A** [1" (2,5 cm)]  
**73515-B** [1-1/4" (3,2 cm)]  
**73515-C** [1-1/2" (3,8 cm)]  
 Montura aislante



**\*\*Se debe especificar el código del acabado/color con el pedido.**



**\*\*Se debe especificar el código del acabado/color con el pedido.**





**USA: 1-800-STERLING (1-800-783-7546)**

**México: 001-877-680-1310**

**[SterlingPlumbing.com](http://SterlingPlumbing.com)**

**STERLING**  
A KOHLER COMPANY

**©2009 Kohler Co.**

**1016905-5-K**