

# STERLING®

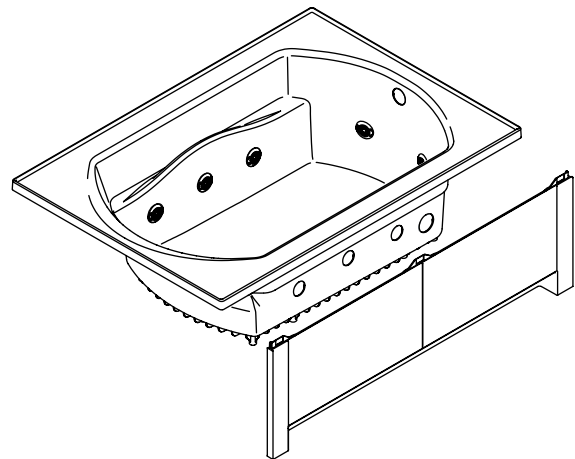
A KOHLER COMPANY

Lawson™

## Features

- Compression molded from our exclusive solid Vikrell® material
- Pump with air switch and grounding-type plug-in cord
- Durable high-gloss finish
- 10-year consumer/3-year commercial limited warranty
- 1-year limited warranty pump motor assembly
- Optional heater available (-H models)
- Jets with independent variable control
- Optional attached apron 76268100
- 60" (152.4 cm) x 42" (106.7 cm) x 20-5/16" (51.6 cm) unit rough-in dimension include nailing flange
- 60" (152.4 cm) x 42" (106.7 cm) x 20-5/16" (51.6 cm) complete unit finished dimensions

## 42" (106.7 cm) DROP-IN WHIRLPOOL BATH 76281100



## Codes/Standards Applicable

Specified model meets or exceeds the following:

- ANSI Z124.1.2
- ASME A112.19.7M
- ASME A112.19.8M
- ASTM E162
- ASTM E662
- CSA B45
- UL 1795

## Colors/Finishes

- 0: White
- Other: Refer to Price Book for additional colors/finishes

## Specified Model

Model	Description	Colors/Finishes	
76281100	42" (106.7 cm) x 60" (152.4 cm) drop-in whirlpool bath	<input type="checkbox"/> 0	<input type="checkbox"/> Other_____
76281100-H	42" (106.7 cm) x 60" (152.4 cm) drop-in whirlpool bath with heater	<input type="checkbox"/> 0	<input type="checkbox"/> Other_____
76281100P	42" (106.7 cm) x 60" (152.4 cm) drop-in whirlpool bath, Canada only	<input type="checkbox"/> 0	<input type="checkbox"/> Other_____

## Technical Information

Fixture*:	
Basin area:	
Bathing well	44" (111.8 cm) x 25-3/4" (65.4 cm)
Top area	51" (129.5 cm) x 32-3/4" (83.2 cm)
To overflow:	
Water depth	15-1/4" (38.7 cm)
Capacity	68 gal (257.4 L)
* Approximate measurements for comparison only.	

Pump:	V	Hz	A
1-speed	120	60	7.5

## Required Electrical Service

Dedicated circuit required, protected with Class A Ground-Fault Circuit-Interrupter (GFCI):	
Pump	120 V, 15 A, 60 Hz

**On models with a heater,** a separate dedicated circuit is required, protected with Class A Ground-Fault Circuit-Interrupter (GFCI):

Heater	120 V, 15 A, 60 Hz
--------	--------------------

## Installation Notes

Install this product according to the installation guide.

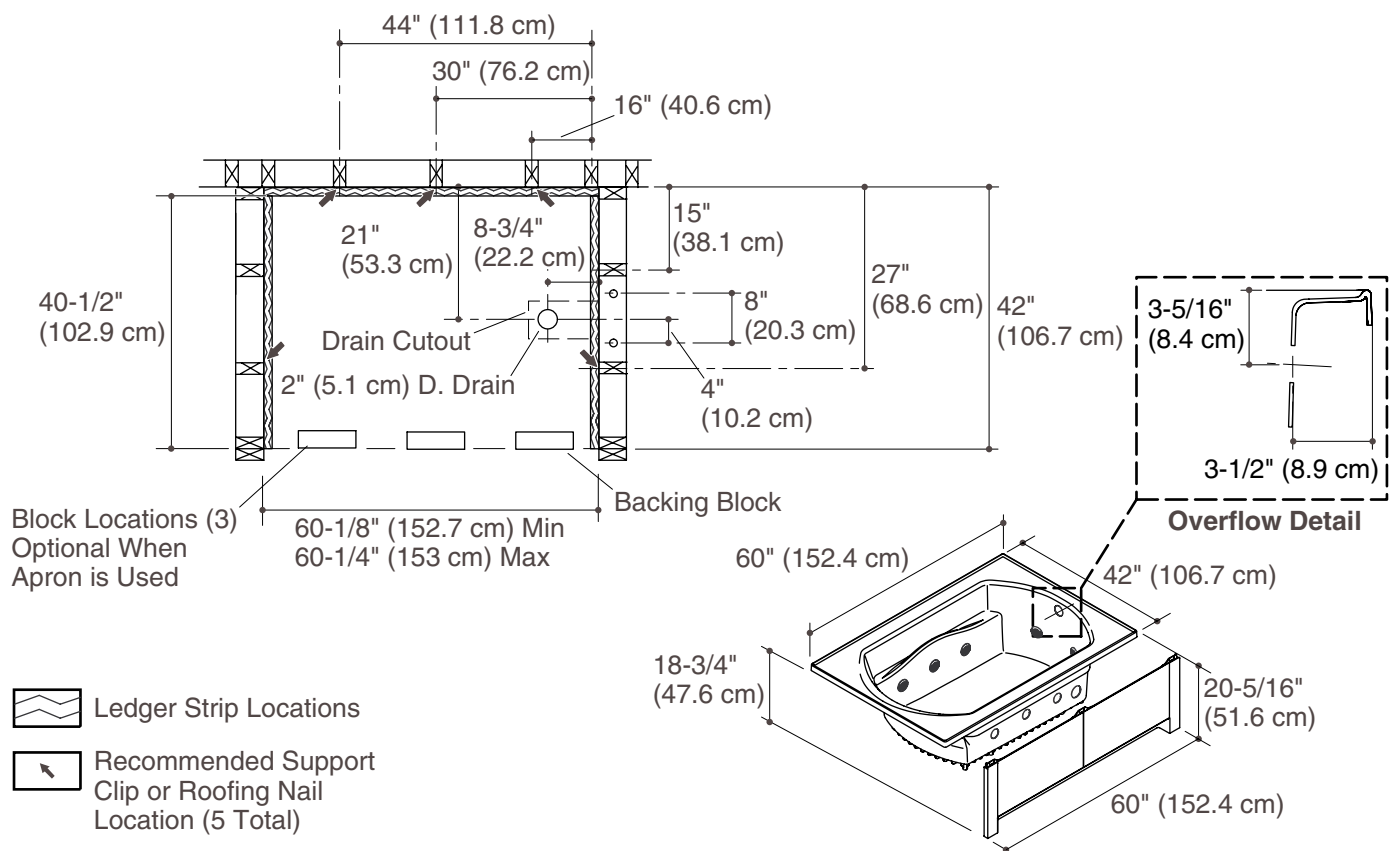
Pump service access is required.

Pump is supplied with a grounding-type plug-in cord for pump and when included, the heater. Locate the outlet(s) within 24" (61 cm) of the pump and heater.

Size the drain cutout to fit the drain assembly.

Stud positioning is critical if nailing-in flanges are to be used.

Studs should be positioned roughly as shown for support clip or roofing nail installation.



## Product Diagram