



**Lawson™**

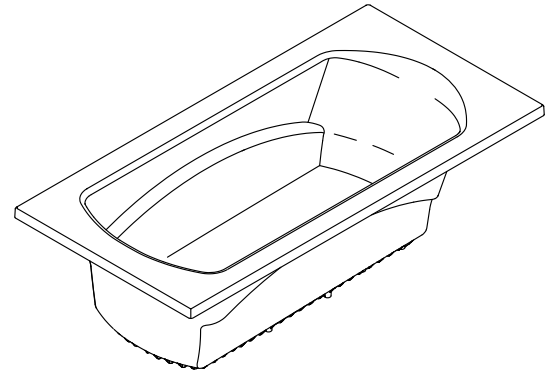
72" (1829 mm) x 36" (914 mm) Drop-In Bath  
**71301100**

**Features**

- Durable high-gloss finish.
- 72" (1829 mm) x 36" (914 mm) x 20-5/16" (516 mm) finished dimensions

**Material**

- Compression molded from our exclusive solid Vikrell® material.



**Codes/Standards**



CSA B45.5/IAPMO Z124  
ASTM E162  
ASTM E662  
Greenguard UL 2818 - Gold

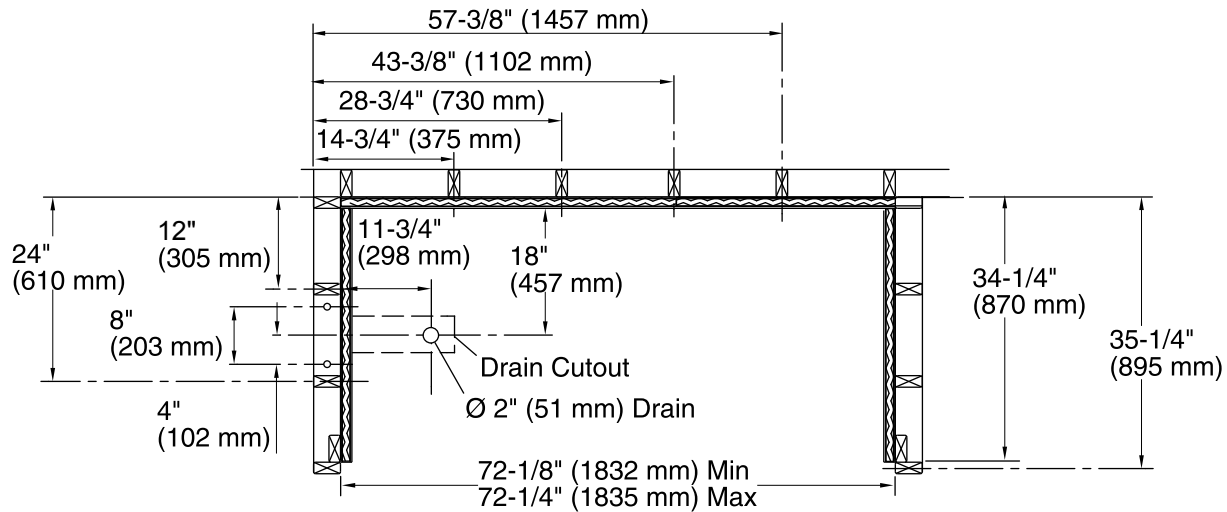
**STERLING® Warranty - Fixtures Made of Solid Vikrell Material**

See website for detailed warranty information.

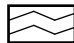
**Available Color/Finishes**

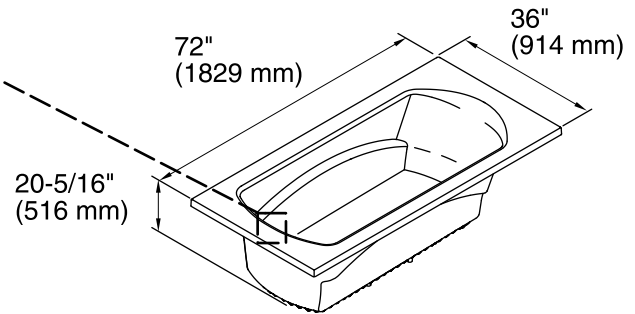
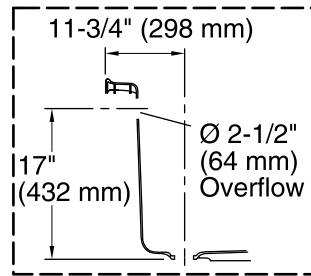
*Color tiles intended for reference only.*

Color	Code	Description
	0	White
	96	Biscuit



**Drain Detail**

 Ledger Strip Locations



**Technical Information**

All product dimensions are nominal.

- Installation: Drop-in
- Drain location: Reversible
- Basin area, bottom: 50-3/8" x 21-3/4" (1280 mm x 552 mm)
- Basin area, top: 58-1/4" x 27" (1480 mm x 686 mm)
- Water depth: 15-1/4" (387 mm)
- Water capacity: 68 gal (257.4 L)
- Door width required: 72" (1829 mm)

**Notes**

- Measure your actual product for roughing-in details.
- Install this product according to the installation guide.
- Studs should be positioned roughly as shown.
- Double studding is recommended for pivot shower door installations.