



# Ensemble™

## 60" Curve Shower with Backer Boards

### 72230106



#### Features

- Modular design allows it to be moved around corners and through doorways with ease.
- Durable high gloss finish.
- Convenient shelves provide generous storage space.
- Shaving ledge/foot rest for added comfort.
- Curve wall design for a smooth look and feel.
- Wall surround includes backer boards for future grab bar installation.
- 60" (1524 mm) x 34" (864 mm) x 75-3/4" (1926 mm) complete unit finished dimensions.

#### Material

- Compression molded from our exclusive Vikrell® material.

#### Installation

- Tongue-and-groove four piece modular design allows for easy snap together installation.
- Some caulk required for proper installation.

#### Components

Product includes:

- 72205106 36" Shower End Wall Set with Backer Boards
- 72131100 60" Shower Base
- 72232106 60" x 72-1/2" Back Wall with Backer Boards



#### Codes/Standards

- CSA B45.5/IAPMO Z124
- ASTM E162
- ASTM E662
- Greenguard UL 2818 - Gold



#### STERLING® Warranty - Fixtures Made of Solid Vikrell Material

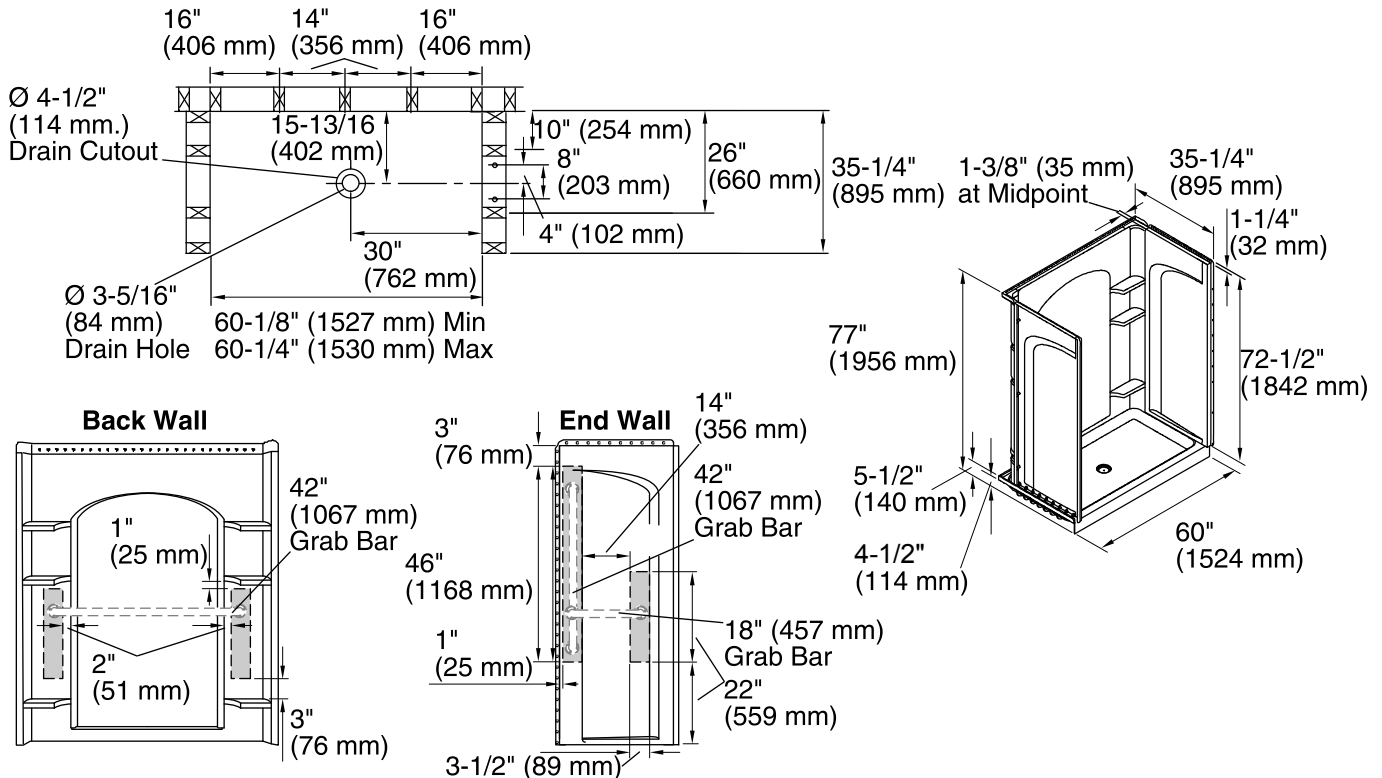
See website for detailed warranty information.

#### Available Color/Finishes

*Color tiles intended for reference only.*

Color	Code	Description
-------	------	-------------

- |  |    |         |
|--|----|---------|
|  | 0  | White   |
|  | 96 | Biscuit |



**Note:** Right and left end walls are the same, only mirrored.  
 ■ Backer board locations

#### Technical Information

All product dimensions are nominal.

Installation: 3-Wall Alcove

Drain location: Center

Door height required: 70-1/2" (1791 mm)

Door width required: 56-5/8" (1438 mm)

#### Notes

Install this product according to the installation guide.

Double studding is recommended for pivot shower door installations.

Studs should be positioned roughly as shown.

Attach grab bars at the specified backer board locations only.