

Advantage™
48" Seated Shower with Backer Boards
62030106



Features

- Modular design allows it to be moved around corners and through doorways with ease.
- Durable swirl gloss finish.
- Includes two molded-in corner seats.
- Two shelves and an acrylic towel bar on the back wall.
- Wall surround includes Age-in-Place backer boards for future grab bar installation.
- 48" (1219 mm) x 34" (864 mm) x 72" (1829 mm) complete unit finished dimensions.

Material

- Compression molded from our exclusive Vikrell® material.

Installation

- Tongue-and-groove four piece modular design allows for easy snap together installation.
- Some caulk required for proper installation.

Components

Product includes:

- 62031100 48" Seated Shower Base
- 62034106 48" Shower Wall Set with Backer Boards



Codes/Standards

- CSA B45.5/IAPMO Z124
- ASTM E162
- ASTM E662
- Greenguard UL 2818 - Gold



STERLING® Warranty - Fixtures Made of Solid Vikrell Material

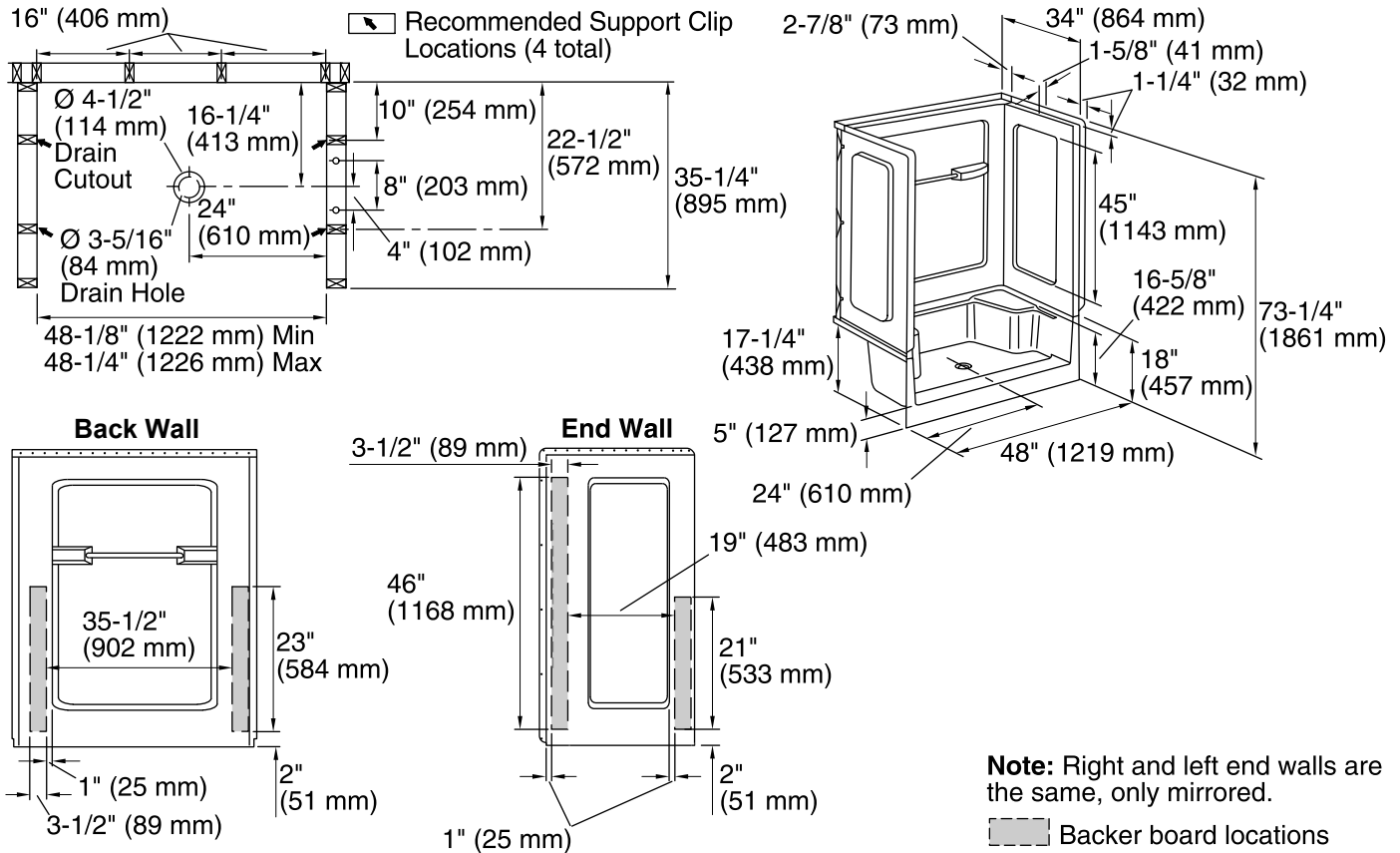
See website for detailed warranty information.

Available Color/Finishes

Color tiles intended for reference only.

Color Code Description

- | | | |
|--|----|---------|
|  | 0 | White |
|  | 96 | Biscuit |



Technical Information

All product dimensions are nominal.

Installation: 3-Wall Alcove

Drain location: Center

Door height required: 67" (1702 mm)

Door width required: 44-3/4" (1137 mm)

Notes

Install this product according to the installation guide.

Double studding is recommended for pivot shower door installations.

Studs should be positioned roughly as shown.

Attach grab bars at the specified backer board locations only.

NOTE: For shower door installation, use the STERLING "SP" fixture specific door only due to draft angle on shower surround walls.