



63" ADA Shower

63" ADA Shower with Seat and Grab Bars

62070125



Features

- Modular design allows it to be moved around corners and through doorways with ease.
- Durable swirl gloss finish.
- Wall surround includes stainless steel grab bars.
- Includes folding transfer seat with stainless steel support.
- 1/2" (13 mm) threshold with 1/2" (13 mm) finished floor.
- 63-1/4" (1607 mm) x 39-3/8" (1000 mm) x 72" (1829 mm) complete unit finished dimensions.

Material

- Compression molded from our exclusive Vikrell® material.

Installation

- Tongue-and-groove four piece modular design allows for easy snap together installation.
- Caulk required for proper installation.

Components

Product includes:

62055125 39" Shower End Wall Set with Seat and Grab Bar

62061100 63" Shower Base

62062103 63" Shower Back Wall with Grab Bar



ADA

Codes/Standards

CSA B45.5/IAPMO Z124

ASTM E162

ASTM E662

Greenguard UL 2818 - Gold

ADA

ICC/ANSI A117.1



STERLING® Warranty - Fixtures Made of Solid Vikrell Material

See website for detailed warranty information.

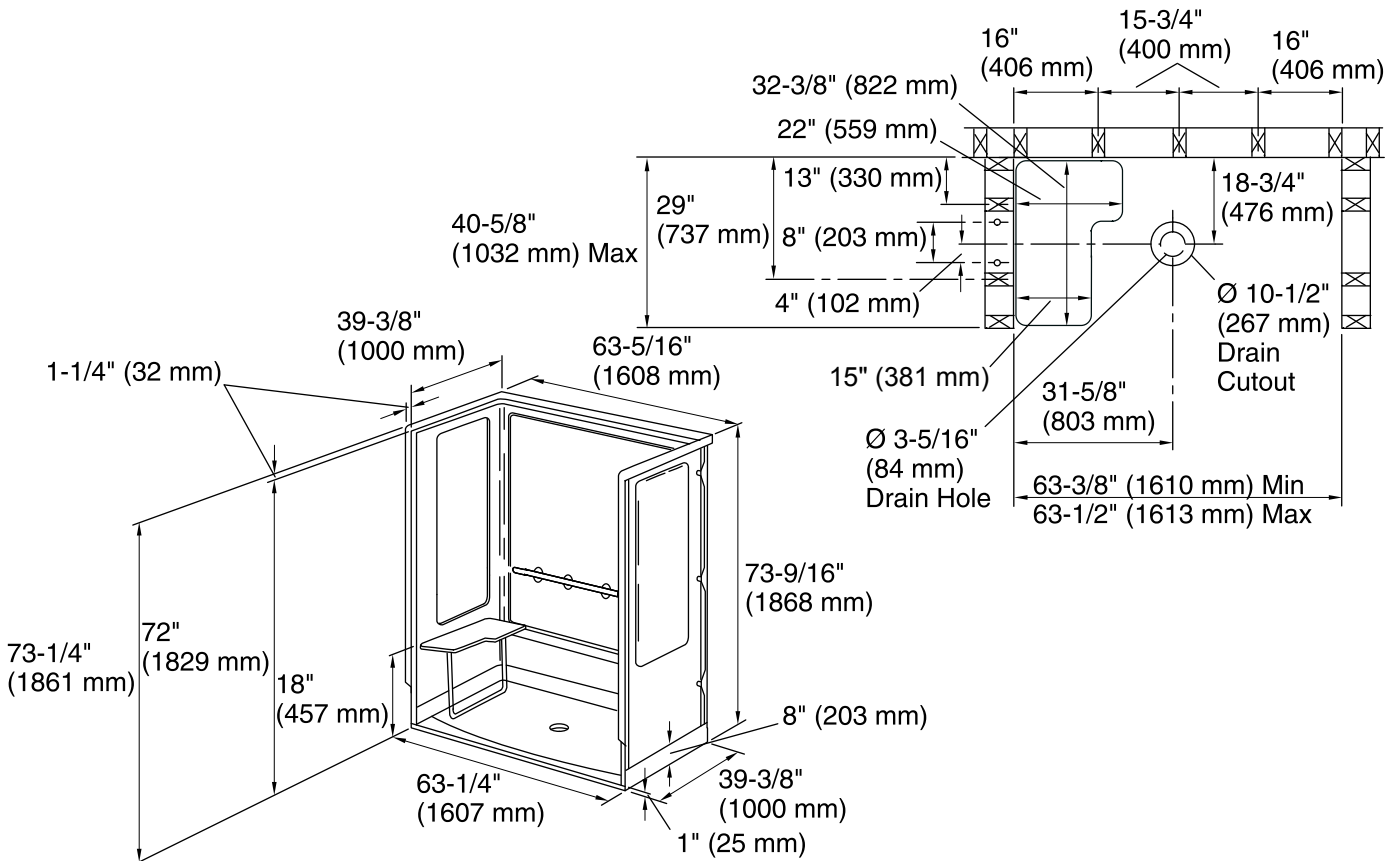
Available Color/Finishes

Color tiles intended for reference only.

Color Code Description

	0	White
	96	Biscuit

63" ADA Shower
63" ADA Shower with Seat and Grab Bars
62070125



Technical Information

All product dimensions are nominal.

Installation: 3-Wall Alcove

Drain location: Center

Notes

Install this product according to the installation guide.

Drain cutout in subfloor to be 10-1/2" (267 mm) per rough-in illustration as shown to allow the backside of the drain to sit below the subflow surface.

Studs should be positioned as shown.

Backer boards and fasteners protrude beyond the back wall 1-1/2" (38 mm). If installing this product against wall board, 1-1/2" (38 mm) furring strips installed over the wall board are recommended. The stud pocket depth of 40-5/8" (1032 mm) will need to be increased by the combined thickness of the wall board and furring strips.

ADA compliant when installed to the specific requirements of these regulations.