

# STERLING®

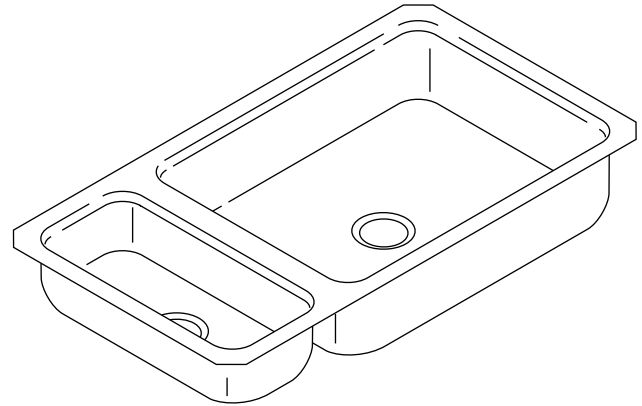
A KOHLER COMPANY

MCALLISTER®

## STAINLESS STEEL HIGH/LOW SINK UCL3322R

### Features

- Includes SilentShield® sound-absorption technology
- Double (high/low) bowl
- Satin finish
- One-piece steel construction, no center weld
- Includes installation hardware
- Under-mount rimless design
- Wide under-mount lip
- 19-gauge stainless steel
- Spacious 7" (178 mm) and 5" (127 mm) deep basin
- 31-3/4" (806 mm) x 17-1/2" (445 mm) x 7" (178 mm)



### Codes/Standards Applicable

Specified model meets or exceeds the following:

- ASME A112.19.3/CSA B45.4

### Colors/Finishes

- NA: None applicable

### Accessories:

- NA: None applicable

### Specified Model

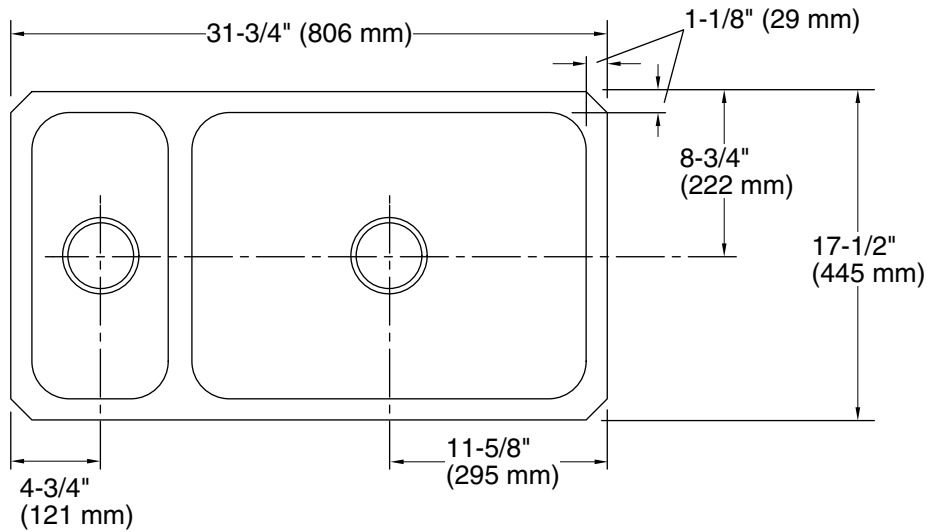
Model	Description	Holes	Small Basin Depth	Large Basin Depth	Colors/ Finishes
UCL3322R	Double (high/low) compartment sink	0	5" (127 mm)	7" (178 mm)	<input type="checkbox"/> NA

## Technical Information

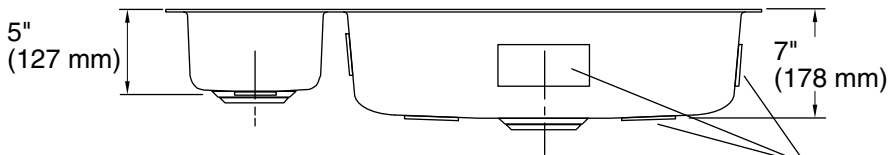
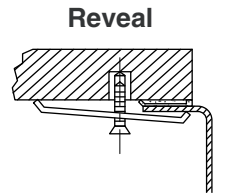
Fixture:*		
Sink		
	Small bowl	Large bowl
Basin area	7-1/4" (184 mm) x 15-1/4" (387 mm)	21" (533 mm) x 15-1/4" (387 mm)
Water depth	5" (127 mm)	7" (178 mm)
Drain holes	Ø 3-5/8" (92 mm)	Ø 3-5/8" (92 mm)
* Approximate measurements for comparison only.		
Included components:		
Cut-out template	1154796-7	

## Installation Notes

Install this product according to the installation guide.



Mounting bracket assembly provides a secure installation.



SilentShield™ Sound Pads

## Product Diagram