

STERLING®

A KOHLER COMPANY

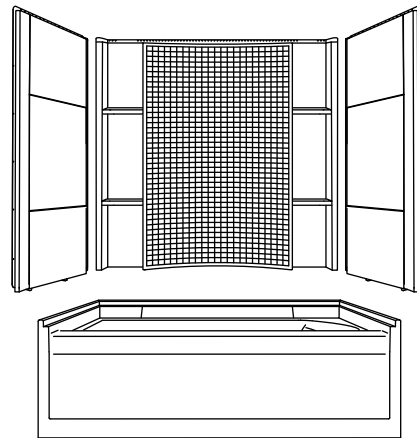
ACCORD®

Features

- Compression molded from our exclusive solid Vikrell® material
- Bath and integral apron eliminates installation step
- Durable high-gloss finish
- 10-year consumer/3-year commercial limited warranty
- Wall surround allows for attachment of grab bars
- Pivot "snap together" installation
- 20" (508 mm) bath depth (floor to top of threshold)
- 60" (1524 mm) x 37-1/4" (946 mm) x 77-1/2" (1969 mm) complete unit rough-in dimensions include flange
- 60" (1524 mm) x 36" (914 mm) x 76-1/4" (1937 mm) complete unit finished dimensions

60" BATH AND WALL SURROUND WITH BACKER BOARDS

71160116
ALSO 71160126



Codes/Standards Applicable

Specified model meets or exceeds the following:

- ASTM E662
- CSA B45.5/IAPMO Z124
- ASTM E162

Colors/Finishes

- 0: White
- Other: Refer to Price Book for additional colors/finishes

Specified Model

Model	Complete Unit Description	Colors/Finishes	
71160116	60" bath and wall surround with backer boards, left drain	<input type="checkbox"/> 0	<input type="checkbox"/> Other _____
71160126	60" bath and wall surround with backer boards, right drain	<input type="checkbox"/> 0	<input type="checkbox"/> Other _____

Model	Wall Component Description	Colors/Finishes	
71164106	Complete wall set with backer board locations	<input type="checkbox"/> 0	<input type="checkbox"/> Other _____

Technical Information

Fixture*:	
Bathing well:	
Basin area	22-7/8" (581 mm) x 46" (1168 mm)
Top area	24-7/8" (632 mm) x 50-7/8" (1292 mm)
To overflow:	
Water depth	15-1/8" (384 mm)
Capacity	70 gal (263.5 L)
* Approximate measurements for comparison only.	

Model	Door maximum width	Door maximum height
71160116	56-3/4" (1441 mm)	55-7/8" (1419 mm)
71160126		

Installation Notes

Install this product according to the installation guide.

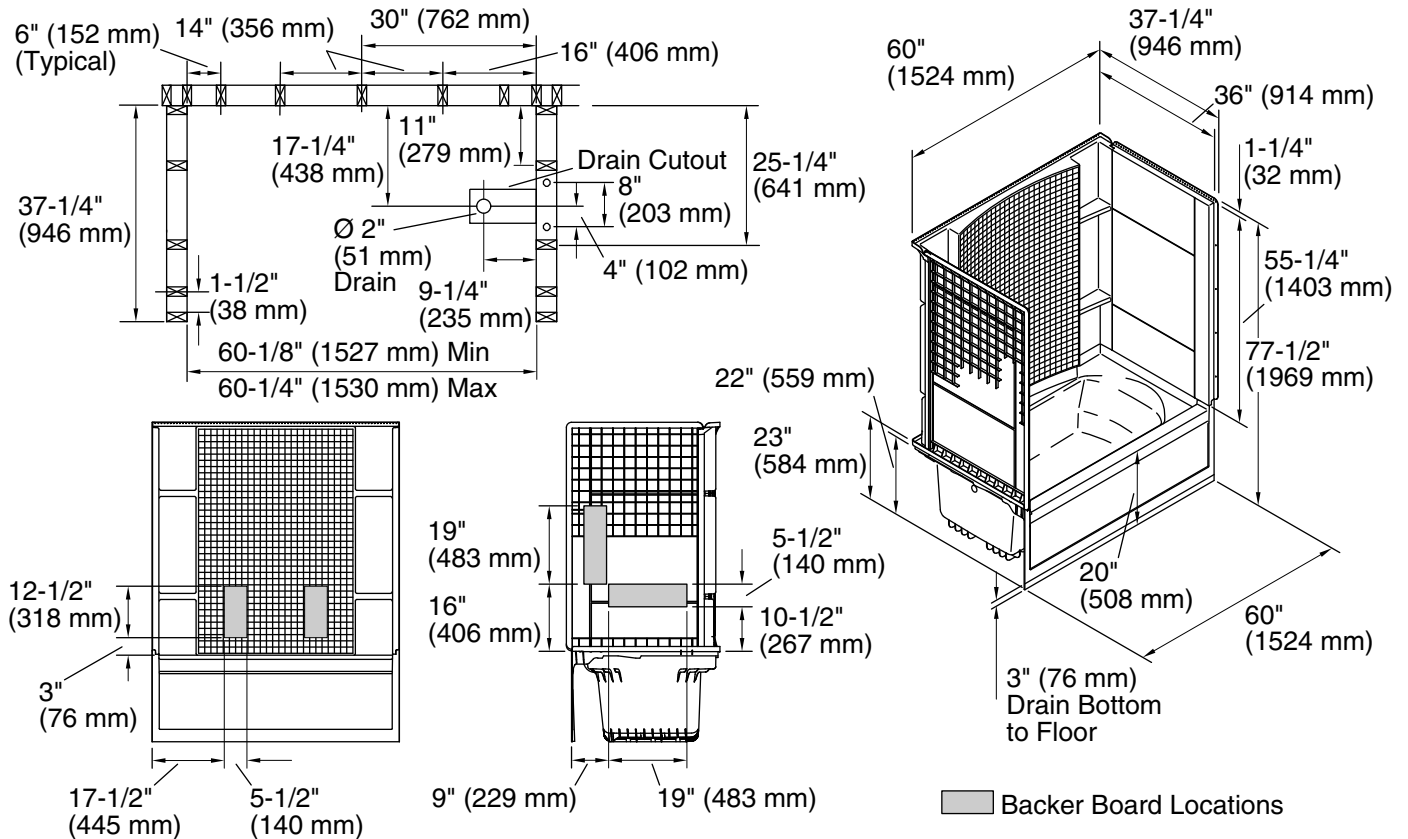
Size the drain cutout to fit the drain assembly that will be used.

End stud positioning is critical if nailing-in flanges are to be used.

Double studding is recommended for pivot shower door installations.

Studs should be positioned roughly as shown.

Attach grab bars at the specified backer board locations only.



Product Diagram