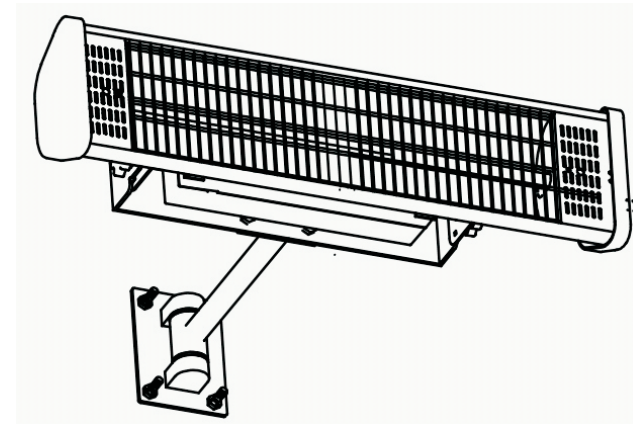




OWNER'S MANUAL
WALL MOUNT PATIO HEATER
MODEL#HLI-3W

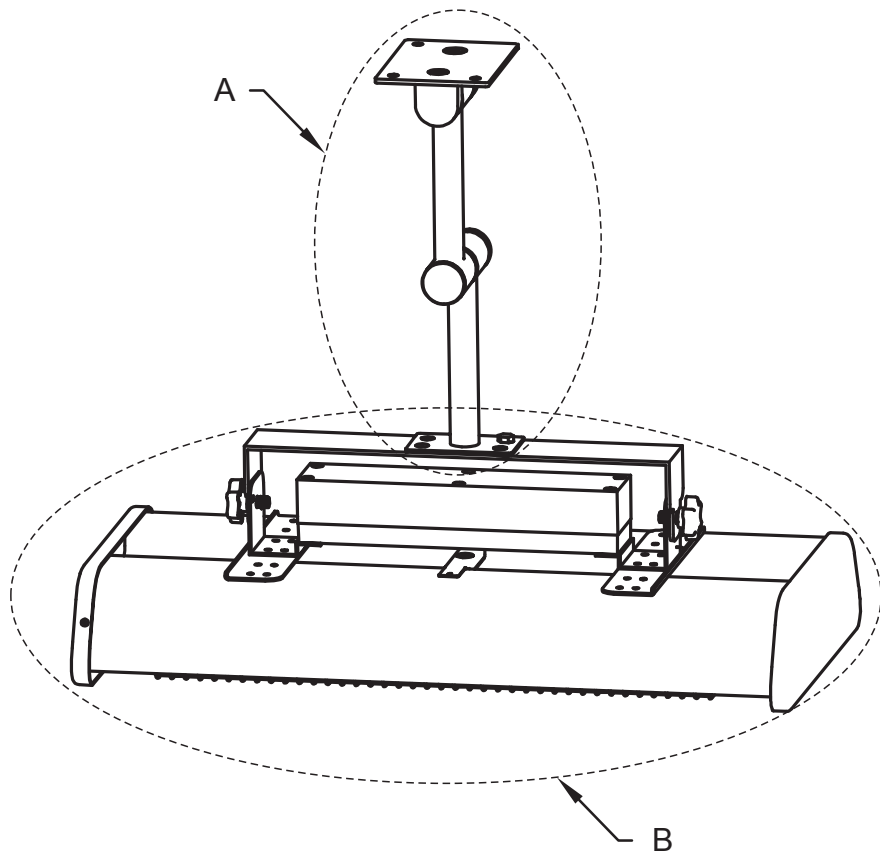


ATTACH YOUR RECEIPT HERE

SERIAL#

PURCHASE DATE

Questions, problems, missing parts ? DO NOT RETURN,
call our customer service department at 1-888-775-1330,
7 a.m. 4 p.m., MST Monday to Friday







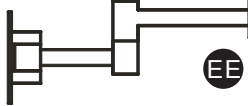

SAFETY INFORMATION

Please read and understand this entire manual before attempting to assemble, operate or install the product. If you have any questions regarding the product, please call customer service at 1-888-775-1330, 7 a.m. - 4 p.m., MST, Monday - Friday.

This manual contains important information about the assembly, operation and maintenance of this patio heater. Keep this manual for future reference and to educate new users of this product. This manual should be read in conjunction with the labeling on the product. Safety precautions are essential when any mechanical or propane fueled equipment is involved. These precautions are necessary when using, storing, and servicing. Using this equipment with the respect and caution demanded will reduce the possibilities of personal injury or property damage.

PART	DESCRIPTION	QUANTITY
A	WALL BRACKET	1
B	HEATER	1

HARDWARE CONTENT

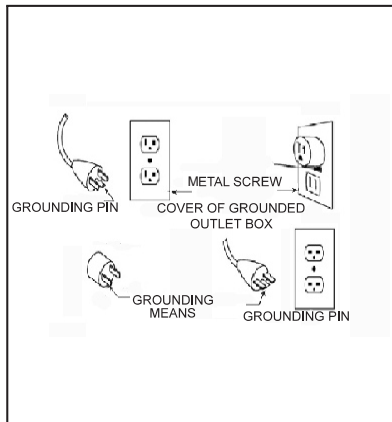
 <p>AA</p> <p>Screws M6x10x4PCS</p>	 <p>BB</p> <p>Nuts M6x10x4PCS</p>	 <p>CC</p> <p>Spanner M6x1PC</p>
 <p>DD</p> <p>Remote Control x1PC With Battery x1PC</p>	 <p>EE</p> <p>Bracket x 1 pc</p>	 <p>FF</p> <p>Expansion screw M6*50 4PCS</p>

SAFETY WARNING :

When using this electric unit, basic safety precautions should always be followed to reduce the risk of fire, electric shock and/or injury.

1. Read ALL instructions before using this unit.
2. CAUTION: Risk of Electric Shock. DO NOT open or try to repair the heater yourself. Only an electrician or qualified person should maintenance this unit.
3. This heater may get hot when in use. To avoid burns, DO NOT let bare skin touch hot surfaces.
4. Keep combustible materials, such as furniture, pillows, bedding, paper, clothes, and curtains at least 3 ft from the front of the heater and keep them away from the sides, top, and rear. DO NOT place towels or other objects on the heater.
5. Extreme caution is necessary when any heater is used by or near children or the pets. Do not leave the heater unattended while in operation.
6. DO NOT operate any heater with a damaged cord or after the heater malfunctions, or has been dropped or has been damaged in any manner, Return heater to authorized service or examination, electrical or mechanical adjustment, or repair.

7. This heater is not intended for use in bathrooms, laundry areas and similar indoor locations. Never locate heater where it may fall into a bathtub or other water container. To protect against electrical hazards, DO NOT immerse in water or other liquids.
8. DO NOT touch the control panel or plug in with wet hands.
9. DO NOT run cord under carpeting. DO NOT cover cord with throw rugs, runners, or similar coverings. Arrange cord away from traffic area and where it will not be tripped over.
10. DO NOT insert or allow foreign objects to enter any ventilation or exhaust opening as this may cause an electric shock or fire, or damage the heater.
11. To prevent a possible fire, DO NOT block the air intakes or exhaust in any manner, DO NOT use on soft surfaces, like a bed, where openings may become blocked.
12. A heater has hot and arcing or sparking parts inside. DO NOT use in areas where gasoline, or other flammable materials are present.
13. The heater is not intended for use with an extension cord. Plug the cord directly into an appropriate wall receptacle. If an extension cord is used, it must be a minimum 14 AWG and rated not less than 1875 watts
14. WARNING: Risk of fire—keep combustible material such as furniture, papers, clothes, and curtains at least 3 feet (0.9) from the front of heater and away from the sides and rear.
15. CAUTION: Mount with bottom of heater at least 2.4 m above floor or grade.
16. 50mm from the side wall, 500mm from the ceiling, Installation height above 2.4M
17. To avoid fire or shock hazard, plug the unit directly into a 120V electrical outlet,
18. To disconnect heater, turn controls OFF, then remove plug from outlet. Pull firmly on plug, DO NOT unplug by pulling on the cord.
19. Always unplug the unit before moving or whenever the heater is not in use. Use only for intended household use as described in this manual. Any other use not recommended by the manufacturer may cause fire, electric shock, or injury to persons. The use of attachments not recommended or sold by unauthorized dealers may cause hazards.
20. DO NOT attempt to repair or adjust any electrical or mechanical functions on this unit, doing so will void your warranty, The inside of the unit contains no user serviceable parts. Only qualified personnel should perform all servicing only.
21. Connect to properly grounded outlets only.
22. Children should be supervised to ensure that they do not play with the appliance.



WARNING:

This heater has a voltage rating of 120 volts. The cord has a plug as shown in A. An adapter as shown in C is available for connecting three-blade grounding-type plugs to two-slot receptacles. The grounding plug extending from the adapter must be connected to a permanent ground such as a properly grounded outlet box. The adapter should not be used if a three-slot grounded receptacle is available.

SPECIFICATIONS

Voltage Rating	120V (60Hz)
Power Consumption	1500W
Unit Size	19. 68in x 3. 14in x 5. 51in
Unit Weight	6.6 lbs

PREPARATIONS

Estimated Assembly Time:10 Minutes

Tools Required for Assembly (not included):Wrench and Screw Driver

Before beginning assembly of product, make sure all parts are present. Compare parts with package contents list and hardware contents above. If any part is missing or damaged, do not attempt to assemble the product. Contact our customer service for replacement parts at 1-888-775-1330, 7 a.m. 4 p.m., MST Monday to Friday.

ASSEMBLY INSTRUCTIONS

Step 1: Fix the heater (B) with the bracket (EE) with 4pcs M6X10MM screws (AA) and Nuts(BB) tightly.

Hardware Used

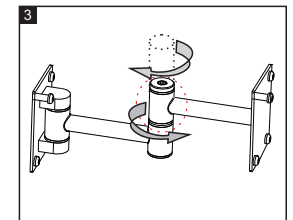
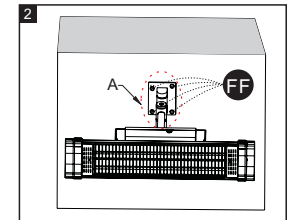
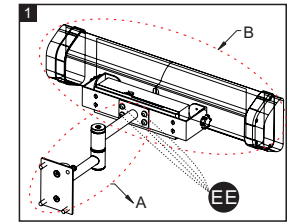
- AA** M6×10mm Screws ×4
- BB** M6×10mm Nuts ×4

Step 2: Fix the bracket(A) on the the wall with 4pcs M6*50 expansion screws(FF) tightly.

Hardware Used

- FF** M6×50mm Expansion Screws ×4

Step 3: Adjust the bracket(EE) for the ideal direction. Typically, the direction is in 30°-45° from horizon. Then tight the knobs at both ends to lock the direction.



Only use the halogen heater on a firm solid vertical wall where the Mounting Bar is in contact with the wall.

CARE AND MAINTENANCE MAINTENANCE

Unplug the unit and let it cool completely.

- To keep this unit clean, the outer shell may be cleaned with a soft, damp cloth. You may use a mild detergent if necessary. After cleaning, dry the unit with a soft cloth.
- DO NOT use alcohol, gasoline, abrasive powders, furniture polish, or rough brushes to clean the heater. This may cause damage or deterioration to the surface of the heater.
- Although this heater is outdoor approved, DO NOT immerse the heater in water for your safety.

Wait until the unit is completely dry before use.

IMPORTANT

This product is inspected, tested and carefully packaged to minimize the chance of damage during shipment. If a part (excluding light bulbs and fuses*) within one year from the date of purchase proves to be defective in material or fabrication under normal use, the part will be repaired or replaced. The Company's obligation under the warranty is to replace or repair defective parts at our discretion. Any expenses or damage resulting from the installation, removal or transportation of the product will be the responsibility of the owner and are not covered by this warranty. The owner assumes all other risks arising out from the use or misuse of the product. The warranty will be void if the product damage or failure is deemed by the Company to be caused by accident, alteration, misuse, abuse, incorrect installation or removal, or connection to an incorrect power source by the owner. The Company neither assumes, nor authorizes any person or entity to assume for it any obligation or liability associated with its products. * Light bulbs and fuses are not covered under this warranty.* We are also not responsible if there is damaged cause by the weather or salt water elements if the customer does not protect it as specified in the owners manual. If you have any questions regarding the warranty or service, please call our toll free number: 1-888-775-1330.

AZ PATIO HEATERS
8550 N 91 AVE, SUITE C-25
PEORIA, AZ 85345
WWW.AZPATIOHEATERS.COM

Printed in China

STORAGE

When not in use, store this unit in a cool, dry location. To prevent dust and dirt build-up, use the original packaging to repack this unit.

TROUBLESHOOTING

PROBLEM	POSSIBLE CAUSE	CORRECTIVE ACTION
The unit does not operate properly	1.The power cord is not plugged into an electrical outlet 2.The power switches are not turned on	1.Plug in 2.Choose a setting

ONE YEAR LIMITED WARRANTY

Receipt required for warranty

Do not return this product to the store where you purchased it.

Please call 1-888-775-1330 for assistance.