

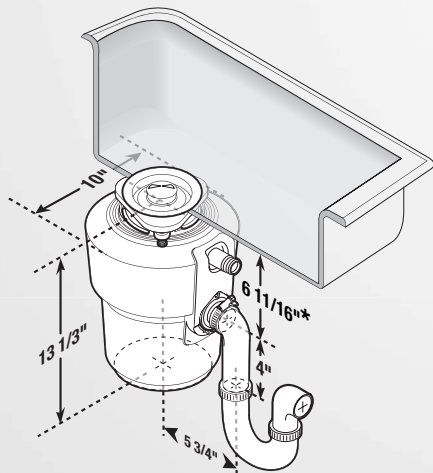


Evolution Series™

Grind More. Hear Less.™

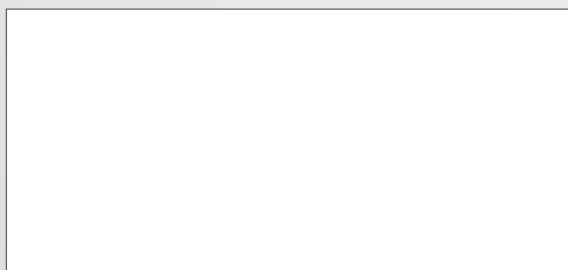


Dimensions



* Add 1/2" when stainless steel sinks are used.

Job Specifications



Food Waste Disposers

Evolution Cover Control™

Ideal for those seeking the extra assurance of covered operation.

Submittal Sheet

Ideal for those seeking the extra assurance of covered operation.

- **SoundSeal Plus™** technology reduces disposer noise by at least 60% vs. standard disposers.
- **MultiGrind™** technology delivers 2 stages of grind vs. 1 stage in standard disposer.
- Features exclusive patent-pending **Magnetic CoverStart™** Activation. The cover goes in before the disposer goes on.
- Includes sink baffle.

Sample Specification

Food Waste Disposer(s) shall be InSinkErator Model Evolution Cover Control with MultiGrind and SoundSeal Plus technologies, 3/4 HP motor, Stainless Steel Grind Chamber and components.

Warranty:
7-Year parts and in-home service.

* The complete InSinkErator warranty is included in the Care & Use Booklet packed with each unit.

Specifications

Type of Feed	Batch Feed
On/Off Control	Cover Control
Motor	Single Phase
HP	3/4
Volts	120
HZ	60
RPM	1725
Amp. (Avg. Load)	8.1
Time Rating	Intermittent
Lubrication	Permanently Lubricated Upper & Lower Bearings
Shipping Weight (Approx.)	23.5 lbs
Unit Finish	Gray TEN-1706
Overall Height	13-1/3"
SoundSeal Plus Technology	Anti-Vibration Mount™ Anti-Vibration Tailpipe Mount™ Sink Baffle Multi-Layer SoundLimiter™ Insulation
MultiGrind Technology	GrindShear Ring™
Grind Chamber Capacity	40 oz.
Motor Protection	Manual Reset Overload
Average Water Usage	1/4 Gallon Per Person Per Day
Average Electrical Usage	1/2 KWH Per Month
Drain Connection	1-1/2" Anti-Vibration (Hose Clamp)
Dishwasher Drain Connection	Yes



EMERSON
Appliance Solutions

The Emerson logo is a trademark and service mark of Emerson Electric Co. InSinkErator is a division of Emerson Electric Co.

1-800-558-5700
www.insinkerator.com