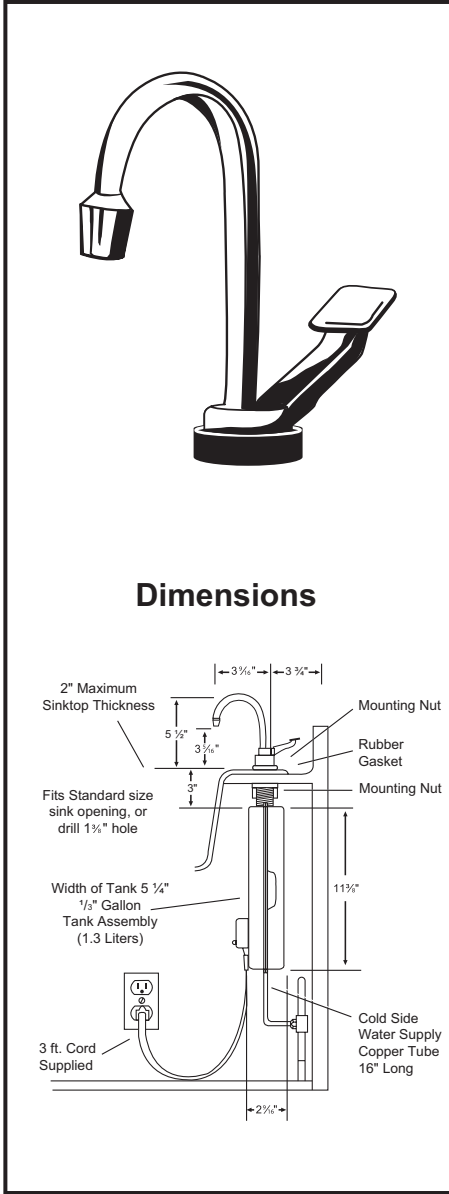


IN-SINK-ERATOR®

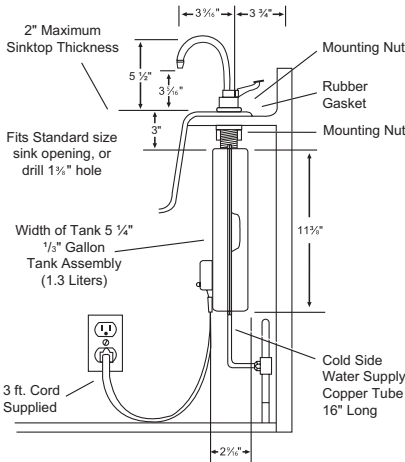
INSTANT HOT WATER DISPENSERS

Hot1

Instant Hot Water Dispenser



Dimensions



Submittal Sheet

This model offers you these features & benefits:

- Hot Only – 1/3 gallon tank delivers 40 cups of near-boiling 190°F water per hour
- 1-Year We Come To You™ In-Home Service Warranty*
- 115 volts, 500 watts, 4.3 amps
- Available in polished stainless steel with black handle

* *The complete In-Sink-Erator warranty is included in the Installation, Care & Use Booklet packed with each unit.*

Sample Specification

- Capacity: 1/3 gallon tank dispenses 40 cups of 190°F water per hour
- Electrical: 115 volts A.C., 500 watts, 4.3 amp heating element with grounded three (3) prong plug
- Thermostat: Snap action, adjustable from 160°F to 200°F (factory pre-set at approximately 190°F)
- Construction: Copper tank, valve, and tubing
- Valve: Instant, self-closing
- Recommended Supply Pressure: 30-125 psi
- Shipping Weight: Approximately 4 lbs.

Specifications

Capacity	1/3 gallon tank dispenses 40 cups of 190°F water per hour
Electrical	115 volts A.C., 500 watts, 4.3 amp heating element with grounded three (3) prong plug
Thermostat	Snap-action, adjustable from 160°F to 200°F (factory pre-set at 190°F)
Valve	Instant, self-closing
Recommended Supply Pressure	30-125 psi
Shipping Weight	Approximately 4 lbs.
Required Hole Diameter	1 1/4" - 1 1/2"



Job Specifications



EMERSON™
Appliance Solutions

The Emerson logo is a trademark and a service mark of Emerson Electric Co. In-Sink-Erator is a division of Emerson Electric Co.