

Tub and Shower Trim
3-2452BP
Also 3-379

Features

- Solid brass construction
- Face plate with ADA compliant diverter pull-knob
- ADA compliant handle
- 2.5 gallons (9.5 liters) per minute maximum flow rate showerhead
- Intended for use with Newport Brass rough valve(s) as specified (Required Accessory)

Codes / Standards Compliance

Meets or exceeds the following at date of manufacture:

- ASME A112.18.1M/CSA B125.1
- IAPMO/UPC
- ADA
- IPC
- ICCANSI A117.1
- ASSE 1016
- Energy Policy Act of 1992
- All applicable US Federal and State material regulations

Colors / Finishes

- 10B: Oil Rubbed Bronze
- 15: Polished Nickel
- 15S: Satin Nickel
- 26: Polished Chrome
- Other: Refer to the Newport Brass catalog for additional color/finish options.



3-379



3-2452BP

Specified Model

Model	Description	Colors / Finishes
3-2452BP	Tub and Shower Trim	<input type="checkbox"/> 10B <input type="checkbox"/> 15 <input type="checkbox"/> 15S <input type="checkbox"/> 26 <input type="checkbox"/> Other
3-379	System Control Valve Trim (Handle/Escutcheon)	<input type="checkbox"/> 10B <input type="checkbox"/> 15 <input type="checkbox"/> 15S <input type="checkbox"/> 26 <input type="checkbox"/> Other

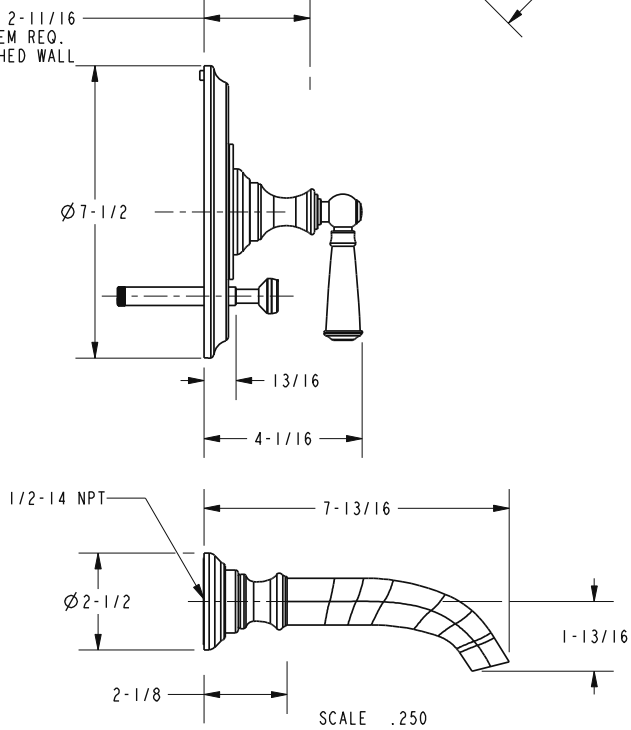
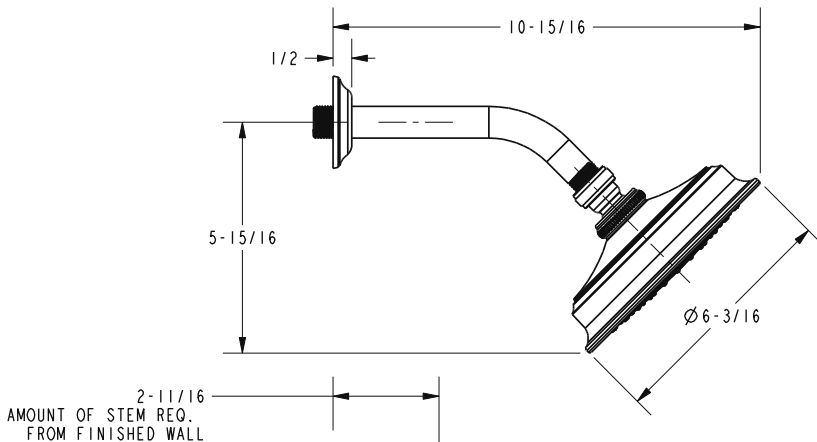
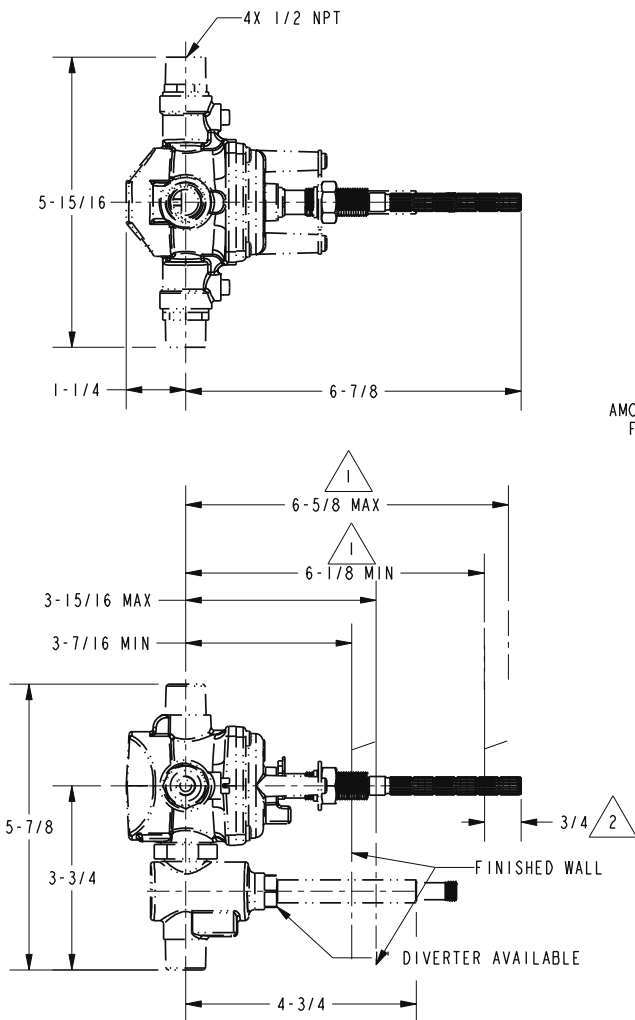
Required Accessory: Both trim, above, and rough valve, below, must be specified.

Application	Tub Only Valve*	Shower (or Tub) Valve	Tub & Shower Valve	Shower System Valve	Control Valve
Description	2-Cartridge Assembly	Balance Pressure (BP)	BP w/ Diverter	Thermostatic	Diverter (3/4 port)
Inlet/Outlet Size	1/2"	1/2"	1/2"	3/4"	1/2"
Part Number	<input type="checkbox"/> NA	<input type="checkbox"/> NA	<input type="checkbox"/> 1-595	<input type="checkbox"/> NA	<input type="checkbox"/> 1-617
Image					

Product Specification:

Newport Brass single-control Tub and Shower Trim shall be of solid brass construction. Tub and Shower Trim shall include showerhead with arm and flange, faceplate, and ADA compliant handle. Tub and Shower Trim shall be Newport Brass Model 3-2452BP/____ and Newport Brass rough valve shall be 1-595. [System Control Valve Trim (Handle/Escutcheon) shall be 3-379/___ and Control Valve (Diverter) shall be 1-617.]

Product Dimensions *(units are in inches)*



NOTES:

- 1 CUT STEM TO DIMENSION SHOWN.
- 2 CUT ALL-THREAD 3/4" SHORTER THAN STEM