

SPEAKMAN COMPANY

S-2280 Installation, Maintenance & Operation Instructions

ANYSTREAM® SHOWERHEAD

DESCRIPTION

Polished chrome plated ANYSTREAM wall mounted showerhead. Rigid brass ball. Spray adjusting T-handle, 2-1/4" face. 4 Lexan® deposit resisting plungers with 32 spray channels. Drilled for but less mounting bolts. Water conserving pressure compensating AUTOFLO® device reduces flow to 2.5 GPM/9.46LPM maximum, to meet existing ANSI A112.18.1 Standard. Vandal resistant standard. 1/2" NPT back inlet.

SPECIFICATIONS

SUPPLY INLET: 1/2" NPTF
 FLOW RATE: 2.5 GPM/9.46LPM
 MAXIMUM
 FLOW CONTROL: VARIABLE
 SHIPPING WEIGHT: 2.1 LBS.

OPTIONS

◇ AP - Anchor Plate Assembly With Mounting Screws	◇ BJ - Ball Joint
◇ 2 - uses the S-2252 ANYSTREAM Showerhead	◇ S-2280-E15 – Low Flow Head (1.5 GPM/ 5.7 LPM)

INSTALLATION

Apply pipe thread tape in a clockwise direction to threads of supply nipple. Pipe joint compound may be used instead of tape. Turning in a clockwise direction, thread the showerhead on to the supply nipple. Tighten & position with a strap wrench or a pair of soft jaw pliers. Mark and drill holes for mounting screws (not provided). Note: If necessary, remove showerhead and use proper screw anchors (4) (not provided). Turn the water supply on and check for leaks. Tighten mounting screws (4).

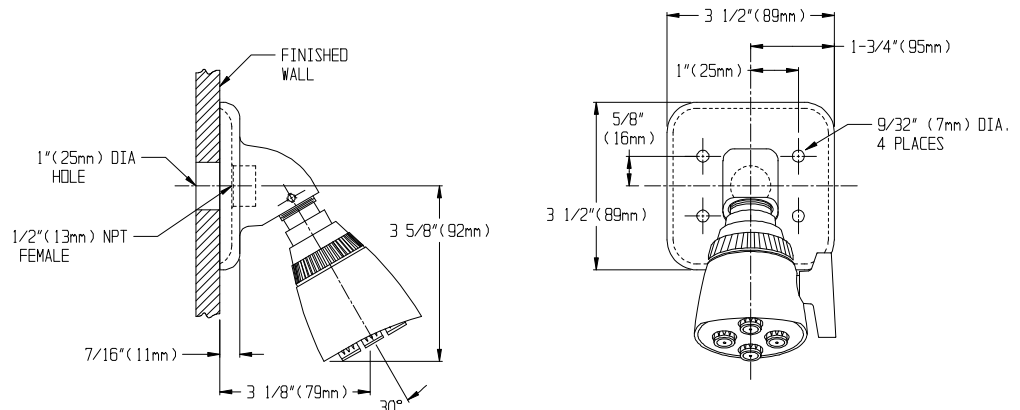
OPERATION

To adjust the spray pattern of the showerhead, simply rotate the handle to the desired spray (needle spray, gentle rain or full flood).

MAINTENANCE

The gleaming finish of your SPEAKMAN WATERSAVER® showerhead can be cleaned by using mild soap and warm water. Dry immediately with a soft, clean cloth for best results. The flow control device limits water flow to 2.5 gallons per minute. The small orifice may become clogged with scale and other minerals found in potable water. To clean the flow regulator, simply loosen the side set screw and remove the shower head from the flanged elbow, remove the flow control from the brass retainer and clean as necessary.

ROUGH-IN MEASUREMENTS



SPEAKMAN®