

SENTINELPRO™

SM-5000



Anti-Scald Thermostatic/ Pressure Balanced Valve

GENERAL SPECIFICATION

Speakman SentinelPro concealed anti-scald thermostatic/pressure balanced valve. Chrome plated brass wall plate with metal index. Chrome plated metal lever handle. Adjustable temperature limit stop (TLS). Factory set @ 110 F°. Brass body with integral spring check stops. Dual element thermostatic/pressure balancing cartridge. Can be installed back to back. Roughing-in template. Vandal-resistant standard. Four port valve with 1/2" female copper sweat inlets and shower outlet. 1/2" NPT female tub outlet. Furnished with 1/2" pipe plug. Meets ASME A112.18.1/CSA B125.1 & ASSE 1016 standards.

SM-5000

Anti-scald thermostatic/pressure balanced valve.

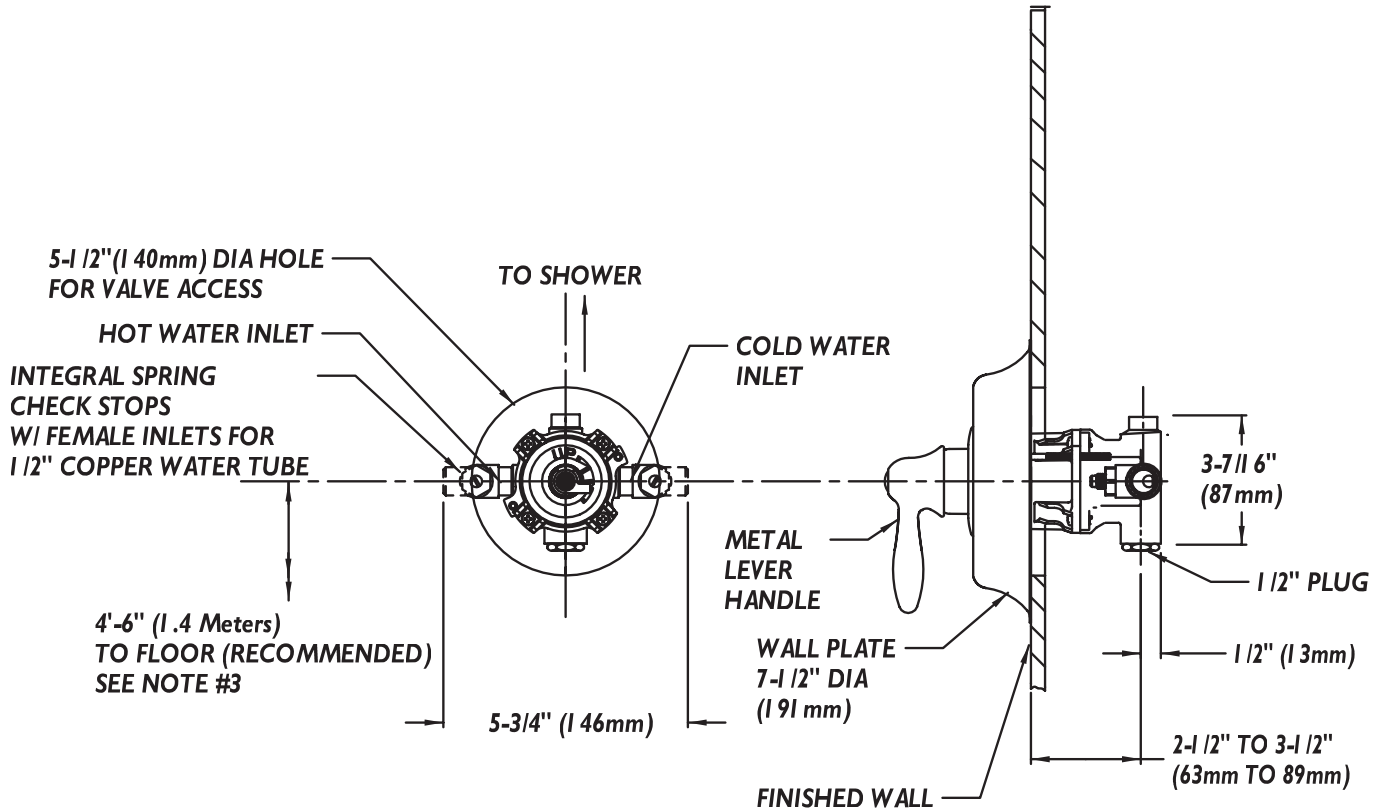
Contractor packs available upon request.

This space for Architect/Engineer approval.



ROUGH-INS

SM-5000



NOTE: 1. All dimensions are in inches (millimeters) unless otherwise specified and are subject to change without notice. 2. Unless otherwise specified all inlets and outlets are 1/2" female copper sweat. 3. For ADA mounting locations consult ADAAG, ANSI A117.1, or state regulations.