

# **SPEAKMAN COMPANY**

## **VS-120 Installation, Maintenance & Operation Instructions**

### **VERSATILE® SWIVEL CONNECTOR**

#### **DESCRIPTION**

Speakman VERSATILE® Swivel connector.

#### **SPECIFICATIONS**

SUPPLY INLET: 1/2" NPSM MALE  
OUTLET : 1/2" NPSM FEMALE  
SHIPPING WEIGHT: 0.1 LBS.

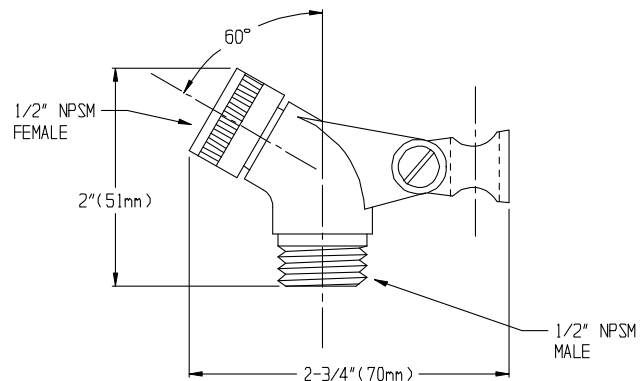
#### **INSTALLATION**

Using rubber washer(s), connect inlet to supply hose and outlet to hand held shower. Firmly hand tighten connections. Turn water supply on and check for leaks.

#### **MAINTENANCE**

The finish of your SPEAKMAN VERSATILE® VS-120 swivel connector can be cleaned by using mild soap and warm water. Dry immediately with a soft, clean cloth for best results.

#### **ROUGH-IN MEASUREMENTS**



Product improvements may cause specification and dimensional changes without notice.