

## SENTINEL MARK II®

SM-3000



## Anti-Scald Balanced Pressure Valve

### GENERAL SPECIFICATION

Sentinel Mark II concealed anti-scald balanced pressure valve. Chrome plated brass wall plate with metal index. Chrome plated brass lever handle. Independent center sleeve allows up to 1" of rough-in variation. Adjustable temperature limit stop. Brass body. Pressure balancing module. Ceramic temperature regulating module. Can be installed back-to-back. Roughing-in template. Vandal-resistant standard. Four port valve with 1/2" NPTF inlets and outlets. Furnished with 1/2" pipe plug. Meets ASSE 1016, 1989 standard.

### **SM-3000**

Anti-scald balanced pressure valve.

### OPTIONS

SUFFIX	DESCRIPTION
--------	-------------

<input type="checkbox"/> SCS	Spring check stops
------------------------------	--------------------

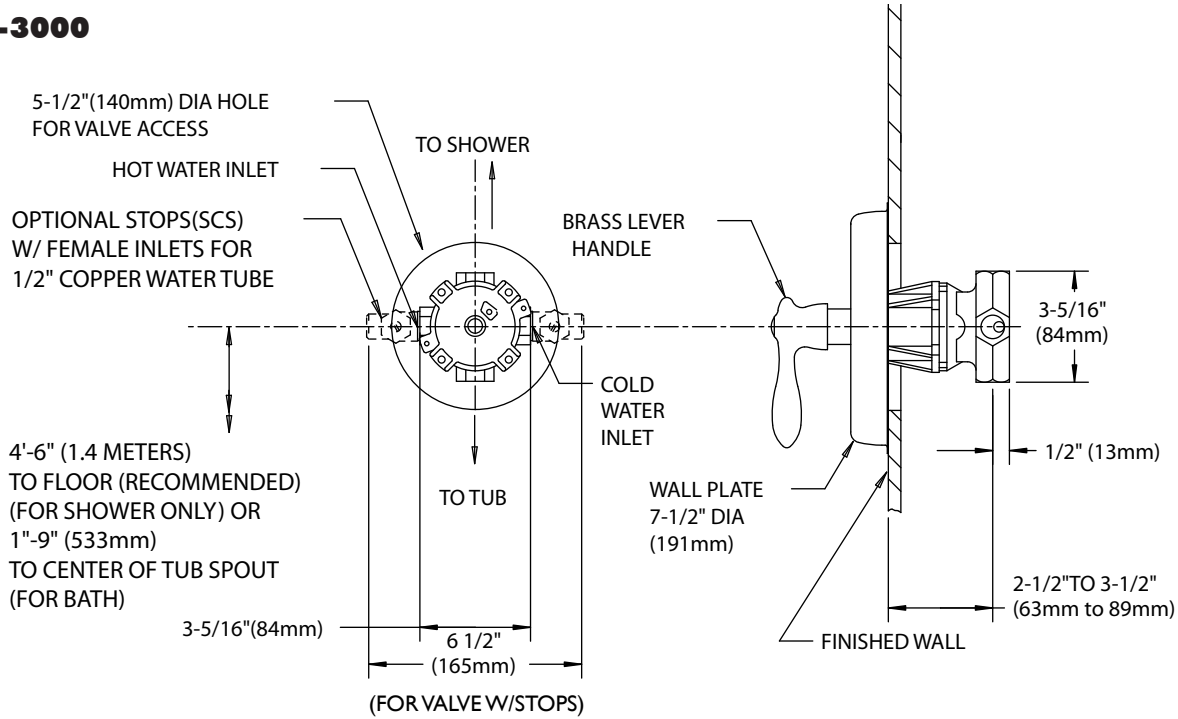
*Contractor packs available upon request.*

\_\_\_\_\_  
This space for Architect/Engineer approval.



## ROUGH-INS

### SM-3000



NOTE: Unless otherwise specified, all inlets and outlets are 1/2" NPTF. Unless otherwise specified, all dimensions are in inches and are subject to change without notice. For ADA mounting locations consult ADAAG, ANSI A117.1, or state regulations.