

SPEAKMAN COMPANY

SC-5911-IS/5912-IS Installation, Operation, & Maintenance Instructions **COMMANDER® HOSE BIBB AND MOP FAUCET**

DESCRIPTION

Speakman polished chrome plated brass COMMANDER hose bibb and mop faucet with PERFECT® valve. ¼ turn ceramic valve covered by a 25 year Silver warranty. Integral stop. Vandal-resistant four-arm handle with color-coded index. Wall flange. Vacuum breaker. ¾" threaded hose end nozzle. ½" NPTF inlet. SC-5912-IS includes 69" hose with spray outlet & wall hook.

SPECIFICATIONS

SUPPLY INLET: ½" NPT FEMALE

OUTLET: ¾" NH MALE

SHIPPING WEIGHT: 4 LBS.

VACUUM BREAKER ONLY IS APPROVED

UNDER ASSE 1001, CSA B64.1.1, & UPC

OPTIONS

◇ SCV- Self-closing Valve Assy (SC-5912-IS Only)

INSTALLATION

Install rough piping for faucet. Supply pipe should have ½" NPT male threads and protrude out from finished wall 1-¼" minimum. Slip wall flange onto supply pipe. Apply sealant to the supply pipe threads and fasten faucet to supply pipe. Tighten into position using a strap wrench. Rough piping should be fastened to a structural member behind finished wall. Slide wall flange up against the finished wall and tighten setscrew. If applicable, install wall hook and hose with spray outlet. With drain installed, turn the water supply on and check connections for leaks.

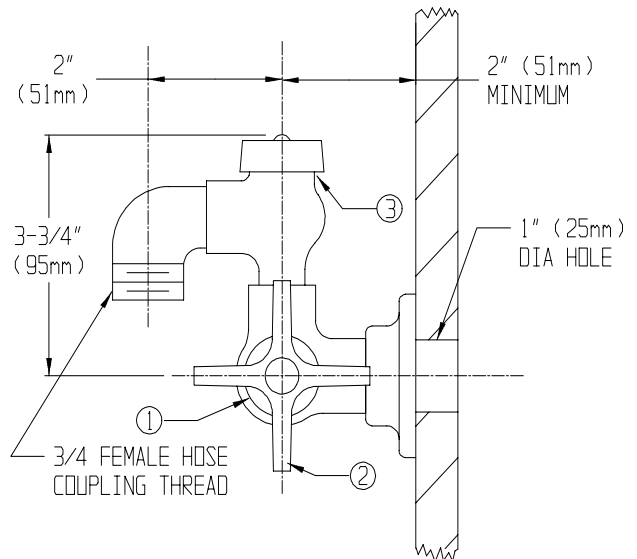
OPERATION

Simply rotate the handles ¼ turn maximum to operate the hose bib and mop faucet.

MAINTENANCE

Valves are washerless and require no routine maintenance. The gleaming finish of your SPEAKMAN COMMANDER hose bibb and mop faucet can be cleaned by using mild soap and warm water. Dry immediately with a soft, clean cloth for best results.

ROUGH-IN MEASUREMENTS



NOTES:

1. ALL DIMENSIONS ARE IN INCHES (MILLIMETERS) UNLESS OTHERWISE SPECIFIED AND ARE SUBJECT TO CHANGE WITHOUT NOTICE.

2. INLET IS ½" NPT FEMALE.

REPAIR/REPLACEMENT PARTS

<u>ITEM NO.</u>	<u>PART OR GROUP NO.</u>	<u>DESCRIPTION</u>
1	RPG05-0532	PERFECT VALVE
2	RPG04-0323-PC	HANDLE GROUP
3	RPG05-0823	VACUUM BREAKER REPAIR KIT (INTERNAL PARTS ONLY)

SPEAKMAN®

PO Box 191 Wilmington, DE 19899

Phone: 800-537-2107 Fax: 800-977-2747

Visit us on the web at www.speakmancompany.com

12/07
92-1984-R2