

**SPEAKMAN COMPANY**  
**S-3219 Installation, Maintenance & Operation Instructions**  
**COMMANDER® HEALTHCARE**  
**WALL MOUNTED DOUBLE PEDAL MIXING VALVE**

**DESCRIPTION**

Speakman polished chrome plated brass wall mounted double pedal self-closing mixing valve. Renewable operating units. ½" NPTF exposed inlets. ½" NPTF exposed outlet.

**SPECIFICATIONS**

INLET SUPPLIES: ½" NPT FEMALE.  
OUTLET SUPPLY: ½" NPT FEMALE.  
SHIPPING WEIGHT: 4.2 LBS.

**OPTIONS**

◇	USS – Union Separate Stops
◇	UAS – Union Angle Stops

**INSTALLATION**

NOTE: Reference the rough-in for supply pipe installation. Use pipe sealant on all pipe threads. Finished wall must be supported where mixing valve mounts.  
Install the rough (behind the wall) piping and valve mounting support. Complete the finished wall construction. For ease of installation, it is recommended that union connections (not supplied) be installed on the inlet supply piping. With unions installed, connect mixing valve to the supply lines. Hand tighten coupling nuts of unions. Mark the finished wall for the mixing valve mounting screws. Remove mixing valve from the supply lines. Drill necessary holes for mounting screws. Reconnect valve to supply lines and wrench tighten. Attach valve to wall using mounting screws (not provided). Connect outlet piping to the mixing valve. Once the installation has been completed, turn water supplies on and check all connections for leaks.

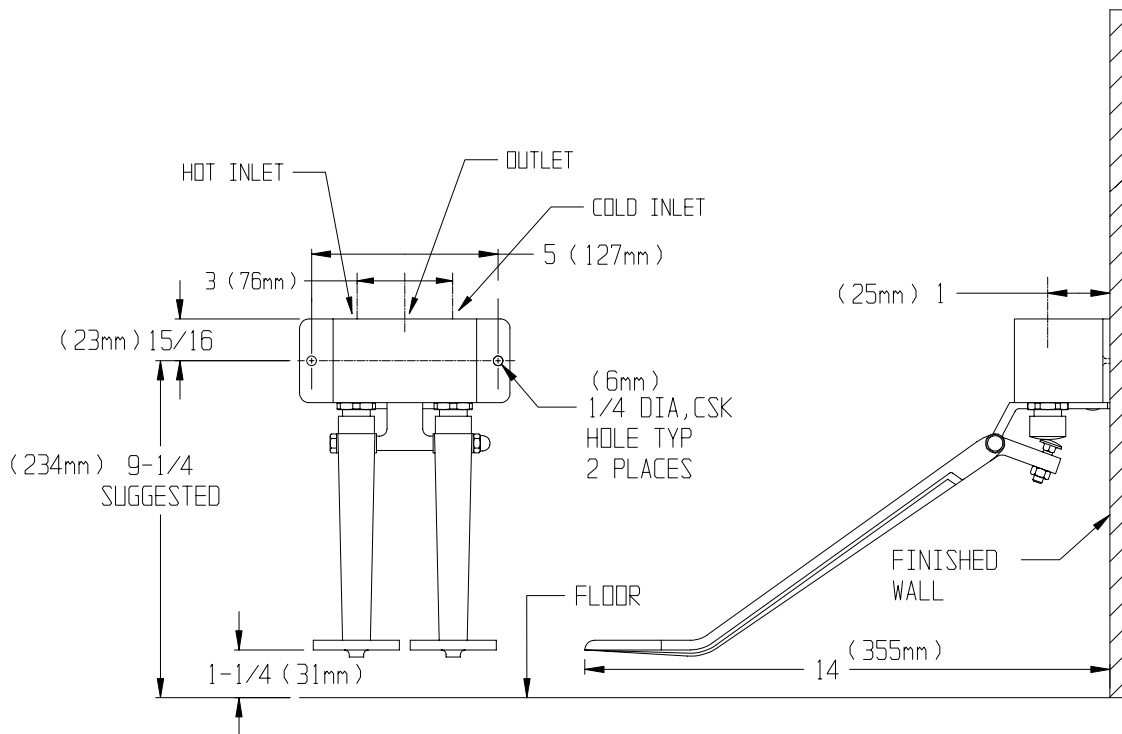
**OPERATION**

Simply press the foot pedal(s) to operate the mixing valve.

**MAINTENANCE** (CARE and CLEANING)

The gleaming finish or your SPEAKMAN COMMANDER HEALTHCARE wall mounted double pedal mixing valve can be cleaned by using mild soap and warm water. Dry immediately with a soft, clean cloth for best results.

## ROUGH-IN MEASUREMENTS



NOTES:

1. INLETS AND OUTLET ARE 1/2" NPT FEMALE
2. ALL DIMENSIONS ARE IN INCHES (MILLIMETERS) UNLESS OTHERWISE SPECIFIED AND ARE SUBJECT TO CHANGE WITHOUT NOTICE.

**SPEAKMAN<sup>®</sup>**  
 PO Box 191 Wilmington, DE 19899 Phone: 800-537-2107 Fax: 800-977-2747  
 Visit us on the web at [www.speakmancompany.com](http://www.speakmancompany.com)