

SPEAKMAN COMPANY

SE-505 Installation, Maintenance & Operation Instructions

EYESAVER® EYEWASH

DESCRIPTION

Emergency eyewash, for wall mounting, supplied with stainless steel bowl, stay-open full flow ball valve; activated by stainless steel trigger bar; adjustable volume regulator, heavy duty wall mounting plate and aerated spray outlets with individual adjustments for maximum performance.

SPECIFICATIONS

BOWL: 300 Series Stainless Steel.
 SPRAY HEADS: (2) Brass, Chrome-Plated, Aerated.
 VALVE: 1/2" NPT Female Brass, Chrome-Plated.
 ACTIVATOR: Stainless Steel Trigger Bar.
 INLET: 1/2" NPT Female.
 PLATE: Cold-Rolled Steel, Painted Safety Green.
 SHIPPING WEIGHT: 10 lb.
 EMERGENCY SIGN: 7-7/8" x 7-7/8" Plastic Wall Sign.

OPTIONS

◇ AL1 (Air Horn Alarm)	◇ HS (Hand-held Spray)	◇ SSBV2 (1/2" Stainless Steel Valve)
◇ AL2 (Electrical Alarm)	◇ PT (P-Trap)	◇ ILS (In-Line Strainer)
◇ AL3 (Electrical Alarm)	◇ SGN4 (Eye Wash Floor Sign)	◇ VPL (Vapor Proof Light)
◇ AL2-C1D2 (Electrical Alarm / Haz. Area)	◇ FPV (Anti-Freeze Protection Valve)	◇
◇ AL3-C1D2 (Electrical Alarm / Haz. Area)	◇ SPV (Anti-Scald Protection Valve)	◇
◇ FLW (Flow Switch)	◇ HFO (Hand & Foot Operation)	◇

INSTALLATION

Review drawing (as shown on other side) to assure proper installation. The unit should be mounted to a structural member that will ensure structural rigidity. Use appropriate wall anchors and be sure the wall bracket is level to ensure proper flow pattern, and to avoid unnecessary water spillage. Connect a water supply to the unit (use pipe sealant on all joints) that is a 1/2" minimum uninterrupted source of potable water. Failure to use potable water can result in emergency units producing impure or contaminated water causing possible further injury. The drain tailpiece or waste should be connected to an adequate drain in compliance with local plumbing codes. This unit is supplied with a volume control that can control the amount of water delivered, even at higher pressures. This should be set after unit is completely installed so that streams from spray outlets converge in the middle of the eyewash bowl.

OPERATION

The eyewash is activated by pushing the trigger bar back 90°. Once the unit is activated, water will discharge from the spray outlets until the trigger bar is manually pulled back to the off position

TESTING PROGRAM

The American National Standards Institute (ANSI) states that all safety emergency equipment shall be activated on a weekly basis to flush the line and verify proper operation. Speakman Company furnishes a testing record tag (91-0635) with each unit. On this tag the date of inspection and the inspectors initials should be noted.

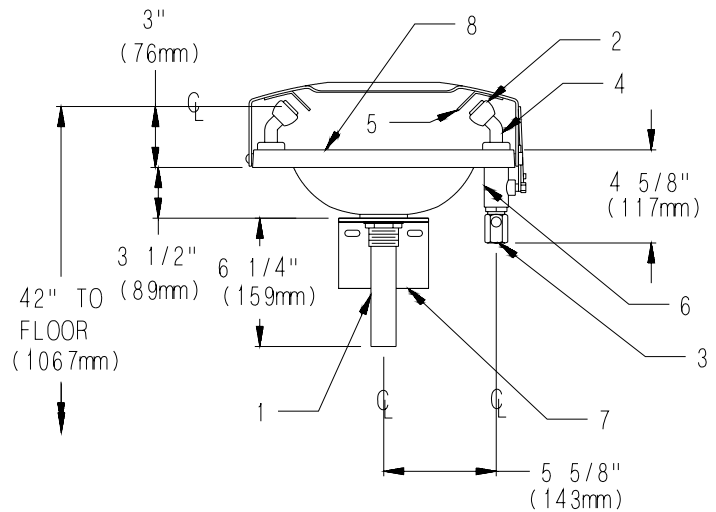
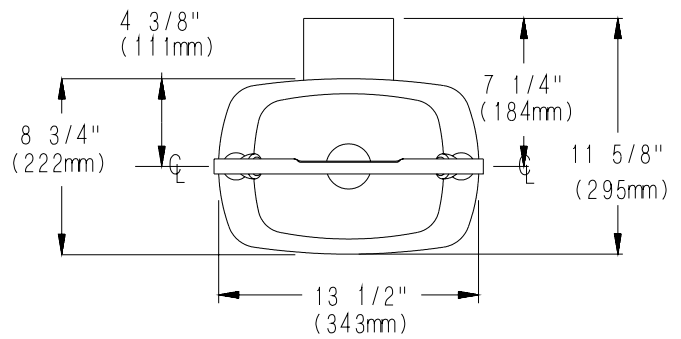
MAINTENANCE

The valve and the eyewash are the only portion of the unit that may require maintenance. Should you need parts to repair this unit, please reference the parts listing below for correct part numbers. Before any maintenance is done *be sure to shut the water supply off.*

WARNING: Use only genuine Speakman parts when repairing or replacing components. To order parts call 1-800-537-2107.

SE-505 REPLACEMENT/REPAIR PARTS

<u>ITEM</u>	<u>PART/GROUP #</u>	<u>DESCRIPTION</u>
1	G24-0088-PC	Strainer Drain
2	05-1177-PC	Aerator Assy.
3	G20-1720-RCP-P	1/2" Volume Control
4	42-0242	Nozzle Outlet
5	10-0227	Spray Shield
6	20-0953	1/2" Ball Valve Brass RNP
7	56-0143-PNT	Bowl Bracket.
8	G68-0071	Small S/S Bowl



FLOW DATA

EYEWASH:

FLOW PRESSURE PSI (BAR)	30 (2.07)
FLOW RATE GPM (LPM)	3 (11)

NOTE: This unit should be connected to an uninterrupted source of potable water, with a minimum flowing pressure of 20 PSI and a maximum static pressure of 125 PSI.

Note: All units meet existing ANSI Z358.1 2004 Standards and OSHA Rules. Product improvements may cause specification and dimensional changes without notice.

SPEAKMAN®

PO Box 191 Wilmington, DE 19899 Phone: 800-537-2107 Fax: 800-977-2747
Visit us on the web at www.speakmancompany.com