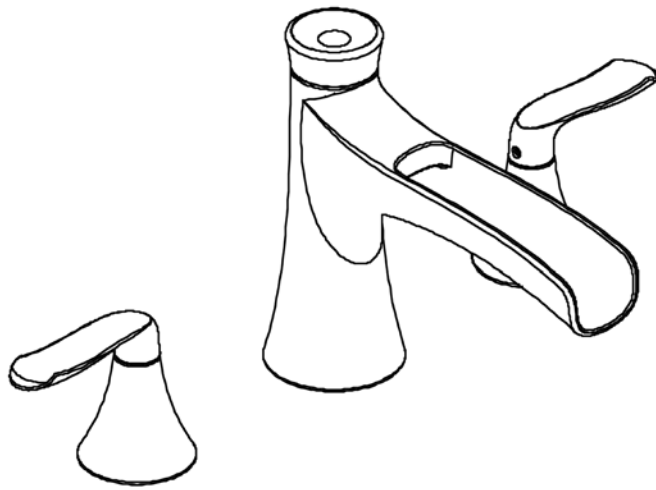


SPEAKMAN CASPIAN™

Two Handle Roman Tub Faucet SB-1231

SPECIFICATION



FEATURES:

- ¼ turn ceramic cartridge
- 3-hole installation
- Contemporary style

COMPLIANCE:

- Certified to ASME A112.18.1/CSA B125.1 standards

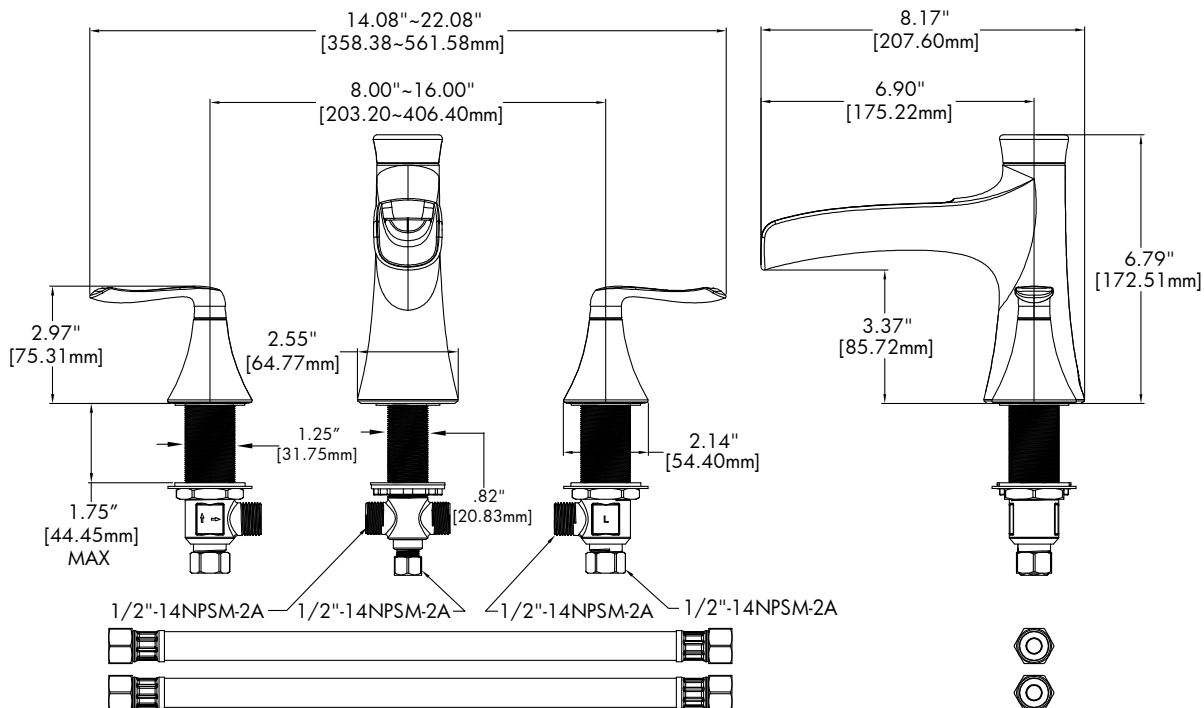
AVAILABLE FINISHES:

ADD SUFFIX TO MODEL #

- Polished Chrome (standard)
- Brushed Nickel -BN
- Polished Nickel -PN

WARRANTY:

- 1 year limited



NOTE: 1. All dimensions are in inches (millimeters) unless otherwise specified and are subject to change without notice.

THIS SPACE FOR ARCHITECT/ENGINEER APPROVAL.

SPEAKMAN®

400 ANCHOR MILL ROAD | NEW CASTLE, DE 19720
 P: 800-537-2107 | F: 800-977-2747
 WWW.SPEAKMANCOMPANY.COM



REVISION DATE: SEPT. 2011