

SPEAKMAN COMPANY

Rainier Collection Combination Series SM-8000-P

DESCRIPTION

Speakman Rainier Collection Combination Series unites the best products included in our Rainier Series. The combination begins with our anti-scald balanced pressure valve with integral stops, featuring a brass body and adjustable temperature limit stop. The wall plate and handle are designed with definitive Rainier Collection styling. Piston type pressure balancing/ceramic regulating cartridge assembly with built-in check valves. Meets ASME A112.18.1 / CSA B125.1 & ASSE 1016 standards

SPECIFICATIONS

SM-8000-P Anti-Scald Balanced Pressure Valve:

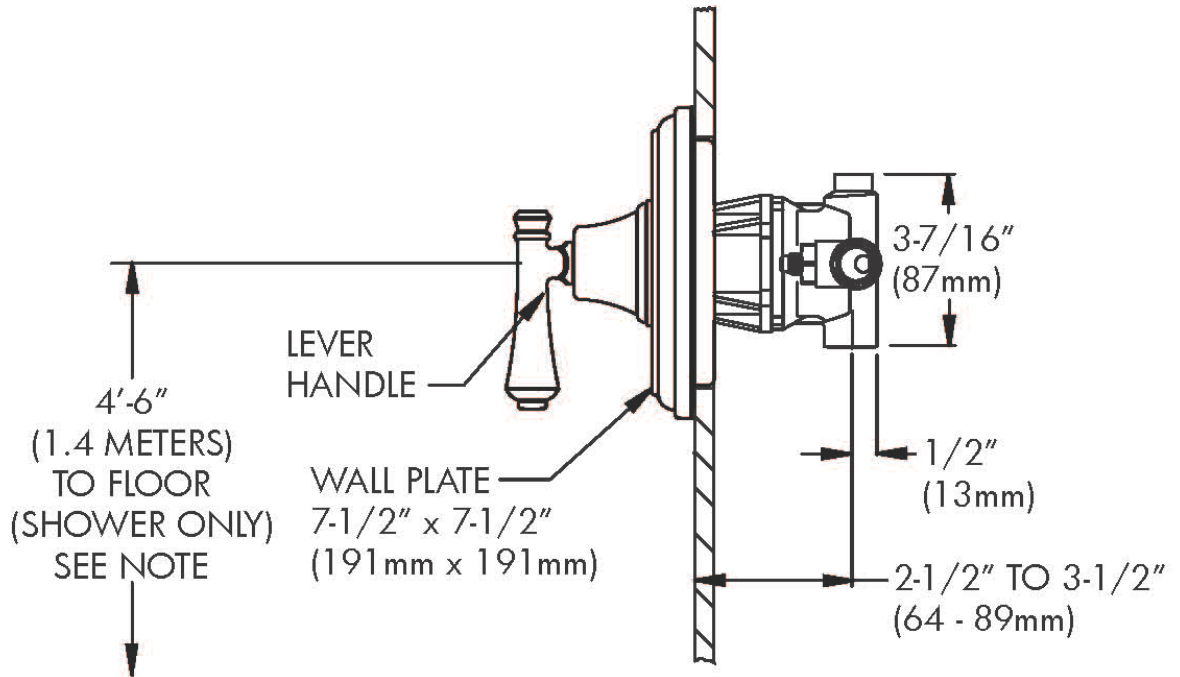
Connections: 1/2" female copper sweat inlets & shower outlet; 1/2" NPT female tub outlet

Flow Rate: For use with showerheads rated at 2.0 GPM (7.6 LPM) or higher.

INSTRUCTIONS

See individual products for installation of the components and warranty information.

ROUGH-IN



NOTE: FOR ADA MOUNTING LOCATIONS CONSULT ADAAG,
ANSI A117.1 OR STATE REGULATIONS.